

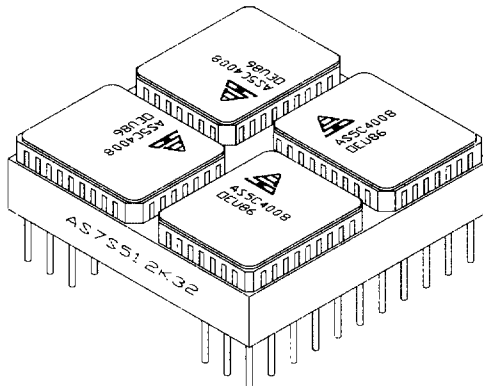


512Kx32 SRAM MODULE

ADVANCED

FEATURES

- Access times of 25, 35, 45ns
- Built in decoupling caps for low noise operation
- Organized as 512Kx32; User configurable as 1M x16 or 2Mx8
- Operation with single 5 volt supply
- Low power CMOS
- TTL Compatible Inputs and Outputs
- Packaging
 - 66 pin PGA type 1.10 inch square
 - 68 lead J leaded LCC
 - 68 lead quad flatpack

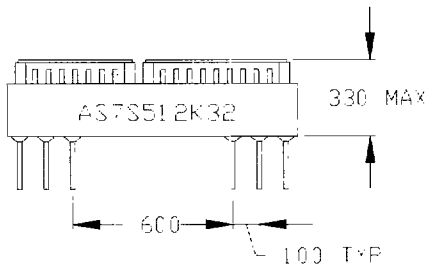
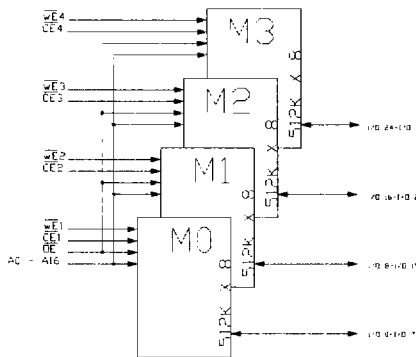
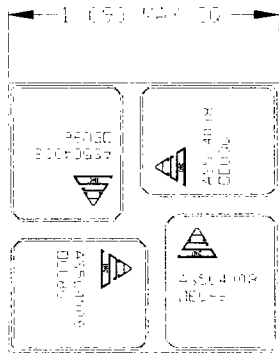


GENERAL DESCRIPTION

The Austin Semiconductor, Inc. AS7S512K32P25M is a 4 Megabit CMOS SRAM Module organized as 512Kx32-bits and user configurable to 1Mx16 or 2Mx8. Built with AS5C4008 components, the AS7S512K32 is capable of Full 883 compliance. The AS7S512K32 achieves high speed access, low power consumption and high reliability by employing advanced CMOS memory technology.

The military grade product is manufactured in compliance with the latest revision of MIL-STD-883, making the AS7S512K32P25M ideally suited for military applications.

The AS7S512K32 module is constructed using a 1.1 sq inch ceramic pin grid array substrate. This compact layout reduces space requirements for board assembly to a minimum.



PIN CONFIGURATION

I/O8	1	WE	12	I/O15	23	I/O24	34	VCC	45	I/O31	56
I/O9	2	CE2	13	I/O14	24	I/O25	35	CE4	46	I/O30	57
I/O10	3	GND	14	I/O13	25	I/O26	36	WE4	47	I/O29	58
A13	4	I/O11	15	I/O12	26	A6	37	I/O27	48	I/O28	59
A14	5	A10	16	OE	27	A7	38	A3	49	AO	60
NC	8	VCC	19	I/O7	30	A9	41	WE3	52	I/O23	63
I/O0	9	CE1	20	I/O6	31	I/O16	42	CE3	53	I/O22	64
I/O1	10	NC	21	I/O5	32	I/O17	43	GND	54	I/O21	65
I/O2	11	I/O3	22	I/O4	33	I/O18	44	I/O19	55	I/O20	66