

5mm SQUARE THIN TYPE ISOLATOR

MODEL SI-5 [] 2.140 G - T

(1) (2) (3) (4) (5)

(1) 5mm Square Lumped Element Isolator

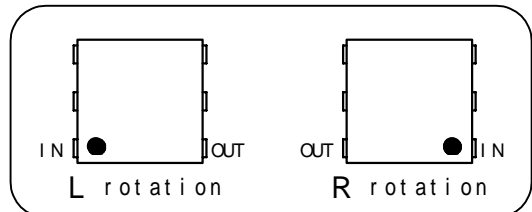
(2) Rotating Direction (R or L)

(3) Center Frequency

(4) G ; GHz

(5) T ; Taping

Blank ; Bulk



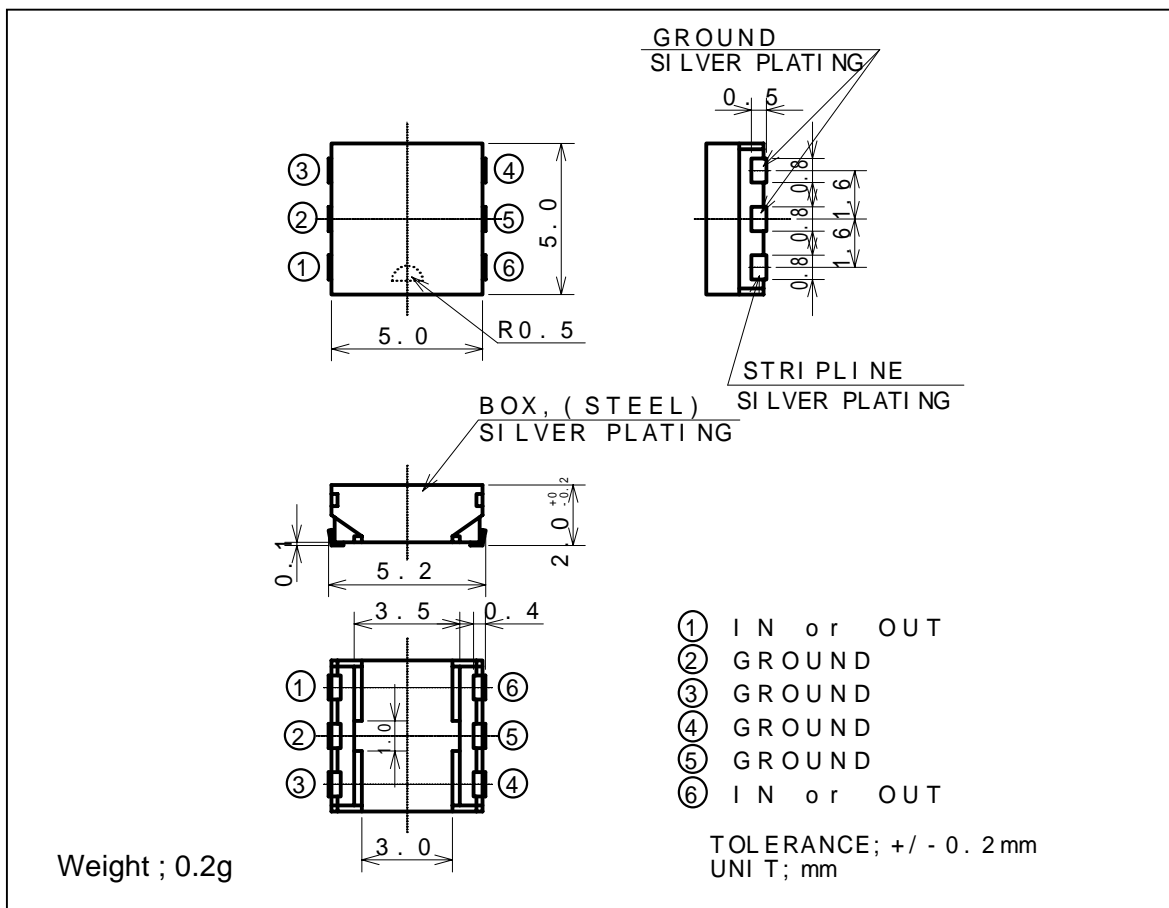
Specification

Frequency (GHz)	Ins. Loss Max. (dB)	Isolation Min. (dB)	V.S.W.R. Max.	2f Min. (dB)	3f Min. (dB)	Handling Power Max. (W)	Reflection Power Max. (W)
2.110-2.170	0.60	15	1.5	6	—	5.0	1.0

Operating Temperature(deg.C) ; -35 to +85

Impedance ; 50 ohms Typ.

Shape & Size



TAE316S