

**PLA COMPLIANT TERMINATION CONNECTORS**

**Male**

Typical part number:  
PLA03M93ST30A1

PART NUMBER	A	B	C
PLA03**00A1	1.126 (28.60)	0.408 (10.36)	0.600 (15.24)
PLA04**00A1	1.324 (33.63)	0.408 (10.36)	0.600 (15.24)
PLA06**00A1	1.718 (43.64)	0.408 (10.36)	0.600 (15.24)
PLA08**00A1	2.112 (53.64)	0.408 (10.36)	0.600 (15.24)

Plating – 0.000010 (2.54µ) gold over nickel or 0.000030 (0.75µ) gold over nickel on contacts.

\* For connection systems 1,4 and 6.

**Female**

Typical part number:  
PLA03F93ST30A1

CONTACT CODE	L	PCB THICKNESS	SCREW CODE
92	0.183 (4.65)	0.093 (2.36)	ST2
93	0.218 (5.54)	0.125 (3.18)	ST3
94	0.294 (7.47)	0.187 (4.75)	ST4
95	0.309 (7.85)	0.219 (5.56)	ST5

**PLB COMPLIANT TERMINATION CONNECTORS**

**Male**

Typical part number:  
PLB06M93ST30A1

PART NUMBER	A	B	C
PLB06**00A1	1.126 (28.60)	0.606 (15.39)	0.600 (15.24)
PLB08**00A1	1.324 (33.63)	0.606 (15.39)	0.600 (15.24)
PLB12**00A1	1.718 (43.64)	0.606 (15.39)	0.600 (15.24)
PLB16**00A1	2.112 (53.64)	0.606 (15.39)	0.600 (15.24)

Plating – 0.000010 (2.54µ) gold over nickel or 0.000030 (0.75µ) gold over nickel on contacts.

\* For connection systems 1,4 and 6.

**Female**

Typical part number:  
PLB06F93ST30A1

CONTACT CODE	L	PCB THICKNESS	SCREW CODE
92	0.183 (4.65)	0.093 (2.36)	ST2
93	0.218 (5.54)	0.125 (3.18)	ST3
94	0.294 (7.47)	0.187 (4.75)	ST4
95	0.309 (7.85)	0.219 (5.56)	ST5

**PLC COMPLIANT TERMINATION CONNECTORS**

**Male**

Typical part number:  
PLC09M93ST30A1

PART NUMBER	A	B	C
PLC09**00A1	1.126 (28.60)	0.802 (20.37)	0.600 (15.24)
PLC12**00A1	1.324 (33.63)	0.802 (20.37)	0.600 (15.24)
PLC18**00A1	1.718 (43.64)	0.802 (20.37)	0.600 (15.24)
PLC24**00A1	2.112 (53.64)	0.802 (20.37)	0.600 (15.24)
PLC30**00A1	2.506 (63.65)	0.802 (20.37)	0.600 (15.24)

Plating – 0.000010 (2.54µ) gold over nickel or 0.000030 (0.75µ) gold over nickel on contacts.

\* For connection systems 1,4 and 6.

\*\*Asterisks determine gender of connector, M for male, F for female and contact code 92, 93, 94 or 95.

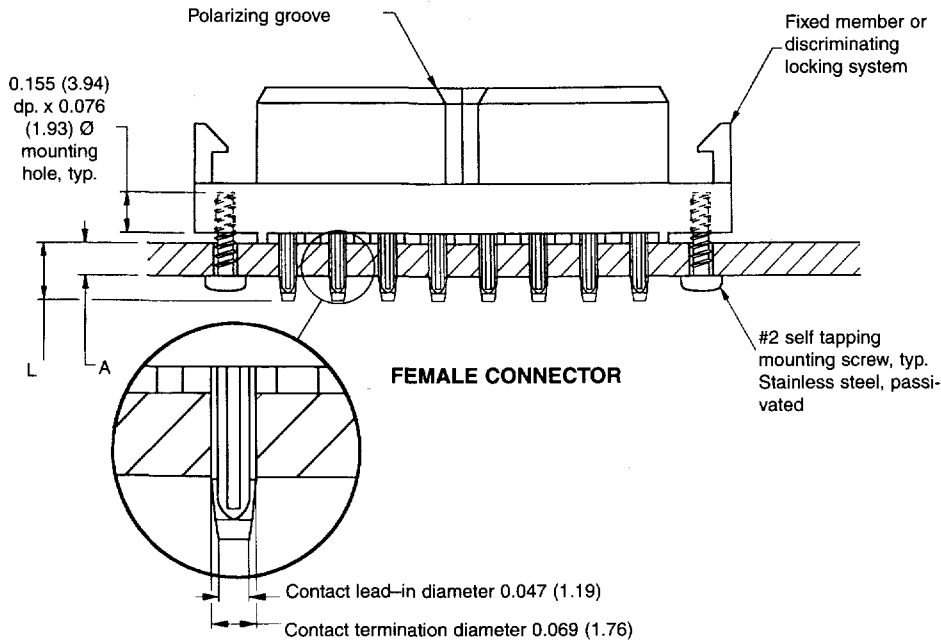
**Female**

Typical part number:  
PLC09F93ST30A1

CONTACT CODE	L	PCB THICKNESS	SCREW CODE
92	0.183 (4.65)	0.093 (2.36)	ST2
93	0.218 (5.54)	0.125 (3.18)	ST3
94	0.294 (7.47)	0.187 (4.75)	ST4
95	0.309 (7.85)	0.219 (5.56)	ST5

DIMENSIONS ARE IN INCHES (MILLIMETERS). ALL DIMENSIONS ARE SUBJECT TO CHANGE.

COMPLIANT TERMINATION PRESS-FIT CONNECTOR



CONTACT CODE	L	PCB THICKNESS	SCREW CODE
92	0.183 (4.65)	0.093 (2.36)	0.250 (6.35)
93	0.218 (5.54)	0.125 (3.18)	0.312 (7.92)
94	0.294 (7.47)	0.187 (4.75)	0.375 (9.53)
95	0.309 (7.85)	0.219 (5.56)	0.375 (9.53)

DIMENSIONS ARE IN INCHES (MILLIMETERS).  
ALL DIMENSIONS ARE SUBJECT TO CHANGE.

