

## CTGSR105BF Series

From 10  $\mu$ H to 470  $\mu$ H



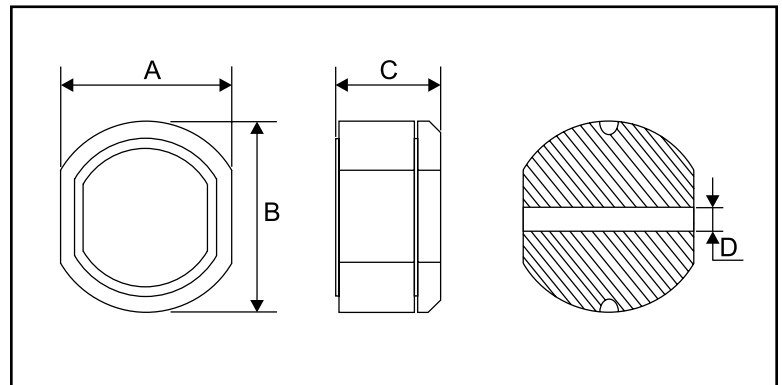
### SPECIFICATIONS

Parts are available in  $\pm 20\%$  inductance tolerance only.

Part Number	Inductance ( $\mu$ H)	L Test Freq. (_Hz)	DCR Max. ( $\Omega$ )	Rated DC (A)
CTGSR105BF-100M	10	2.52M	0.06	2.06
CTGSR105BF-120M	12	2.52M	0.07	1.94
CTGSR105BF-150M	15	2.52M	0.07	1.72
CTGSR105BF-180M	18	2.52M	0.08	1.58
CTGSR105BF-220M	22	2.52M	0.08	1.42
CTGSR105BF-270M	27	2.52M	0.10	1.32
CTGSR105BF-330M	33	2.52M	0.11	1.16
CTGSR105BF-390M	39	2.52M	0.12	1.10
CTGSR105BF-470M	47	2.52M	0.14	1.00
CTGSR105BF-560M	56	2.52M	0.19	0.93
CTGSR105BF-680M	68	2.52M	0.21	0.85
CTGSR105BF-820M	82	2.52M	0.28	0.79
CTGSR105BF-101M	100	1.00k	0.34	0.72
CTGSR105BF-121M	120	1.00k	0.37	0.63
CTGSR105BF-151M	150	1.00k	0.51	0.55
CTGSR105BF-181M	180	1.00k	0.57	0.50
CTGSR105BF-221M	220	1.00k	0.78	0.47
CTGSR105BF-271M	270	1.00k	0.87	0.41
CTGSR105BF-331M	330	1.00k	1.20	0.37
CTGSR105BF-391M	390	1.00k	1.34	0.35
CTGSR105BF-471M	470	1.00k	1.50	0.33

### PHYSICAL DIMENSIONS

Size	A	B	C	D Ref.
mm	9.0 $\pm$ 0.5	10.0 $\pm$ 0.5	5.5 $\pm$ 0.5	2.5
inches	0.35 $\pm$ 0.02	0.39 $\pm$ 0.02	0.22 $\pm$ 0.02	0.1



### CHARACTERISTICS

- Description:** SMD Shielded power inductor.
- Applications:** VTR power supplies, OA equipment, LCD televisions, PC notebooks, portable communication equipment, DC/DC converters, etc.
- Operating Temperature:** -30°C to +100°C
- Inductance Tolerance:** M =  $\pm 20\%$
- Testing:** Inductance is tested on an HP4285A at specified frequency.
- Packaging:** Tape & Reel, 500 parts per reel.
- Marking:** Parts are marked with inductance code.
- Miscellaneous:** **RoHS Compliant.**
- Additional Information:** Additional electrical & physical information available upon request.
- Samples available. See website for ordering information.**