

# LANscape® Solutions Closet Connector Housing Modules (CCH Modules)

Corning Cable Systems

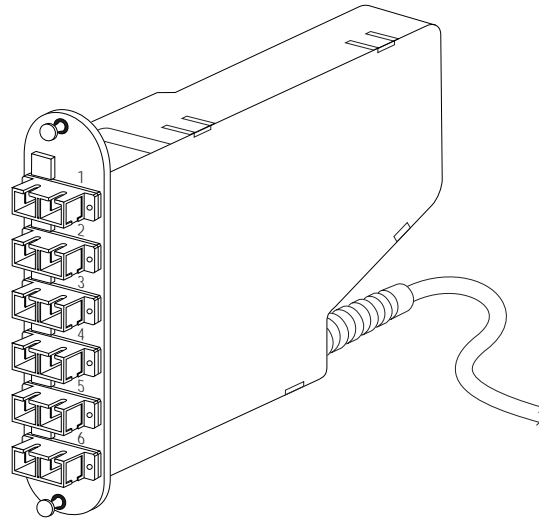


Fiber Cabling Solutions for Premises Networks

Corning Cable Systems' CCH modules are designed to secure and protect various adapters within a snap-in/snap-out panel. Each module contains provisions for strain-relief, slack storage, and the furcation of fiber optic cables. The advantage of using a module as compared to a panel is that modules offer greater protection to the optical cables and connectors being installed and the optical cables being routed into the module are easier to route and store within a housing. CCH modules are compatible with LANscape® Solutions rack-mountable connector housings.

CCH modules are typically shipped assembled with adapters and connectorized pigtails installed to the customer's specifications, but Corning Cable Systems can also ship them without pigtails or as a Plug & Play™ system module. Plug & Play system modules are factory terminated and tested modules with an internal harness that is connected to a 12-fiber MTP® connector. For installation of Plug & Play system modules, the user simply needs to install the module into the housing and connect the factory-terminated cable into the back of it.

Like Corning Cable Systems' LANscape Solutions panels, modules come in 6-, 8-, 12-, and 24-fiber capacities and are offered in a variety of adapter types including ST® compatible, MT-RJ, SC simplex, and SC duplex among other industry-standard adapter types. To aid in the labeling, the CCH modules include port identification applications such as a computer terminal, telephone, video cameras, and CATV, all of which are compliant with the ANSI/TIA/EIA-606 labeling standard.



12-Fiber Closet Connector Housing Module with SC Duplex shown (CCH-CM12-91)

## FEATURES AND BENEFITS

- Compatible with all LANscape Solutions rack-mount housings
- Available in 6-, 8-, 12-, and 24-fiber capacities
- Designed to accommodate all industry-standard adapter types including the MT-RJ
- Offers greater protection to optical cables and connectors
- Available with factory-installed and -tested pigtails
- Can be used as a component to Corning Cable Systems' Plug & Play systems
- Unique color-coded icon labeling system
- One size fits all approach; all LANscape Solutions panels and modules are the same size, regardless of the capacity



# LANscape® Solutions Closet Connector Housing Modules (CCH Modules)

Corning Cable Systems



Fiber Cabling Solutions for Premises Networks

## ORDERING INFORMATION

### How to Order – 3 Options Available

Option 1:	Order the <b>Adapter Module</b> with adapters; without factory-installed pigtails.
Option 2:	Order the factory-installed <b>Pigtailed Module</b> .
Option 3:	Order the <b>Plug &amp; Play™ System Module</b> .

### Option 1: Adapter Module

Part Number

CCH - CM  -   
**1 2**

Use the following options to construct the part number:

#### **1** Select Fiber Count.

- 06= 6 fibers
- 08= 8 fibers
- 12= 12 fibers (only for SC duplex, MT-RJ)
- 16= 16 fibers (only for MT-RJ)
- 24= 24 fibers (only for MT-RJ)

#### **2** Select Adapters.

##### **ST® Compatible**

- 15T = ST compatible, ceramic insert, multimode, composite housing, threaded bulkhead mount
- 19T = ST compatible, ceramic insert, single-mode, composite housing, threaded bulkhead mount
- 25T = ST compatible, composite insert, multimode, composite housing, threaded bulkhead mount
- 74 = ST compatible, metal insert, multimode, threaded
- 82T = ST compatible, ceramic insert, single-mode, threaded
- 83 = ST compatible, metal insert, single-mode, threaded

##### **FC\***

- 11= FC, metal insert, multimode or single-mode, metal housing
- 21= FC for Angled Polish Connectors (APC), metal insert, single-mode, metal housing

##### **SC Simplex**

- 3C = SC simplex, ceramic insert, single-mode
- 38 = SC simplex, metal insert, single-mode
- 39 = SC simplex, metal insert, multimode
- 56 = SC simplex, composite insert, multimode
- 6C = SC simplex/APC, ceramic insert, single-mode

##### **SC Duplex**

- 57 = 568SC (SC duplex), metal insert, multimode, plastic housing
- 57C = 568SC (SC duplex), ceramic insert, multimode, plastic housing
- 59 = 568SC (SC duplex), ceramic insert, single-mode, plastic housing
- 91 = 568SC (SC duplex), composite insert, multimode, plastic housing

##### **FDDI to ST Compatible**

- 33A = FDDI/ST compatible, composite insert, composite housing, A keying
- 33B = FDDI/ST compatible, composite insert, composite housing, B keying
- 33M = FDDI/ST compatible, composite insert, composite housing, M keying
- 33S = FDDI/ST compatible, composite insert, composite housing, S keying

##### **ESCON® Compatible to ST Compatible**

- 27 = ESCON compatible/ST compatible, ceramic insert, multimode

##### **MT-RJ**

- 97 = MT-RJ multimode
- 98 = MT-RJ single-mode

\* Available in 6-fiber modules only.

## ORDERING INFORMATION

### Option 2: Pigtailed Module

A standard pigtail length is 3 meters (3.281 feet). For lengths other than 3 meters, please contact Corning Cable Systems Customer Service at 1-800-743-2671 or consult the Preconnectorized Optical Hardware sheet.

#### Part Number

CCH - CM  -  - P03   
**1** **2** **3**

Use the following options to construct the part number:

#### **1** Select Fiber Count.

- 06= 6 fibers
- 08= 8 fibers
- 12= 12 fibers (only for SC duplex, and MT-RJ)
- 16= 16 fibers (only for MT-RJ)
- 24= 24 fibers (only for MT-RJ)

#### **2** Select Adapters.

##### ST® Compatible

- 25 = ST compatible, composite insert, multimode, composite housing
- 50 = ST compatible, ceramic insert, multimode
- 61 = ST compatible/UPC, ceramic insert, single-mode
- 6T = ST compatible, ceramic insert, single-mode, threaded
- 79 = ST compatible, ceramic insert, single-mode

##### FC\*

- 21 = FC for Angled Polish Connectors (APC), metal insert, single-mode, metal housing
- 54 = FC/UPC, metal insert, single-mode

##### SC Simplex

- 39 = SC Simplex, metal insert, multimode
- 56 = SC Simplex, composite insert, multimode
- 58 = SC Simplex/UPC, metal insert, single-mode
- 5C = SC Simplex/UPC, ceramic insert, single-mode
- 6C = SC Simplex/APC, ceramic insert, single-mode

##### SC Duplex

- 72 = 568SC (SC duplex/UPC), single-mode, ceramic insert
- 91 = 568SC (SC duplex), composite insert, multimode, plastic housing

##### ESCON® to ST Compatible

- 53 = ESCON/ST compatible, ceramic insert, multimode

##### MT-RJ

- 97 = MT-RJ multimode
- 98 = MT-RJ single-mode

\* Available in 6-fiber modules only.

#### **3** Select Fiber Type.

##### MIC® Subunit (Standard Fiber Cable Option)

- CH = Multimode (50/125 μm)
- KH = Multimode (62.5/125 μm)
- RH = Single-mode

##### Ribbon Fiber

- CJ = Multimode (50/125 μm)
- KJ = Multimode (62.5/125 μm)
- RJ = Single-mode

##### OptiStrip™ Buffered Fiber

- KN = Multimode (62.5/125 μm)
- RN = Single-mode

(continued on next page)

# LANscape® Solutions Closet Connector Housing Modules (CCH Modules)

Corning Cable Systems



Fiber Cabling Solutions for Premises Networks

## ORDERING INFORMATION

(continued from previous page)

### Option 3: Plug & Play™ System Module

Part Number

CCH - CM  -  -    
**1 2 3 4**

Use the following options to construct the part number:

#### 1 Select Fiber Count.

- 12 = 12 fibers
- 24 = 24 fibers

#### 2 Select Adapters.

##### ST® Compatible\*

- 25 = ST compatible, composite insert, multimode, composite housing
- 50 = ST compatible, ceramic insert, multimode
- 61 = ST compatible/UPC, ceramic insert, single-mode
- 6T = ST compatible, ceramic insert, single-mode, threaded
- 79 = ST compatible, ceramic insert, single-mode

##### SC Simplex\*

- 39 = SC Simplex, metal insert, multimode
- 56 = SC Simplex, composite insert, multimode
- 58 = SC Simplex/UPC, metal insert, single-mode
- 5C = SC Simplex/UPC, ceramic insert, single-mode
- 6C = SC Simplex/APC, ceramic insert, single-mode

##### SC Duplex\*

- 72 = 568SC (SC duplex/UPC), single-mode, ceramic insert
- 91 = 568SC (SC duplex), composite insert, multimode, plastic housing

##### MT-RJ

- 97 = MT-RJ multimode
- 98 = MT-RJ single-mode

\* Not available in 16- and 24-fiber modules.

#### 3 Select Mode.

- 69 = Multimode
- 90 = Single-mode

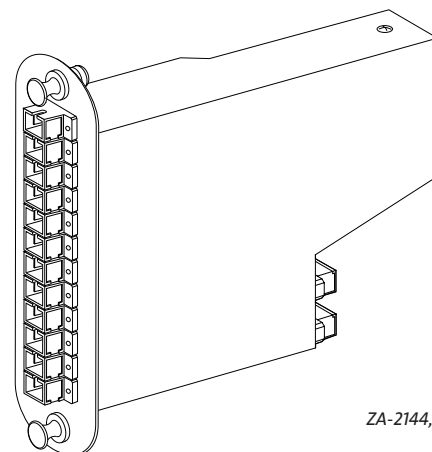
#### 4 Select Multimode Fiber Type.

- Leave blank for single-mode
- C = Multimode (50/125 μm)
- K = Multimode (62.5/125 μm)

## Examples

Part Number	Description
CCH-CM12-91-69K	12-Fiber SC Duplex, Multimode module
CCH-CM12-58-90	12-Fiber SC, Single-mode module

24-Fiber Closet Connector Housing Module with MT-RJ to MTP® shown (CCH-CM24-97-69K)



ZA-2144, CPC-220/5/18



Product information also found in publication LAN.220B.EN, LANscapes® Solutions Fiber Products Catalog, 8th Edition, Pages 5.19-5.22.

Corning Cable Systems LLC • PO Box 489 • Hickory, NC 28603-0489 USA • 1-800-743-2675 • FAX: 828-901-5973 • International: 828-901-5000  
<http://www.corning.com/cablesystems>. Corning Cable Systems reserves the right to improve, enhance, and modify the features and specifications of Corning Cable Systems' products without prior notification. LANscape and MIC are registered trademarks of Corning Cable Systems Brands, Inc. OptiStrip and Plug & Play are trademarks of Corning Cable Systems Brands, Inc. MTP is a registered trademark of Corning Cable Systems Brands, Inc. ESCON is a registered trademark of International Business Machines Corporation. ST is a registered trademark of Lucent Technologies. All other trademarks are the properties of their respective owners. Corning Cable Systems is ISO 9001 certified. © 2001 Corning Cable Systems. All Rights Reserved. Printed in USA. LAN.400.EN / November 2001 / PDF