

Darlington Transistors (Small-Signal TR)

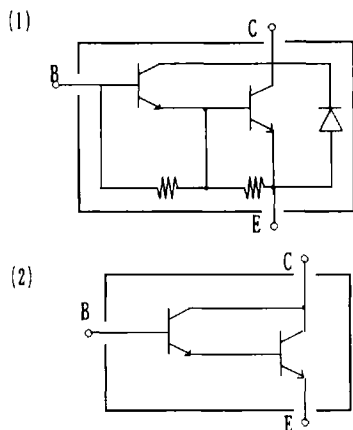
Darlington transistors can be driven with less power. Darlington transistor-applied circuits can be simplified and made small-sized, facilitating assembly of sets.

Our Darlington transistors are available for $I_c=0.2A$ to $15A$ (Large-Signal TR) and can be applied to various uses.

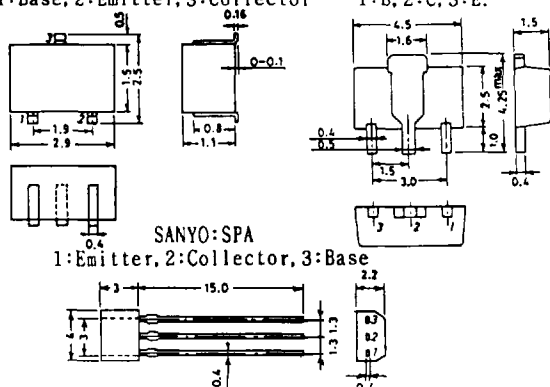
Applications

☆ ECRs, printers, typewriters, sewing machines, recorders, computers, igniters, car coolers, projectors, players, stereos, home appliances, audio equipment, industrial equipment.

Electrical connection (NPN)

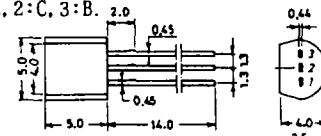


Case Outlines (unit: mm)
SANYO:CP 1:Base, 2:Emitter, 3:Collector
SANYO:PCP 1:B, 2:C, 3:E.

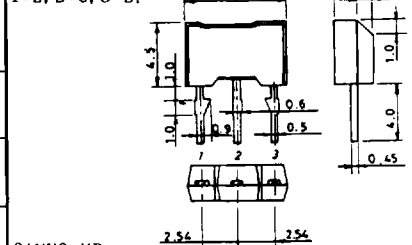


SANYO:NP

1:E, 2:C, 3:B.

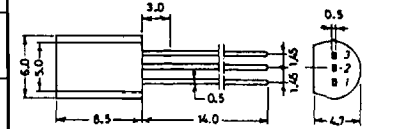


SANYO:NMP
1:E, 2:C, 3:B.



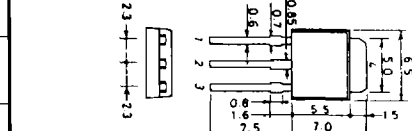
SANYO:MP

1:E, 2:C, 3:B.



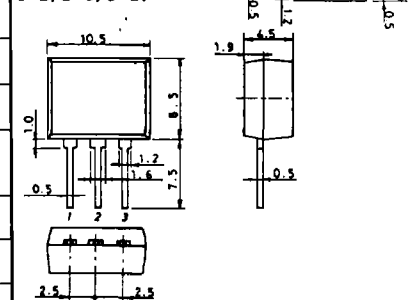
SANYO:TP

1:Base, 2:Collector, 3:Emitter
4:Collector.



SANYO:FLP

1:E, 2:C, 3:B.



SANYO:TO-126

1:E, 2:C, 3:B.



For PNP, (-) sign is omitted. *: Mounted on ceramic board (250mm² × 0.8mm). †: T_c = 25°C.

Type No. (): Marking	Package	Absolute Maximum Ratings/T _a = 25°C				Electrical Characteristics/T _a = 25°C						Electrical connection
		V _{CB0} (V)	V _{CEO} (V)	I _C (A)	P _C (W)	V _{CE} (V)	I _C (A)	h _{FE} min	I _C (A)	I _B (mA)	V _{CE(sat)} max(V)	
2SB1234(PL) 2SD1851(XY)	CP	80	50	0.2	0.2		0.01	5000	0.1	0.1	1.5	(2)
2SB1125(BH) 2SD1625(DH)		80	50	0.7	*1.3		0.05	5000	0.1	0.1	1.2	(2)
2SB1126(BI) 2SD1626(DI)	PCP	80	50	1.5	*1.5		0.5	4000	0.5	0.5	1.5	(2)
2SD1627(DJ)		30	25	2	*1.5		0.5	4000	0.6	0.15	1.5	(2)
2SD2261(DR)		80	60	2.5	*1.5		1	2000	1	2	1.5	(1)
2SB1235 2SD1852	SPA	80	50	0.2	0.3	2	0.01	5000	0.1	0.1	1.5	(2)
2SB888 2SD1111	NP	80	50	0.7	0.6		0.05	5000	0.1	0.1	1.2	(2)
2SD1853		80	60	1.5	0.7		0.5	1000	1	2	1.5	(1)
2SB1405 2SD2116	NMP	80	50	0.7	1		0.05	5000	0.1	0.1	1.2	(2)
2SB1406 2SD2117		80	50	1.5	1		0.5	4000	0.5	0.5	1.5	(2)
2SD2120		100	80	2	1	3	0.5	1000	1	2	1.5	(1)
2SB865 2SD1153	MP	80	50	1.5	0.9		0.5	4000	0.5	0.5	1.5	(2)
2SD1854		80	60	1.5	1		0.5	1000	1	2	1.5	(1)
2SD1981		100	80	2	1	3	0.5	1000	1	2	1.5	(1)
2SB1214 2SD1817	TP	80	50	3	*15		1	2000	2	4	1.5	(1)
2SD1799		30	25	3	*15	2	0.5	4000	1	0.5	1.5	(2)
2SD1800		80	50	1.5	*10		0.5	4000	0.5	0.5	1.5	(2)
2SB1510 2SD2284	FLP	80	60	3	1.5	2	1	2000	2	4	1.5	(1)
2SD2426		100	80	2	1.5	3	0.5	1000	1	2	1.5	(1)
2SD894	TO-126	30	25	1.5	1	2	0.5	4000	0.6	0.15	1.5	(2)
2SD1953		120	120	1.5	*10	3	0.5	1000	1	2	1.5	(1)

⊕ In addition to the above, the C-B Zener diode-contained Darlington TR, Large Signal TR series are available.

These specifications are subject to change without notice.