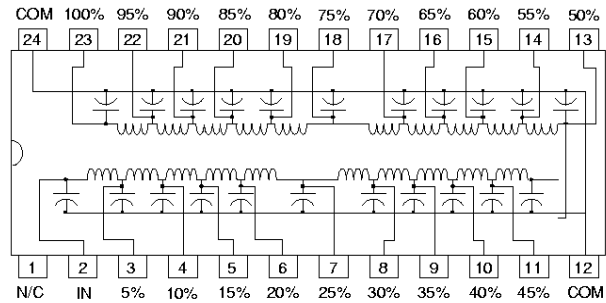


SP24 Series 20-Tap High Performance Passive Delay Modules

- Fast Rise Time, Low DCR
- High Bandwidth $\approx 0.35 / t_r$
- Low Distortion LC Network
- 20 Equal Delay Taps
- Standard Impedances: 50 - 75 - 100 - 200 Ω
- Stable Delay vs. Temperature: 100 ppm/°C
- Operating Temperature Range -55°C to +125°C

SP24 Style 20-Tap Schematic

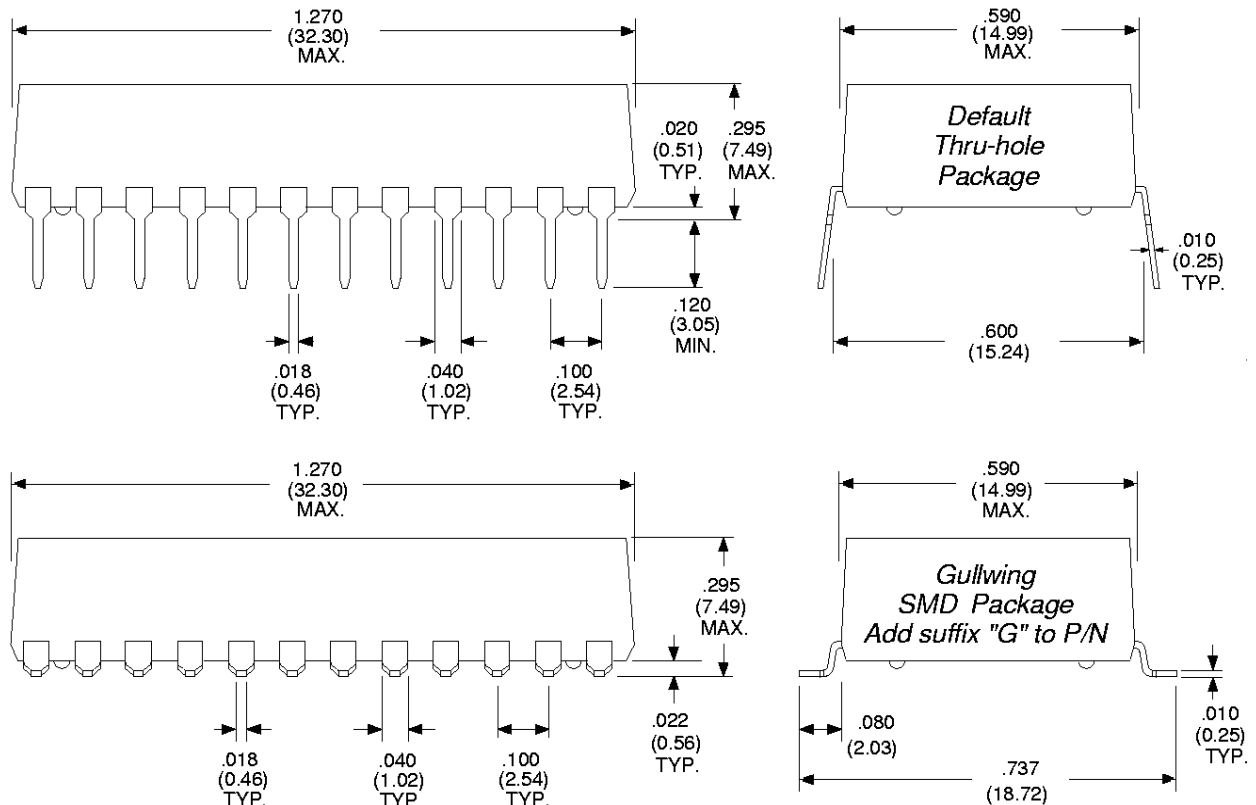


Electrical Specifications ^{1,2,3} at 25°C *Note: For SMD Package Add "G" to end of P/N in Table Below*

Delay Tolerances		50 Ohm DIP Part Number	Rise Time (ns)	DCR max. (Ohms)	75 Ohm DIP Part Number	Rise Time (ns)	DCR max. (Ohms)	100 Ohm DIP Part Number	Rise Time (ns)	DCR max. (Ohms)	200 Ohm DIP Part Number	Rise Time (ns)	DCR max. (Ohms)
Total (ns)	Tap-to-Tap (ns)												
10 ± 0.50	0.5 ± 0.2	SP24-105	2.5	1.0	SP24-107	2.8	1.3	SP24-101	2.8	1.3	SP24-102	3.5	2.5
20 ± 1.00	1.0 ± 0.4	SP24-205	3.7	1.7	SP24-207	3.7	1.8	SP24-201	3.7	1.8	SP24-202	4.0	3.9
25 ± 1.25	1.25 ± 0.5	SP24-255	4.0	1.8	SP24-257	4.0	2.1	SP24-251	4.0	2.1	SP24-252	4.5	4.4
30 ± 1.50	1.5 ± 0.5	SP24-305	4.8	1.9	SP24-307	4.8	2.3	SP24-301	4.8	2.3	SP24-302	5.0	4.8
40 ± 2.00	2.0 ± 0.5	SP24-405	5.5	2.1	SP24-407	5.5	2.4	SP24-401	5.5	2.4	SP24-402	7.5	5.0
50 ± 2.50	2.5 ± 0.5	SP24-505	6.0	2.2	SP24-507	6.2	2.6	SP24-501	6.2	2.6	SP24-502	9.0	5.2
70 ± 3.50	3.5 ± 0.8	SP24-705	7.9	2.6	SP24-707	8.1	2.8	SP24-701	8.1	2.8	SP24-702	11.0	5.4
80 ± 4.00	4.0 ± 1.0	SP24-805	9.4	2.8	SP24-807	9.5	3.0	SP24-801	9.5	3.0	SP24-802	12.0	5.7
100 ± 5.00	5.0 ± 1.0	SP24-1005	11.8	3.0	SP24-1007	12.8	3.3	SP24-1001	12.8	3.3	SP24-1002	15.0	6.0
150 ± 7.50	7.5 ± 2.0	SP24-1505	15.5	3.4	SP24-1507	16.0	3.7	SP24-1501	16.0	3.7	SP24-1502	23.0	7.0
200 ± 10.0	10.0 ± 2.0	SP24-2005	20.0	3.6	SP24-2007	21.0	4.1	SP24-2001	21.0	4.1	SP24-2002	31.0	8.1
250 ± 12.5	12.5 ± 3.0	SP24-2505	26.0	3.8	SP24-2507	28.0	4.4	SP24-2501	28.0	4.4	SP24-2502	38.0	9.2
300 ± 15.0	15.0 ± 3.0	SP24-3005	32.0	4.4	SP24-3007	32.5	5.2	SP24-3001	32.5	5.2	SP24-3002	46.0	9.9

1. Rise Times are measured from 10% to 90% points.
2. Delay Times measured at 50% points of leading edge.
3. Output (100% Tap) terminated to ground through $R_L = Z_0$

Dimensions in Inches (mm)



Specifications subject to change without notice.

For other values & Custom Designs, contact factory.

SP24 1/98