

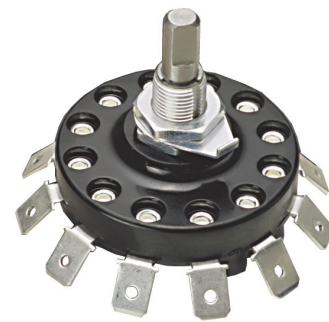
SERIES 19

2" Diameter, 15 Amp



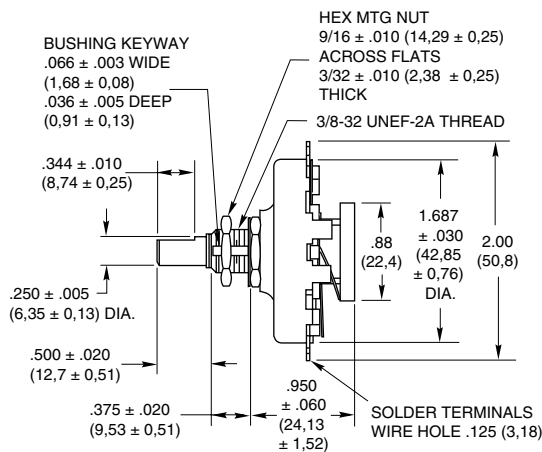
FEATURES

- UL Recognized
- Rugged Construction
- Choice of Termination

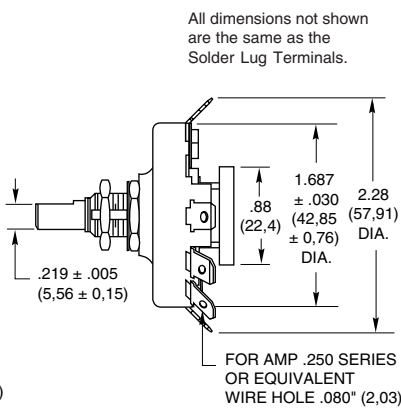


DIMENSIONS In inches (and millimeters)

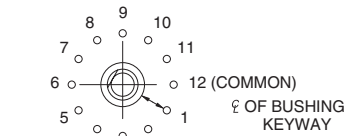
Solder Lug Terminals



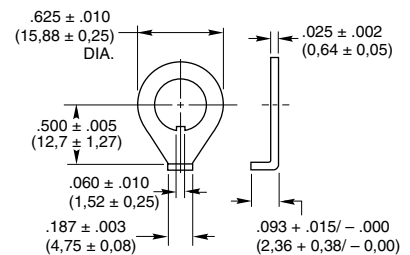
'Faston' Terminals



Circuit Diagram viewed from shaft end with switch in position #1



Non-Turn Washer Detail



Grayhill part number and date code marked on label. Customer part number marked on request.

SPECIFICATIONS

Electrical Rating

Rated: UL Recognition: File Number E35289
 15 Amps, 120 Vac, non-inductive load.
 One Amp, 120 Vdc, non-inductive load.
 Additional Grayhill Rating: 7.5 Amps, 220 Vac,
 non-inductive load.

This rating is based on the following criteria:
 Overload—50 operations at 125% rated ac load
 and 150% rated DC load.

Endurance—6000 operations at rated load with
 900 Vac dielectric strength before and after test.
 Temperature Rise—Not to exceed 30°C when
 carrying rated ac load after endurance test.
 Contacts will carry 20 Amps at 115 volts AC with
 30°C maximum temperature rise.

Contact Resistance: (Measured at 2 Vdc and
 approximately 100 mA) for new switch
 approximately 10 milliohms.

Insulation Resistance: Approximately 100,000
 Mohms. Between mutually insulated parts.

Voltage Breakdown: Approximately 2500 Vac
 between mutually insulated parts.

Materials and Finishes

Rotor Contact: Silver alloy

Stator Contact: Silver alloy

Shaft: 303 Stainless steel

Stop Rivet: Steel, tin/zinc-plated

Mounting Bushing: Brass, tin/zinc-plated

Base and Drive Hub: Heat resistant, electrical
 grade phenolic.

Mounting Nut: Brass, tin/zinc-plated or stain-
 less steel.

Detent Mechanism: Brass, silver-plated

"Faston" Terminal: Brass, silver-plated

Solder Terminal: Brass, silver-plated

Mounting Hardware: One mounting nut 9/16"
 across flats, 3/32" thick and one non-turn washer
 (see detail) are supplied with each switch.

Additional Characteristics

Single Pole, Single Deck: 2 to 11 positions
 plus common 30° Indexing.

Contacts: Non-shorting type

Stops: A rivet provides the fixed stop on all
 switches. Minimum number of positions is 2,
 and maximum is 11. Terminal 12, the common,
 is isolated from rotation.

Rotational Torque: 30 to 75 ounce-inches on
 a new switch. Approximately 22 ounce-inches
 after 25,000 cycles of operation.

Contact Force: Approximately 12 ounces

Shaft Flat Orientation: Opposite point of con-
 tact (see circuit diagram).

ACCESSORIES

Screw Terminal Adapter

Spring loaded, plug-in adapters for 'Faston'
 Terminals provide excellent mechanical fit and
 electrical contact. Adapter material is brass
 tin-plated. The terminal adapters are avail-
 able with a 6-32 thread (-1) or 8-32 thread
 (-2). A 1/4" panhead screw is provided as
 part of the adapter.



Part No. SC906-16-32 Thread

Part No. SC906-28-32 Thread

Non-Turn Washer

Brass, tin/zinc-plated washer, detailed above
 may be purchased as a separate item.
 Part No. 19C1014.

ORDERING INFORMATION

Part Numbers: Designate as follows, using the
 2 digits after the dash to indicate the number of
 positions.

For Faston Terminal:

Use 19101-02UL through 19101-11UL

For Solder Terminal:

Use 19001-02UL through 19001-11UL

Specials: Not available through Distributors.
 For special shafts, bushings, etc. contact Grayhill.

**Available from your local Grayhill
 Distributor.** For prices and discounts, contact
 a local Sales Office, an authorized local
 Distributor or Grayhill.