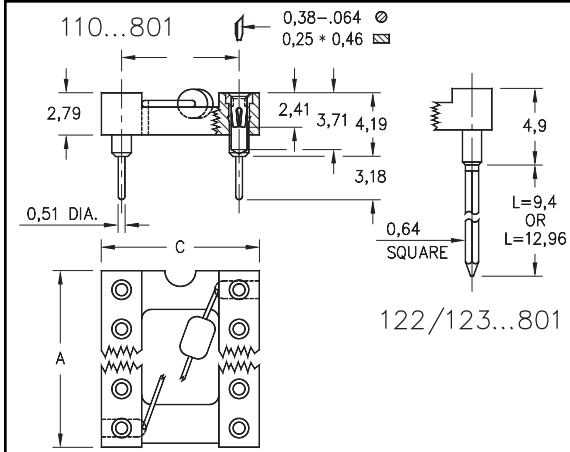




DUAL-IN-LINE SOCKETS With Integral Decoupling Capacitor Open Frame

Series 110, 122, 123...801



- Low profile DIP sockets with integral decoupling capacitor: .1μ F 20%-50V multi-layer ceramic epoxy encapsulated. Temp. range: -25° C to +85° C.
- Hi-Rel, 4-finger BeCu #30 contact is rated at 3 amps. See page 218 for details.
- Series 110, 122 and 123 use MM #1001, #0088 or #0089 pins. See pages 136 and 166 for details.
- Insulators are high temperature thermoplastic.



Total number of pins	Pin Spacing			Quantity per tube	Ordering Information		
					Solder Tail	2 Level Wrappost L = 9,4mm	3 Level Wrappost L = 12,96mm
	A	B	C				
14	17,7	7,62	10,1	28	110-XX-314-41-801000	122-XX-314-41-801000	123-XX-314-41-801000
16	20,3	7,62	10,1	25	110-XX-316-41-801000	122-XX-316-41-801000	123-XX-316-41-801000
18	22,8	7,62	10,1	22	110-XX-318-41-801000	122-XX-318-41-801000	123-XX-318-41-801000
20	25,3	7,62	10,1	20	110-XX-320-41-801000	122-XX-320-41-801000	123-XX-320-41-801000
22	27,8	7,62	10,1	18	110-XX-322-41-801000	122-XX-322-41-801000	123-XX-322-41-801000
24	30,4	7,62	10,1	16	110-XX-324-41-801000	122-XX-324-41-801000	123-XX-324-41-801000
28	35,5	7,62	10,1	14	110-XX-328-41-801000	122-XX-328-41-801000	123-XX-328-41-801000
22	27,8	10,16	12,7	18	110-XX-422-41-801000	122-XX-422-41-801000	123-XX-422-41-801000
24	30,4	15,24	17,7	16	110-XX-624-41-801000	122-XX-624-41-801000	123-XX-624-41-801000
28	35,5	15,24	17,7	14	110-XX-628-41-801000	122-XX-628-41-801000	123-XX-628-41-801000
32	40,6	15,24	17,7	12	110-XX-632-41-801000	122-XX-632-41-801000	123-XX-632-41-801000
40	50,8	15,24	17,7	10	110-XX-640-41-801000	122-XX-640-41-801000	123-XX-640-41-801000

For Electrical, Mechanical & Environmental Data, See pg. 4

XX=Plating Code See Below

For RoHS compliance select \diamond plating code.



SPECIFY PLATING CODE XX=	13 \diamond	93	43 \diamond
Sleeve (Pin)	0,25μm Au	5,08μm Sn/Pb	5,08μm Sn
Contact (Clip)	0,76μm Au	0,76μm Au	0,76μm Au