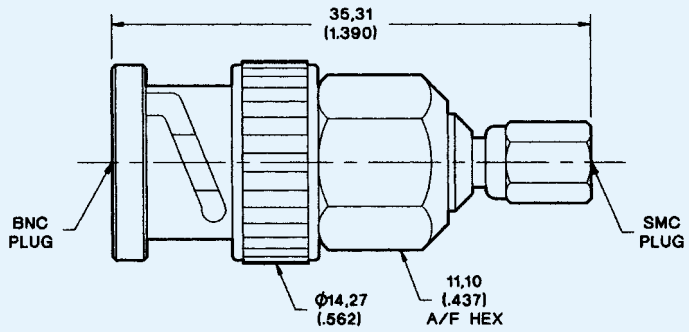


SMB / SMC to 50 Ω BNC

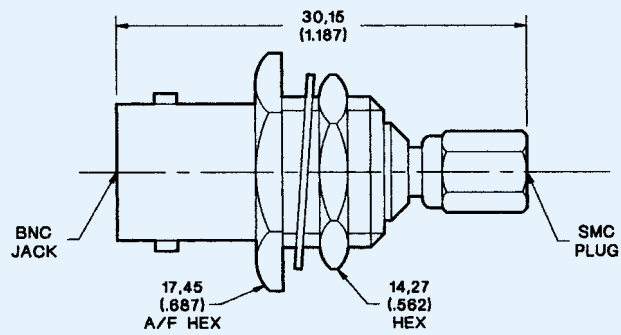
BNC Plug to SMC Plug

Part Number
050-073-6800220



BNC Jack to SMC Bulkhead Plug

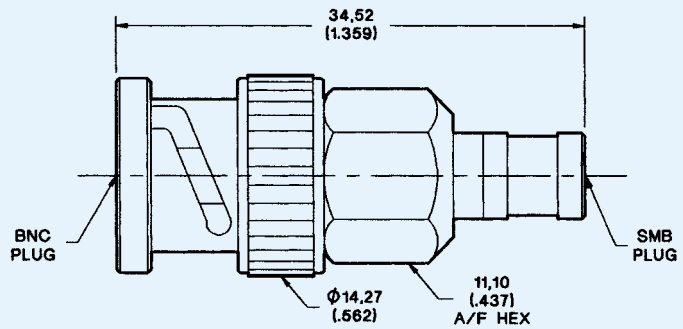
Part Number
050-077-6801220



Mounting Plan Y (Page 109). Panel Thickness 3,18 (.125) max.

BNC Plug to SMB Plug

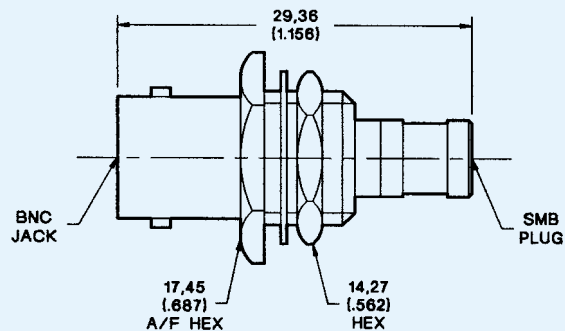
Part Number
051-073-6800220



Adaptors

BNC Jack to SMB Bulkhead Plug

Part Number
051-077-6801220



Mounting Plan Y (Page 109). Panel Thickness 3,18 (.125) max.