

JACKS AND RECEPTACLES

STRAIGHT BULKHEAD JACKS FOR FLEXIBLE CABLE

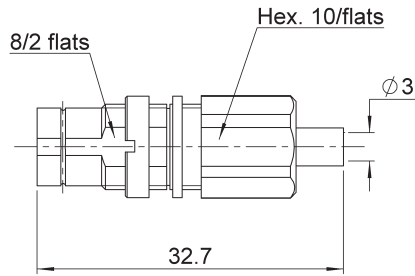


Fig. 1

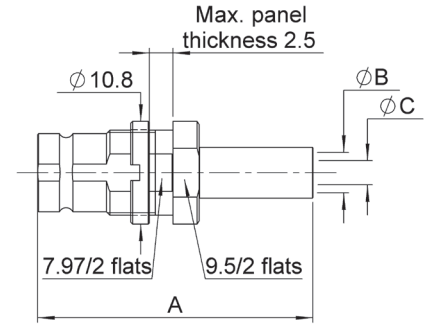
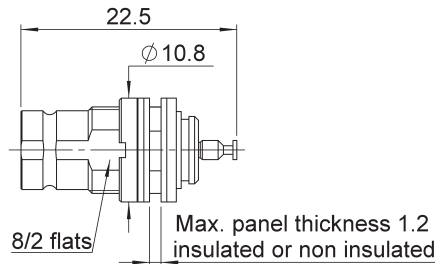


Fig. 2

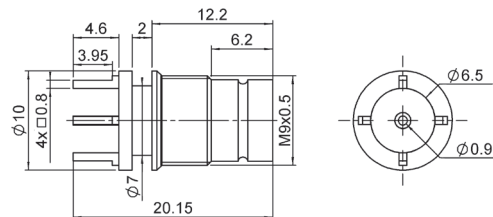
Cable group	Cable group dia.	Part number	Fig	Dimensions mm			Panel drilling	Note
				A	B	C		
RG179	2.6/75/S	R129A 301 215	1				P01	ECO version - Clamp type
		R129 337 020		29	4.25	2.55		Crimp type
L910/34	4/75	R129 347 000	2	34	4.20	2.575		Insulated - Crimp type
		R129A 347 000		30		2.6		ECO version - Crimp type

STRAIGHT BULKHEAD RECEPTACLE WITH SOLDER POT



Part number	Panel drilling	Note
R129 551 000	P01	Insulated

STRAIGHT PCB FEMALE RECEPTACLE



Part number	Panel drilling	Note
R129A 576 030	P03+P04	ECO version

To download data sheets and assembly instructions, visit www.radiall.com & enter the part number in the Search box. **Bold** part numbers represent products typically in stock & available for immediate shipment. See page 8 and 9 for packaging information.