

## FEATURES

- CURRENT RATINGS UP TO 5.5 AMPS
- SURFACE MOUNTABLE CONSTRUCTION
- LOW PROFILE (3.2mm ~ 4.9mm MAXIMUM HEIGHT)
- TAPED AND REELED FOR AUTOMATIC INSERTION
- FOR USE IN DC/DC CONVERTERS

**RoHS Compliant**  
includes all homogeneous materials

\*See Part Number System for Details



## CHARACTERISTICS

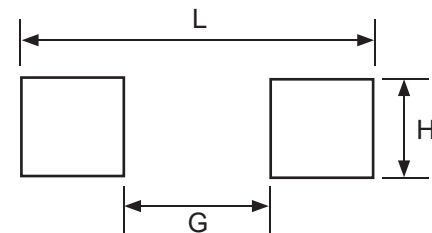
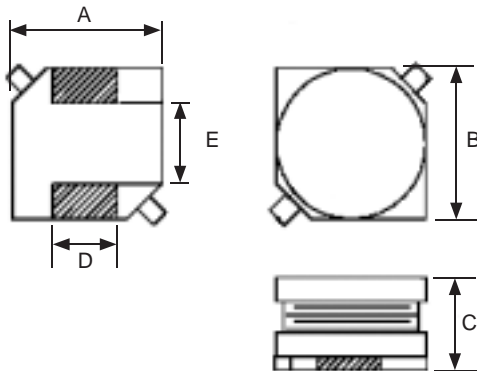
| Case Size  | NPI63T   | NPI64T | NPI65T | NPI73T                        | NPI75T | NPI103T       | NPI104T |
|--|--|--------|--------|-------------------------------|--------|---------------|---------|
| Inductance Range                                       | 1.2 ~ 1,000μH                                      |        |        | 1.0 ~ 1,000μH                 |        | 1.8 ~ 1,000μH |         |
| Inductance Tolerance                                   | ±10% (K) & ±20% (M)                                |        |        | ±10% (K), ±15% (L) & ±20% (M) |        |               |         |
| Ambient Operating Temperature Range                    | -40°C ~ +105°C                                     |        |        |                               |        |               |         |
| Maximum Component Temperature (Ambient + Self-Heating) | +145°C   |        |        |                               |        |               |         |
| Inductance Change at Isat                              | -10% max.  |        |        |                               |        |               |         |
| Temperature Rise at Irms                               | +40°C max.   |        |        |                               |        |               |         |
| Resistance to Solder Heat                              | 260°C for 10 seconds (Inductance change ±10% max.) |        |        |                               |        |               |         |

## CASE DIMENSIONS (mm)

| Series  | A          | B          | C         | D         | E         |
|---------|------------|------------|-----------|-----------|-----------|
| NPI63T  | 6.0 ± 0.3  | 6.0 ± 0.3  | 2.9 ± 0.3 | 2.0 ± 0.2 | 3.0 ± 0.2 |
| NPI64T  | 6.0 ± 0.3  | 6.0 ± 0.3  | 3.9 ± 0.3 |           |           |
| NPI65T  | 6.0 ± 0.3  | 6.0 ± 0.3  | 4.9 ± 0.3 |           |           |
| NPI73T  | 7.0 ± 0.3  | 7.0 ± 0.3  | 3.0 ± 0.3 |           |           |
| NPI75T  | 7.0 ± 0.3  | 7.0 ± 0.3  | 4.6 ± 0.3 |           |           |
| NPI103T | 10.0 ± 0.3 | 10.0 ± 0.3 | 3.0 ± 0.3 | 2.4 ± 0.2 | 6.0 ± 0.2 |
| NPI104T | 10.0 ± 0.3 | 10.0 ± 0.3 | 4.6 ± 0.3 |           |           |

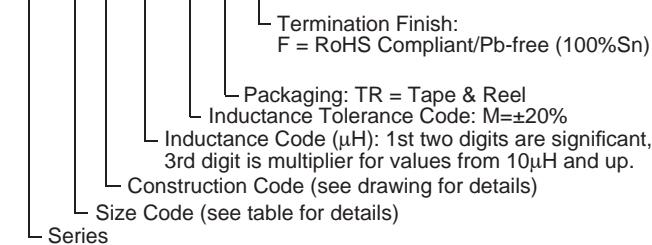
## LAND PATTERN DIMENSIONS (mm)

| Series  | L    | G   | H   |
|---------|------|-----|-----|
| NPI63T  | 6.6  | 2.8 | 2.2 |
| NPI64T  |      |     |     |
| NPI65T  |      |     |     |
| NPI73T  | 7.5  | 3.7 | 2.2 |
| NPI75T  |      |     |     |
| NPI103T | 10.7 | 5.7 | 2.8 |
| NPI104T |      |     |     |

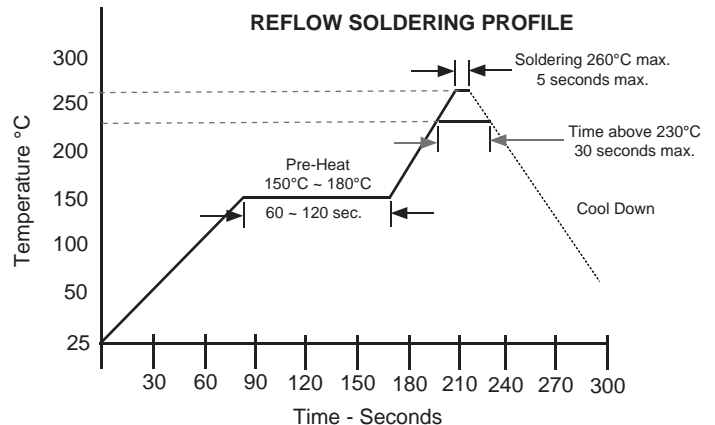


## PART NUMBER SYSTEM

NPI 64 T 220 M TR F



## REFLOW SOLDERING PROFILE



| Part Number   | STANDARD VALUES - 63 CASE SIZE (6.0 x 6.0 x 2.9mm) |                   |                             | Test Frequency |
|---------------|--|-------------------|-----------------------------|----------------|
|               | Inductance Value (µH)                              | DC Resistance (Ω) | DC Current Isat/Irms (Amps) |                |
| NPI63T1R2MTRF | 1.2 ± 20%  | 0.025             | 2.8                         | 100KHz         |
| NPI63T1R5MTRF | 1.5 ± 20%  | 0.028             | 2.6                         |                |
| NPI63T2R2MTRF | 2.2 ± 20%  | 0.030             | 2.3                         |                |
| NPI63T3R3MTRF | 3.3 ± 20%  | 0.055             | 2                           |                |
| NPI63T4R7MTRF | 4.7 ± 20%  | 0.065             | 1.85                        |                |
| NPI63T6R8MTRF | 6.8 ± 20%  | 0.090             | 1.65                        |                |
| NPI63T100MTRF | 10 ± 20%   | 0.115             | 1.45                        |                |
| NPI63T120MTRF | 12 ± 20%   | 0.15              | 1.2                         |                |
| NPI63T150MTRF | 15 ± 20%   | 0.18              | 1.15                        |                |
| NPI63T180MTRF | 18 ± 20%   | 0.23              | 1.05                        |                |
| NPI63T220MTRF | 22 ± 20%   | 0.25              | 1                           |                |
| NPI63T270MTRF | 27 ± 20%   | 0.35              | 0.95                        |                |
| NPI63T330KTRF | 33 ± 10%   | 0.38              | 0.9                         |                |
| NPI63T390KTRF | 39 ± 10%   | 0.41              | 0.8                         |                |
| NPI63T470KTRF | 47 ± 10%   | 0.43              | 0.75                        |                |
| NPI63T560KTRF | 56 ± 10%   | 0.62              | 0.7                         |                |
| NPI63T680KTRF | 68 ± 10%   | 0.71              | 0.6                         |                |
| NPI63T820KTRF | 82 ± 10%   | 0.73              | 0.5                         |                |
| NPI63T101KTRF | 100 ± 10%  | 1.05              | 0.48                        |                |
| NPI63T121KTRF | 120 ± 10%  | 1.18              | 0.45                        |                |
| NPI63T151KTRF | 150 ± 10%  | 1.80              | 0.4                         |                |
| NPI63T181KTRF | 180 ± 10%  | 1.95              | 0.35                        |                |
| NPI63T221KTRF | 220 ± 10%  | 2.96              | 0.3                         |                |
| NPI63T271KTRF | 270 ± 10%  | 3.45              | 0.28                        |                |
| NPI63T331KTRF | 330 ± 10%  | 3.8               | 0.26                        |                |
| NPI63T391KTRF | 390 ± 10%  | 4.0               | 0.24                        |                |
| NPI63T471KTRF | 470 ± 10%  | 4.4               | 0.22                        |                |
| NPI63T561KTRF | 560 ± 10%  | 6.2               | 0.2                         |                |
| NPI63T681KTRF | 680 ± 10%  | 6.8               | 0.18                        |                |
| NPI63T821KTRF | 820 ± 10%  | 12.0              | 0.16                        |                |
| NPI63T102KTRF | 1000 ± 10%   | 13.5              | 0.14                        |                |

Maximum +40°C temperature rise at Irms. Maximum -10% inductance change at Isat.



| Part Number   | STANDARD VALUES - 64 CASE SIZE (6.0 x 6.0 x 3.9mm) |                   |                             |                |
|---------------|--|-------------------|-----------------------------|----------------|
|               | Inductance Value (μH)                              | DC Resistance (Ω) | DC Current Isat/Irms (Amps) | Test Frequency |
| NPI64T1R2MTRF | 1.2 ± 20%  | 0.025             | 3.00                        | 100KHz         |
| NPI64T1R8MTRF | 1.8 ± 20%  | 0.030             | 2.85                        |                |
| NPI64T2R2MTRF | 2.2 ± 20%  | 0.035             | 2.65                        |                |
| NPI64T3R3MTRF | 3.3 ± 20%  | 0.040             | 2.35                        |                |
| NPI64T4R7MTRF | 4.7 ± 20%  | 0.045             | 2.15                        |                |
| NPI64T6R8MTRF | 6.8 ± 20%  | 0.060             | 1.85                        |                |
| NPI64T100MTRF | 10 ± 20%   | 0.085             | 1.60                        |                |
| NPI64T120MTRF | 12 ± 20%   | 0.09              | 1.50                        |                |
| NPI64T150MTRF | 15 ± 20%   | 0.11              | 1.45                        |                |
| NPI64T180MTRF | 18 ± 20%   | 0.12              | 1.30                        |                |
| NPI64T220MTRF | 22 ± 20%   | 0.16              | 1.25                        |                |
| NPI64T270MTRF | 27 ± 20%   | 0.19              | 1.10                        |                |
| NPI64T330KTRF | 33 ± 10%   | 0.28              | 1.00                        |                |
| NPI64T390KTRF | 39 ± 10%   | 0.30              | 0.90                        |                |
| NPI64T470KTRF | 47 ± 10%   | 0.33              | 0.85                        |                |
| NPI64T560KTRF | 56 ± 10%   | 0.41              | 0.80                        |                |
| NPI64T680KTRF | 68 ± 10%   | 0.45              | 0.70                        |                |
| NPI64T820KTRF | 82 ± 10%   | 0.60              | 0.60                        |                |
| NPI64T101KTRF | 100 ± 10%  | 0.66              | 0.55                        |                |
| NPI64T121KTRF | 120 ± 10%  | 0.72              | 0.50                        |                |
| NPI64T151KTRF | 150 ± 10%  | 1.05              | 0.45                        |                |
| NPI64T181KTRF | 180 ± 10%  | 1.15              | 0.40                        |                |
| NPI64T221KTRF | 220 ± 10%  | 1.25              | 0.35                        |                |
| NPI64T271KTRF | 270 ± 10%  | 1.80              | 0.30                        |                |
| NPI64T331KTRF | 330 ± 10%  | 1.95              | 0.28                        |                |
| NPI64T391KTRF | 390 ± 10%  | 2.78              | 0.25                        |                |
| NPI64T471KTRF | 470 ± 10%  | 2.98              | 0.23                        |                |
| NPI64T561KTRF | 560 ± 10%  | 3.3               | 0.21                        |                |
| NPI64T681KTRF | 680 ± 10%  | 5.1               | 0.20                        |                |
| NPI64T821KTRF | 820 ± 10%  | 5.4               | 0.18                        |                |
| NPI64T102KTRF | 1000 ± 10%   | 6.0               | 0.16                        |                |

Maximum +40°C temperature rise at Irms. Maximum -10% inductance change at Isat.



| Part Number   | STANDARD VALUES - 65 CASE SIZE (6.0 x 6.0 x 4.9mm) |                   |                             |                |
|---------------|--|-------------------|-----------------------------|----------------|
|               | Inductance Value (μH)                              | DC Resistance (Ω) | DC Current Isat/Irms (Amps) | Test Frequency |
| NPI65T1R2MTRF | 1.2 ± 20%  | 0.028             | 3.5                         | 100KHz         |
| NPI65T1R5MTRF | 1.5 ± 20%  | 0.03              | 3                           |                |
| NPI65T2R2MTRF | 2.2 ± 20%  | 0.035             | 2.7                         |                |
| NPI65T3R3MTRF | 3.3 ± 20%  | 0.042             | 2.5                         |                |
| NPI65T4R7MTRF | 4.7 ± 20%  | 0.05              | 2.2                         |                |
| NPI65T6R8MTRF | 6.8 ± 20%  | 0.06              | 2                           |                |
| NPI65T100MTRF | 10 ± 20%   | 0.07              | 1.8                         |                |
| NPI65T120MTRF | 12 ± 20%   | 0.08              | 1.6                         |                |
| NPI65T150MTRF | 15 ± 20%   | 0.09              | 1.5                         |                |
| NPI65T180MTRF | 18 ± 20%   | 0.095             | 1.3                         |                |
| NPI65T220MTRF | 22 ± 20%   | 0.11              | 1.2                         |                |
| NPI65T270MTRF | 27 ± 20%   | 0.13              | 1.1                         |                |
| NPI65T330KTRF | 33 ± 10%   | 0.18              | 1                           |                |
| NPI65T390KTRF | 39 ± 10%   | 0.21              | 0.9                         |                |
| NPI65T470KTRF | 47 ± 10%   | 0.22              | 0.8                         |                |
| NPI65T560KTRF | 56 ± 10%   | 0.25              | 0.75                        |                |
| NPI65T680KTRF | 68 ± 10%   | 0.3               | 0.7                         |                |
| NPI65T820KTRF | 82 ± 10%   | 0.39              | 0.6                         |                |
| NPI65T101KTRF | 100 ± 10%  | 0.43              | 0.55                        |                |
| NPI65T121KTRF | 120 ± 10%  | 0.5               | 0.5                         |                |
| NPI65T151KTRF | 150 ± 10%  | 0.62              | 0.45                        |                |
| NPI65T181KTRF | 180 ± 10%  | 0.69              | 0.4                         |                |
| NPI65T221KTRF | 220 ± 10%  | 0.89              | 0.38                        |                |
| NPI65T271KTRF | 270 ± 10%  | 1                 | 0.35                        |                |
| NPI65T331KTRF | 330 ± 10%  | 1.4               | 0.32                        |                |
| NPI65T391KTRF | 390 ± 10%  | 1.5               | 0.3                         |                |
| NPI65T471KTRF | 470 ± 10%  | 2                 | 0.28                        |                |
| NPI65T561KTRF | 560 ± 10%  | 2.3               | 0.25                        |                |
| NPI65T681KTRF | 680 ± 10%  | 3.2               | 0.2                         |                |
| NPI65T821KTRF | 820 ± 10%  | 3.5               | 0.18                        |                |
| NPI65T102KTRF | 1000 ± 10%   | 4.1               | 0.16                        |                |

Maximum +40°C temperature rise at Irms. Maximum -10% inductance change at Isat.



| Part Number   | STANDARD VALUES - 73 CASE SIZE (7.0 x 7.0 x 3.3mm) |                   |                             |                |
|---------------|--|-------------------|-----------------------------|----------------|
|               | Inductance Value (μH)                              | DC Resistance (Ω) | DC Current Isat/Irms (Amps) | Test Frequency |
| NPI73T1R0MTRF | 1.0 ± 20%  | 0.02              | 3.20                        | 100KHz         |
| NPI73T1R5MTRF | 1.5 ± 20%  | 0.025             | 2.80                        |                |
| NPI73T2R2MTRF | 2.2 ± 20%  | 0.035             | 2.50                        |                |
| NPI73T3R3MTRF | 3.3 ± 20%  | 0.04              | 2.20                        |                |
| NPI73T4R7MTRF | 4.7 ± 20%  | 0.045             | 2.00                        |                |
| NPI73T6R8MTRF | 6.8 ± 20%  | 0.06              | 1.60                        |                |
| NPI73T100MTRF | 10 ± 20%   | 0.08              | 1.40                        |                |
| NPI73T120MTRF | 12 ± 20%   | 0.085             | 1.30                        |                |
| NPI73T150LTRF | 15 ± 15%   | 0.11              | 1.10                        |                |
| NPI73T180LTRF | 18 ± 15%   | 0.13              | 1.05                        |                |
| NPI73T220LTRF | 22 ± 15%   | 0.15              | 1.00                        |                |
| NPI73T270LTRF | 27 ± 15%   | 0.19              | 0.95                        |                |
| NPI73T330LTRF | 33 ± 15%   | 0.21              | 0.85                        |                |
| NPI73T390LTRF | 39 ± 15%   | 0.27              | 0.75                        |                |
| NPI73T470LTRF | 47 ± 15%   | 0.31              | 0.70                        |                |
| NPI73T560KTRF | 56 ± 10%   | 0.39              | 0.65                        |                |
| NPI73T680KTRF | 68 ± 10%   | 0.43              | 0.60                        |                |
| NPI73T820KTRF | 82 ± 10%   | 0.49              | 0.50                        |                |
| NPI73T101KTRF | 100 ± 10%  | 0.65              | 0.45                        |                |
| NPI73T121KTRF | 120 ± 10%  | 0.7               | 0.40                        |                |
| NPI73T151KTRF | 150 ± 10%  | 0.85              | 0.35                        |                |
| NPI73T181KTRF | 180 ± 10%  | 1.1               | 0.33                        |                |
| NPI73T221KTRF | 220 ± 10%  | 1.25              | 0.30                        |                |
| NPI73T271KTRF | 270 ± 10%  | 1.45              | 0.28                        |                |
| NPI73T331KTRF | 330 ± 10%  | 2                 | 0.25                        |                |
| NPI73T391KTRF | 390 ± 10%  | 2.25              | 0.23                        |                |
| NPI73T471KTRF | 470 ± 10%  | 2.6               | 0.22                        |                |
| NPI73T561KTRF | 560 ± 10%  | 3.7               | 0.20                        |                |
| NPI73T681KTRF | 680 ± 10%  | 4.3               | 0.18                        |                |
| NPI73T821KTRF | 820 ± 10%  | 4.9               | 0.16                        |                |
| NPI73T102KTRF | 1000 ± 10%   | 5.6               | 0.15                        |                |

Maximum +40°C temperature rise at Irms. Maximum -10% inductance change at Isat.



| Part Number   | STANDARD VALUES - 75 CASE SIZE (7.0 x 7.0 x 4.9mm) |                   |                             | Test Frequency |
|---------------|--|-------------------|-----------------------------|----------------|
|               | Inductance Value (µH)                              | DC Resistance (Ω) | DC Current Isat/Irms (Amps) |                |
| NPI75T1R0MTRF | 1.0 ± 20%  | 0.023             | 3.50                        | 100KHz         |
| NPI75T1R5MTRF | 1.5 ± 20%  | 0.028             | 3.30                        |                |
| NPI75T2R2MTRF | 2.2 ± 20%  | 0.033             | 3.20                        |                |
| NPI75T3R3MTRF | 3.3 ± 20%  | 0.040             | 2.780                       |                |
| NPI75T4R7MTRF | 4.7 ± 20%  | 0.050             | 2.50                        |                |
| NPI75T6R8MTRF | 6.8 ± 20%  | 0.060             | 2.20                        |                |
| NPI75T100MTRF | 10 ± 20%   | 0.075             | 2.00                        |                |
| NPI75T120MTRF | 12 ± 20%   | 0.085             | 1.90                        |                |
| NPI75T150LTRF | 15 ± 15%   | 0.090             | 1.50                        |                |
| NPI75T180LTRF | 18 ± 15%   | 0.100             | 1.40                        |                |
| NPI75T220LTRF | 22 ± 15%   | 0.120             | 1.30                        |                |
| NPI75T270LTRF | 27 ± 15%   | 0.150             | 1.20                        |                |
| NPI75T330LTRF | 33 ± 15%   | 0.180             | 1.10                        |                |
| NPI75T390LTRF | 39 ± 15%   | 0.190             | 1.00                        |                |
| NPI75T470LTRF | 47 ± 15%   | 0.220             | 0.90                        |                |
| NPI75T560KTRF | 56 ± 10%   | 0.250             | 0.85                        |                |
| NPI75T680KTRF | 68 ± 10%   | 0.270             | 0.80                        |                |
| NPI75T820KTRF | 82 ± 10%   | 0.380             | 0.70                        |                |
| NPI75T101KTRF | 100 ± 10%  | 0.420             | 0.65                        |                |
| NPI75T121KTRF | 120 ± 10%  | 0.520             | 0.60                        |                |
| NPI75T151KTRF | 150 ± 10%  | 0.580             | 0.50                        |                |
| NPI75T181KTRF | 180 ± 10%  | 0.650             | 0.45                        |                |
| NPI75T221KTRF | 220 ± 10%  | 0.880             | 0.40                        |                |
| NPI75T271KTRF | 270 ± 10%  | 0.990             | 0.35                        |                |
| NPI75T331KTRF | 330 ± 10%  | 1.100             | 0.32                        |                |
| NPI75T391KTRF | 390 ± 10%  | 1.400             | 0.30                        |                |
| NPI75T471KTRF | 470 ± 10%  | 1.900             | 0.28                        |                |
| NPI75T561KTRF | 560 ± 10%  | 2.200             | 0.25                        |                |
| NPI75T681KTRF | 680 ± 10%  | 2.500             | 0.22                        |                |
| NPI75T821KTRF | 820 ± 10%  | 2.900             | 0.20                        |                |
| NPI75T102KTRF | 1000 ± 10%   | 4.000             | 0.18                        |                |

Maximum +40°C temperature rise at Irms. Maximum -10% inductance change at Isat.



| Part Number    | STANDARD VALUES - 103 CASE SIZE (10.0 x 10.0 x 3.3mm) |                   |                             |                |
|----------------|---|-------------------|-----------------------------|----------------|
|                | Inductance Value (μH)                                 | DC Resistance (Ω) | DC Current Isat/Irms (Amps) | Test Frequency |
| NPI103T1R8MTRF | 1.8 ± 20%   | 0.027             | 4.00                        | 100KHz         |
| NPI103T2R2MTRF | 2.2 ± 20%   | 0.030             | 3.65                        |                |
| NPI103T3R3MTRF | 3.3 ± 20%   | 0.035             | 3.15                        |                |
| NPI103T4R7MTRF | 4.7 ± 20%   | 0.040             | 3.00                        |                |
| NPI103T6R8MTRF | 6.8 ± 20%   | 0.050             | 2.35                        |                |
| NPI103T100MTRF | 10 ± 20%  | 0.060             | 2.20                        |                |
| NPI103T120MTRF | 12 ± 20%  | 0.080             | 2.00                        |                |
| NPI103T150MTRF | 15 ± 20%  | 0.100             | 1.75                        |                |
| NPI103T180LTRF | 18 ± 15%  | 0.110             | 1.70                        |                |
| NPI103T220LTRF | 22 ± 15%  | 0.140             | 1.60                        |                |
| NPI103T270LTRF | 27 ± 15%  | 0.160             | 1.40                        |                |
| NPI103T330LTRF | 33 ± 15%  | 0.210             | 1.20                        |                |
| NPI103T390LTRF | 39 ± 15%  | 0.235             | 1.10                        |                |
| NPI103T470LTRF | 47 ± 15%  | 0.280             | 1.00                        |                |
| NPI103T560LTRF | 56 ± 15%  | 0.320             | 0.90                        |                |
| NPI103T680LTRF | 68 ± 15%  | 0.370             | 0.85                        |                |
| NPI103T820LTRF | 82 ± 15%  | 0.430             | 0.74                        |                |
| NPI103T101KTRF | 100 ± 10%   | 0.560             | 0.70                        |                |
| NPI103T121KTRF | 120 ± 10%   | 0.640             | 0.60                        |                |
| NPI103T151KTRF | 150 ± 10%   | 0.730             | 0.55                        |                |
| NPI103T181KTRF | 180 ± 10%   | 0.960             | 0.50                        |                |
| NPI103T221KTRF | 220 ± 10%   | 1.100             | 0.48                        |                |
| NPI103T271KTRF | 270 ± 10%   | 1.240             | 0.45                        |                |
| NPI103T331KTRF | 330 ± 10%   | 1.640             | 0.38                        |                |
| NPI103T391KTRF | 390 ± 10%   | 1.790             | 0.35                        |                |
| NPI103T471KTRF | 470 ± 10%   | 2.050             | 0.30                        |                |
| NPI103T561KTRF | 560 ± 10%   | 2.890             | 0.29                        |                |
| NPI103T681KTRF | 680 ± 10%   | 3.240             | 0.27                        |                |
| NPI103T821KTRF | 820 ± 10%   | 3.700             | 0.25                        |                |
| NPI103T102KTRF | 1000 ± 10%  | 7.000             | 0.24                        |                |

Maximum +40°C temperature rise at Irms. Maximum -10% inductance change at Isat.

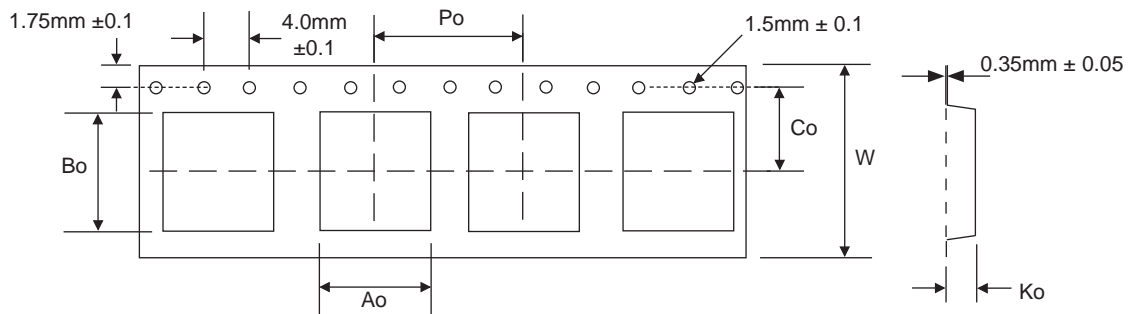
| Part Number    | STANDARD VALUES - 104 CASE SIZE (10.0 x 10.0 x 4.9mm) |                   |                             |                |
|----------------|---|-------------------|-----------------------------|----------------|
|                | Inductance Value (µH)                                 | DC Resistance (Ω) | DC Current Isat/Irms (Amps) | Test Frequency |
| NPI104T1R8MTRF | 1.8 ± 20%   | 0.023             | 5.50                        | 100KHz         |
| NPI104T2R2MTRF | 2.2 ± 20%   | 0.025             | 5.00                        |                |
| NPI104T3R3MTRF | 3.3 ± 20%   | 0.030             | 4.50                        |                |
| NPI104T4R7MTRF | 4.7 ± 20%   | 0.035             | 4.00                        |                |
| NPI104T6R8MTRF | 6.8 ± 20%   | 0.040             | 3.80                        |                |
| NPI104T100MTRF | 10 ± 20%  | 0.050             | 3.30                        |                |
| NPI104T120MTRF | 12 ± 20%  | 0.055             | 3.20                        |                |
| NPI104T150MTRF | 15 ± 20%  | 0.065             | 3.00                        |                |
| NPI104T180LTRF | 18 ± 15%  | 0.070             | 2.70                        |                |
| NPI104T220LTRF | 22 ± 15%  | 0.080             | 2.60                        |                |
| NPI104T270LTRF | 27 ± 15%  | 0.090             | 2.40                        |                |
| NPI104T330LTRF | 33 ± 15%  | 0.110             | 2.00                        |                |
| NPI104T390LTRF | 39 ± 15%  | 0.120             | 1.90                        |                |
| NPI104T470LTRF | 47 ± 15%  | 0.130             | 1.80                        |                |
| NPI104T560LTRF | 56 ± 15%  | 0.180             | 1.60                        |                |
| NPI104T680LTRF | 68 ± 15%  | 0.210             | 1.40                        |                |
| NPI104T820LTRF | 82 ± 15%  | 0.240             | 1.30                        |                |
| NPI104T101KTRF | 100 ± 10%   | 0.290             | 1.20                        |                |
| NPI104T121KTRF | 120 ± 10%   | 0.340             | 1.10                        |                |
| NPI104T151KTRF | 150 ± 10%   | 0.470             | 1.00                        |                |
| NPI104T181KTRF | 180 ± 10%   | 0.530             | 0.90                        |                |
| NPI104T221KTRF | 220 ± 10%   | 0.730             | 0.80                        |                |
| NPI104T271KTRF | 270 ± 10%   | 0.830             | 0.70                        |                |
| NPI104T331KTRF | 330 ± 10%   | 0.990             | 0.65                        |                |
| NPI104T391KTRF | 390 ± 10%   | 1.100             | 0.60                        |                |
| NPI104T471KTRF | 470 ± 10%   | 1.250             | 0.55                        |                |
| NPI104T561KTRF | 560 ± 10%   | 1.600             | 0.50                        |                |
| NPI104T681KTRF | 680 ± 10%   | 1.800             | 0.45                        |                |
| NPI104T821KTRF | 820 ± 10%   | 2.060             | 0.40                        |                |
| NPI104T102KTRF | 1000 ± 10%  | 2.800             | 0.38                        |                |

Maximum +40°C temperature rise at Irms. Maximum -10% inductance change at Isat.





| Case Size | TAPING DIMENSIONS (mm) |      |     |      |      |      | Qty/Reel |
|-----------|------------------------|------|-----|------|------|------|----------|
|           | Ao                     | Bo   | Ko  | Co   | W    | Po   |          |
| NPI63T    | 6.4                    | 6.4  | 3.3 | 7.5  | 16.0 | 12.0 | 1,000    |
| NPI64T    | 6.4                    | 6.4  | 4.3 | 7.5  | 16.0 | 12.0 |          |
| NPI65T    | 6.4                    | 6.4  | 5.0 | 7.5  | 16.0 | 12.0 |          |
| NPI73T    | 7.6                    | 7.6  | 3.4 | 7.5  | 16.0 | 12.0 |          |
| NPI75T    | 7.6                    | 7.6  | 5.0 | 7.5  | 16.0 | 12.0 |          |
| NPI103T   | 10.4                   | 10.4 | 3.5 | 11.5 | 24.0 | 16.0 | 600      |
| NPI104T   | 10.4                   | 10.4 | 5.0 | 11.5 | 24.0 | 16.0 |          |



| Tape Width | REEL DIMENSIONS (mm) |         |         |       |
|------------|----------------------|---------|---------|-------|
|            | A(mm)                | B(mm)   | C(mm)   | D(mm) |
| 16mm       | 16.0 ±0.5            | 75 ±2.0 | 13 ±0.5 | 330   |
| 24mm       | 24.5 ±0.5            |         |         |       |

