

### 6. Low DC Resistance Type EA



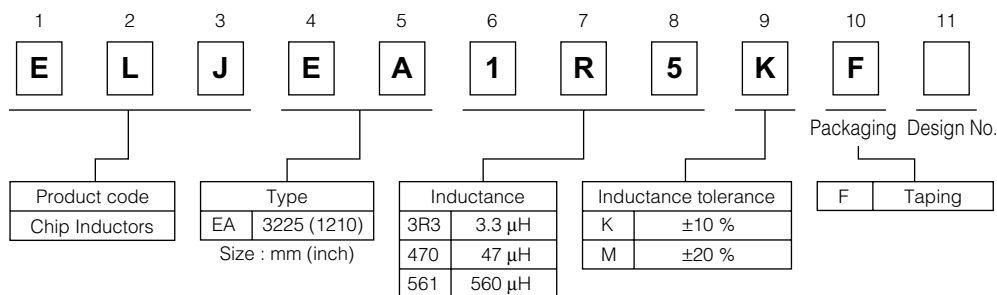
#### ■ Features

- Low DCR, suitable for power circuitry.
- Magnetic shield effect using ferrite mixed outer molding.
- Capable of being Re-flow or flow soldered.
- Good for mounting.
- RoHS compliant

#### ■ Recommended Applications

- AV equipment, Wireless communication equipment and various types of general electronic equipment.

#### ■ Explanation of Part Numbers



#### ■ Storage Conditions

- Package : Normal temperature (−5 to 35 °C), normal humidity (85 %RH max.), shall not be exposed to direct sunlight and harmful gases and care should be taken so as not to cause dew.
- Operating Temperature : −20 to +85 °C

#### ■ Storage Period

- Solderability may be reduced due to the conditions of high temperature and high humidity which causes the oxidation of tin-plated terminals. Even if storage conditions are within specified limits, solderability may be reduced with the passage of time. Therefore, please control the storage conditions and try to use the product within 6 months of receipt.

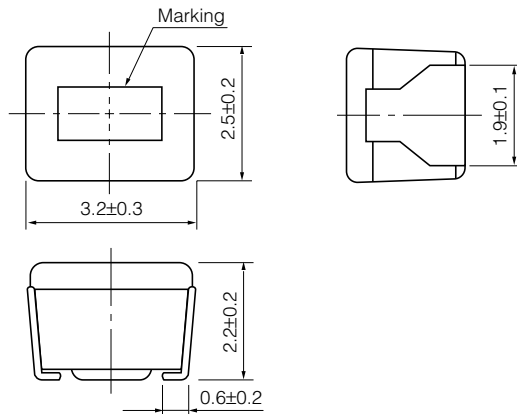
■ Packaging Methods                      Please see Page 127

■ Soldering Conditions                      Please see Page 128

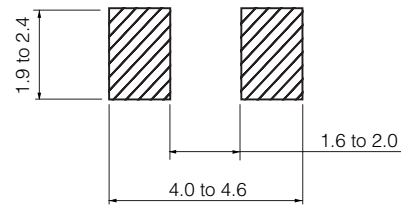
■ Safety Precautions                      Please see Page 129

### ■ EA Type 3225 (1210)

#### ● Dimensions in mm (not to scale)



#### ● Recommended Land Pattern in mm (not to scale)



### ■ Standard Packing Quantity

- 2000 pcs./Reel

### ■ Standard Parts

Part No.	Inductance			Q		SRF *1 (MHz) min.	R <sub>DC</sub> *2 (Ω) max.	DC Current (mA) max.
	(μH)	Tolerance (%)	Test Freq. (MHz)	min.	Test Freq. (MHz)			
ELJ EA1R0MF	1.0	M : ±20 %	7.96	7	7.96	100	0.07	500
ELJ EA1R5MF	1.5					80	0.08	390
ELJ EA2R2MF	2.2					65	0.10	350
ELJ EA3R3MF	3.3					50	0.12	270
ELJ EA4R7MF	4.7					46	0.14	240
ELJ EA6R8MF	6.8					36	0.19	200
ELJ EA100KF	10	K : ±10 %	2.52	10	2.52	29	0.26	160
ELJ EA150KF	15					25	0.32	145
ELJ EA220KF	22					18	0.50	115
ELJ EA330KF	33					16	0.70	95
ELJ EA470KF	47					13	1.0	80
ELJ EA680KF	68					10	1.5	60
ELJ EA101KF	100					8.0	2.4	50
ELJ EA151KF	150					7.0	3.1	45
ELJ EA221KF	220					5.0	5.5	35
ELJ EA331KF	330					4.0	7.1	30

\*1 : Self Resonant Frequency \*2 : DC Resistance