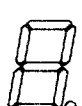
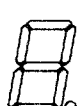
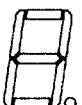
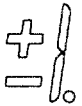


# LED DISPLAY

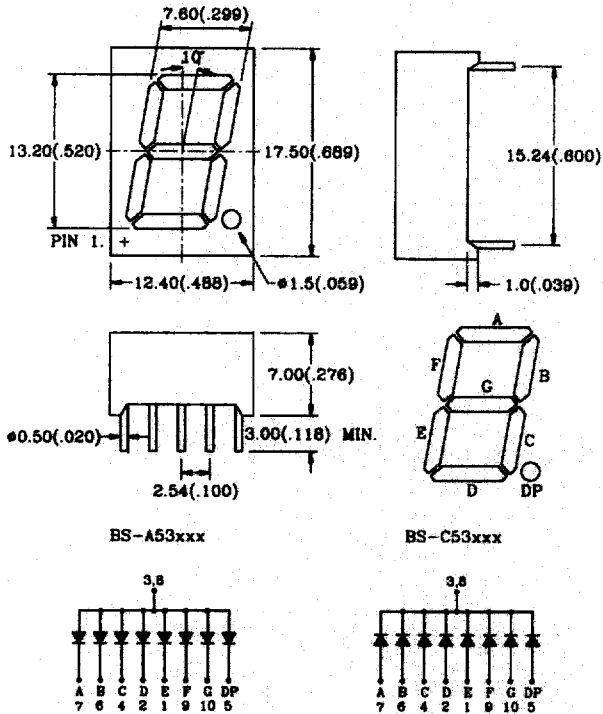
## SINGLE DIGIT LED DISPLAYS

Digit Size	Part No.		Chip		Absolute Maximum Ratings				Electro-optical Data(At 10mA)			Drawing No.	
	Common Anode	Common Cathode	Emitted Color	Peak Wave Length $\lambda_p$ (nm)	$\Delta\lambda$ (nm)	Pd(mW)	If(mA)	Peak If(mA)	Vf(V)		Iv Typ. Per Seg. (mcd)		
									Typ.	Max.			
 0.52"	BS-A531RD	BS-C531RD	Red	655	40	110	40	200	1.6	2.0	0.9	SD-09	
	BS-A535RD	BS-C535RD	Bright Red	700	90	50	15	50	2.1	2.5	1.2		
	BS-A535RE	BS-C535RE											
	BS-A532RD	BS-C532RD	Green	568	30	100	30	150	2.1	2.5	2.8		
	BS-A533RD	BS-C533RD	Yellow	585	35	100	30	150	2.0	2.5	2.0		
	BS-A534RD	BS-C534RD	Hi-Eff Red	635	45	100	30	150	1.9	2.5	2.5		
			Orange										
	BS-A536RD	BS-C536RD	Super Red	660	20	60	20	150	1.7	2.5	5.0		
	 0.52"	BS-A541RD	BS-C541RD	Red	655	40	110	40	200	1.6	2.0	0.9	SD-10
		BS-A545RD	BS-C545RD	Bright Red	700	90	50	15	50	2.1	2.5	1.2	
		BS-A545RE	BS-C545RE										
		BS-A542RD	BS-C542RD	Green	568	30	100	30	150	2.1	2.5	2.8	
		BS-A543RD	BS-C543RD	Yellow	585	35	100	30	150	2.0	2.5	2.0	
		BS-A544RD	BS-C544RD	Hi-Eff Red	635	45	100	30	150	1.9	2.5	2.5	
Orange													
BS-A546RD	BS-C546RD	Super Red	660	20	60	20	150	1.7	2.5	5.0			
 0.56"	BS-A511RD	BS-C511RD	Red	655	40	110	40	200	1.6	2.0	0.9	SD-11	
	BS-A515RD	BS-C515RD	Bright Red	700	90	50	15	50	2.1	2.5	1.2		
	BS-A515RE	BS-C515RE											
	BS-A512RD	BS-C512RD	Green	568	30	100	30	150	2.1	2.5	2.8		
	BS-A513RD	BS-C513RD	Yellow	585	35	100	30	150	2.0	2.5	2.0		
	BS-A514RD	BS-C514RD	Hi-Eff Red	635	45	100	30	150	1.9	2.5	2.5		
			Orange										
BS-A516RD	BS-C516RD	Super Red	660	20	60	20	150	1.7	2.5	5.0			
 0.56"	BF-A511RD	BF-C511RD	Red	655	40	110	40	200	1.6	2.0	0.9	SD-12	
	BF-A515RD	BF-C515RD	Bright Red	700	90	50	15	50	2.1	2.5	1.2		
	BF-A515RE	BF-C515RE											
	BF-A512RD	BF-C512RD	Green	568	30	100	30	150	2.1	2.5	2.8		
	BF-A513RD	BF-C513RD	Yellow	585	35	100	30	150	2.0	2.5	2.0		
	BF-A514RD	BF-C514RD	Hi-Eff Red	635	45	100	30	150	1.9	2.5	2.5		
			Orange										
BF-A516RD	BF-C516RD	Super Red	660	20	60	20	150	1.7	2.5	5.0			

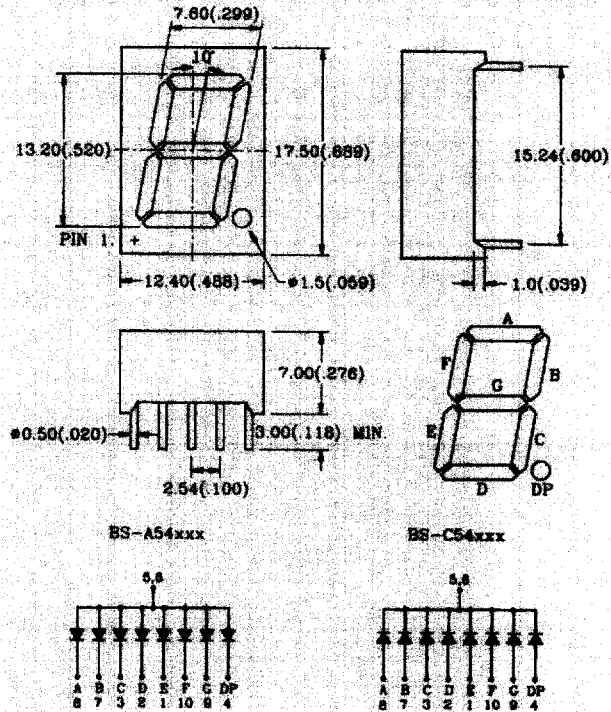
Remark: • The average luminous intensity is obtained by summing the luminous intensity of each segment and dividing by total number of segments.  
 • Above part numbers are all with black surface and white segment. For part numbers with other surface and segment color combinations, please check the selection guide(part number system).

# LED DISPLAY

## SD-09 BS-A53xxx Series



## SD-10 BS-A54xxx Series

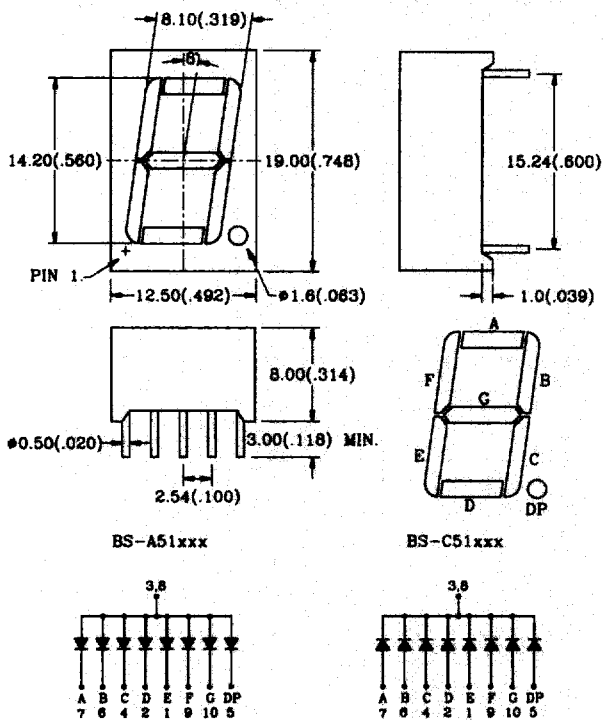


## PACKAGE DIMENSIONS

### NOTES:

1. All Dimensions are in millimeters (inches)
2. Tolerance is  $\pm 0.25\text{mm}$  (.010") unless otherwise specified
3. Specifications are subject to change without notice.
4. NP: No Pin
5. NC: No Connect.

## SD-11 BS-A51xxx Series



## SD-12 BF-A51xxx Series

