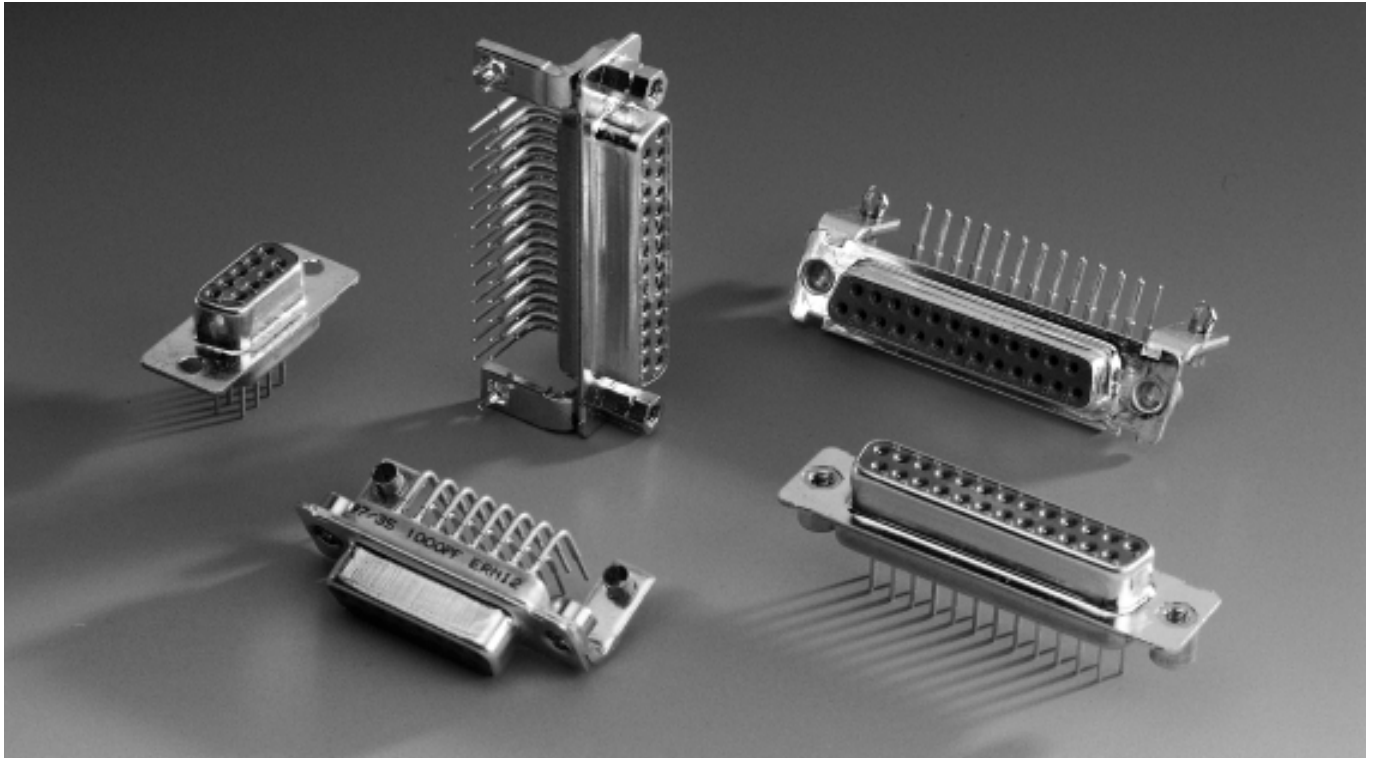


D-Sub Connectors

Female connectors straight and right angle with filter contacts
acc. to DIN 41 625/IEC 807-3, MIL-C-24308

TMC-Filter series



General

Interference-free data transmission in modern systems used in communication and information technology requires protective measures wherever signals enter or leave devices and components.

The D-Sub connectors from the TMC-Filter series are the ideal instruments to suppress electro-magnetic interference (EMI) or radio frequency (RFI).

The line of D-Sub filter connectors has now been extended with the new range of female filter connectors in straight or right angle version.

The new female TMC filter connectors have high quality ceramic capacitors for effective filter function.

Additional design features provided with the TMC filter series are a very good low-resistance ground connection between the filters and the D-Sub metal housing.

Main features

- High quality ceramic filters (capacitors)
- Filters with capacitances from 330 pF to 1500pF
- Housing sizes with the pin numbers: 9, 15, 25, 37
- Female versions with straight or right angle contacts
- EMC housing with high shielding efficiency
- Metal housing with laminated ribbing on pin housing to provide optimum shielding and contacting with socket housing
- Housing on connection side sealed against RF interference owing to fully encapsulated metal backplane housing
- Very good low-resistance ground connection by means of solid fixing bolts integrated in connector
- Flexibility for different PCB thickness with pushfit clip from 1.4 up to 4.5 mm
- International approvals

Accessories

For EMI/RFI shielding and ESD protection with the benefit of easy assembly and disassembly is the new D-Sub cable connector housing KSG 200 the right solution.

Electrical and mechanical data

Design acc. to DIN 41 652, IEC 807-3		A	B
Termination		Solder termination, straight	Solder termination, right angle
Number of pins		2 rows: 9, 15, 25, 37	
Temperature range		-25°...+85° C	
Permissible humidity		Annual average ≤ 80%, max. 100%	
Operating current at ambient temperature	A +20° C +70° C +100° C	5.0 3.0 1.5	2.8 2.0 1.2
Test voltage, 1 min Contact/contact	V DC	200	
Volume resistance	mΩ	9-37 pins ≤ 10	9-37 pins ≤ 25
Insulation resistance		≥ 5 x 10 ⁹ at 100 VDC	
Service life		Performance level 2 ≥ 250 mating cycles	
Insertion and withdrawal force for fully loaded connector	N	9 pins ≤ 30 / ≤ 20 15 pins ≤ 50 / ≤ 33 25 pins ≤ 83 / ≤ 56 37 pins ≤ 123 / ≤ 82	
Insulating body material		Thermoplastic	
Inflammability of the plastic		UL 94 V-0	
Metal housing with surface		Steel with Sn over Ni	
Contact material		Cu alloy	
Contact plating		Au over Ni	

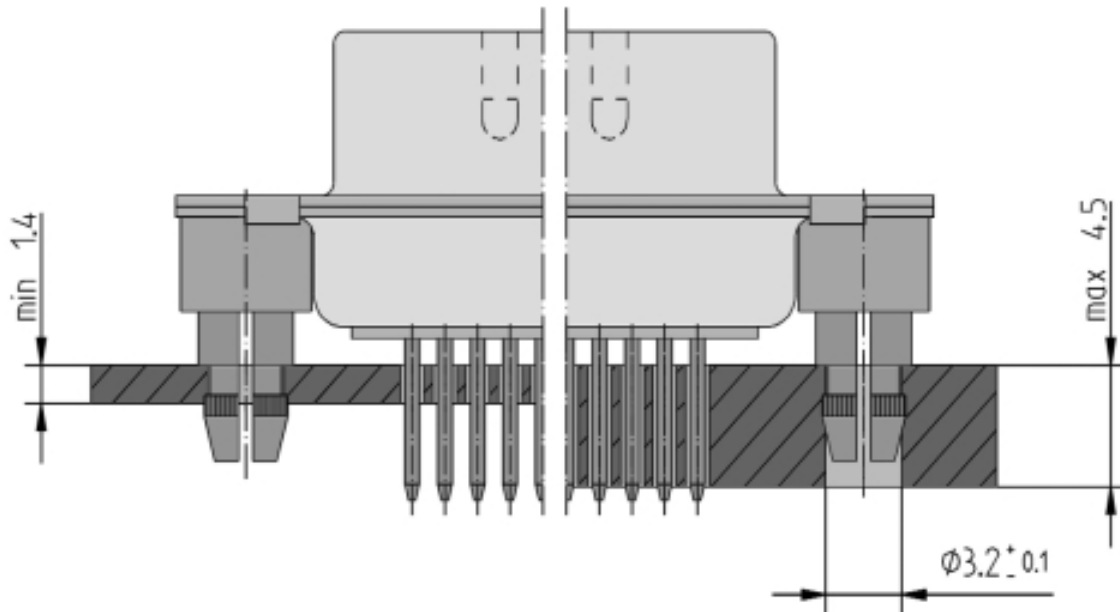
Capacitance tolerances

Filter capacitance (pF)	330	470	680	1000	1500
Capacitance tolerance (pF)	± 20%				

Insertion loss

Frequency [MHz]	Insertion loss [dB] acc. to MIL-STD 220 at T=25° C; no load				
	330 pF	470 pF	680 pF	1000 pF	1500 pF
10					3
30	2	7	10	14	20
100	9	18	22	27	31
300	18	27	30	35	39
1000	28	32	37	42	47
1000	31	36	42	46	51

Principle of the pushfit clip for PC board thickness from 1.4 mm up to 4.5 mm



Ordering information for straight versions

Capacitance value: 1000 pF (other values on request)

Number of pins	Thru hole	Clinch nut		Pushfit clip with clinch nut	
		clinch nut	Pushfit with	clinch nut	Pushfit clip with clinch nut
		M3		#4/40	
9	104294	104495	104503	104499	104507
15	104295	104496	104504	104500	104508
25	104296	104497	104505	104501	104509
37	104297	104498	104506	104502	104510

Ordering information for right angle versions

Capacitance value: 1000 pF (other values on request)

Number of pins	Metal bracket with pushfit clip and clinch nut	
	M3	#4/40
9	104298	104302
15	104299	104303
25	104300	104304
37	104301	104305

Professional and economical interface solutions

D-Sub Pressfit Connectors

straight and right angle versions
 right angle assembly height: Standard: 7.3 mm
 Eurorstyle: 3.6 mm
 High power versions up to 40A



D-Sub Cable Connector Housing KSG 200

High EMI/RFI Shielding and high ESD Protection
 Easy assembly and disassembly
 Complete kit incl. knurled screws



ERbic Bus Interface Connector System

Profibus, CAN-Bus, Interbus-S and Bitbus versions
 Bus keeps running via ERbic, if node is disconnected
 Horizontal or vertical cable entry.



IDC Systems acc. to DIN 41 651/IEC 602-13 LPV

PCB Headers with pressfit termination
 Assembly heights: Standard and Low Profile
 Female Ribbon Cable Connectors

