

VFTX302

TCXO with Voltage Control Option

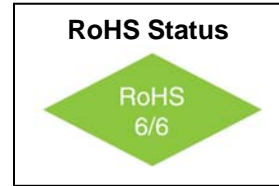
5x7mm SMD

Clipped Sine Wave



Features

- Frequency range of 10MHz to 40MHz
- Excellent Frequency Stability
- Low Phase noise
- Wide range of pullability options
- Low power consumption



Applications

- Portable equipment
- Telecommunications
- Data acquisition

Parameter	Symbol	Condition	Min	Typ	Max	Unit	Note
Frequency Range	F		10 26		40 40	MHz	5V 3V
Frequency Stability	$\Delta F/F$	Vs. Operating Temperature B: 0°C to +70°C G: -40°C to +85°C			0.5 2.5	ppm	
		Vs. Supply Voltage Vs. Aging / Year		± 0.2 ± 1		ppm/V ppm	
Operating Temperature Range	T		0° -40°		+70° +85°	°C	Order Code B Order Code G
Output		Clipped Sine	0.8Vp-p minimum				
Load		10K Ω /10pF					
Supply Voltage	V _{CC}	External 150pF decoupling capacitor recommended	4.75 3.15	5.00 3.30	5.25 3.45	V	Order Code D Order Code E
Voltage Control	V _C		0.5 0.5		4.5 2.5	V	
Input Impedance			1M			Ω	
Pullability						ppm	See Ordering Information
Deviation slope		<i>Monotonic positive</i>					
Linearity			-10		+10	ppm/V	
Modulation BW			10			KHz	3dB BW
SSB Phase Noise		@100 Hz @ 1 KHz @10 KHz		-115 -135 -150		dBc/Hz	Fo=13MHz
Start up					2	ms	



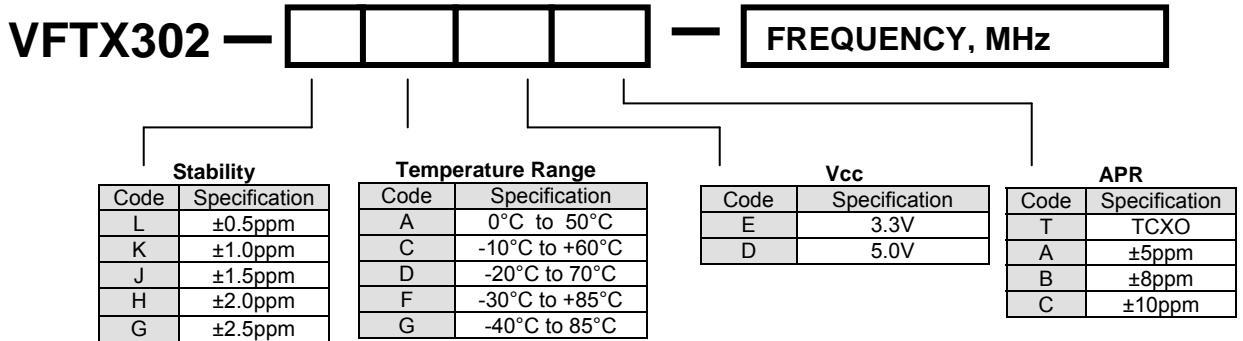
VFTX302

TCXO with Voltage Control Option

5x7mm Surface Mount, Clipped Sine Wave



How to Order

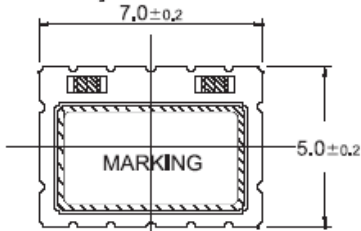


Freq. Vs Temp Availability

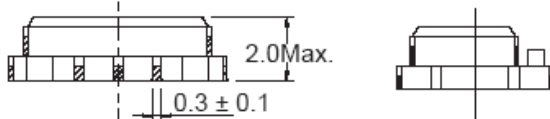
Temp (°C)	A: 0.5ppm	B: 1.0ppm
0°C to +50°C	♦	♦
-10°C to +60°C	o	♦
-20°C to +70°C	o	♦
-40°C to +85°C	o	♦

o case by case
♦ available

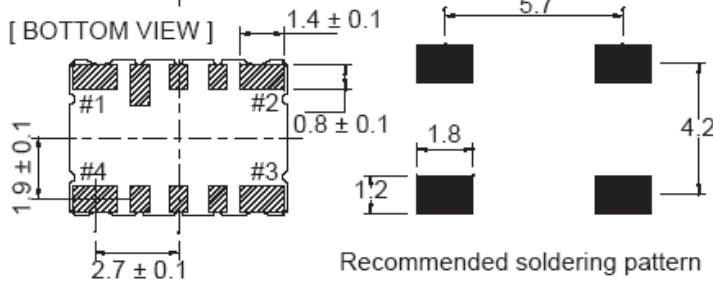
[TOP VIEW]



[SIDE VIEW]



[BOTTOM VIEW]



PIN	Specification
1	Vc or GND
2	GND
3	Output
4	Vcc

