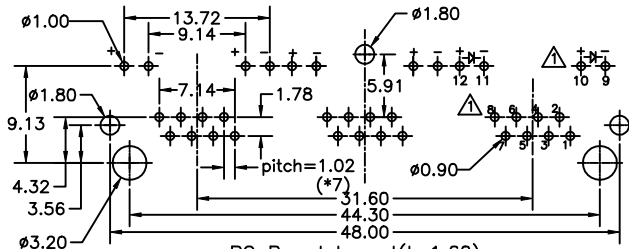
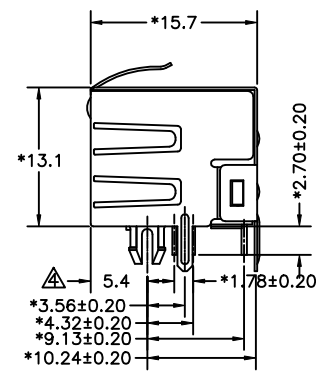
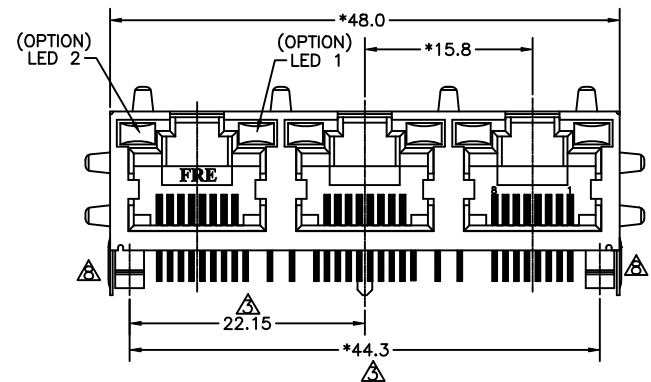
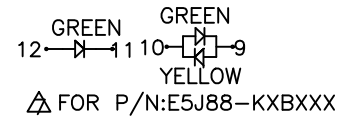
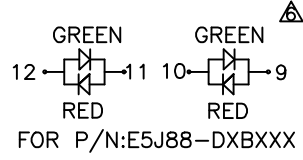


REVISION RECORD				
REV	ECO	DESCRIPTION	DRFT	CHKD
△		DRAWING MODIFY	Irondr 09/17/02'	
△		DRAWING MODIFY	Irondr 11/22/02'	
△		DRAWING MODIFY	Jawa 08/11/03'	
△		DIMENSION MODIFY	SHU 11/22/03'	
△		ADD P\N	Jawa 11/28/03'	
△		ADD P\N	SUNLL 08/05/04	
△		ADD P\N	PETERS 12/18/04	
△		DRAWING MODIFY	YANGLAN 08/22/05'	



PC Board Layout (t=1.60)
Component Side Shown
TOLERANCE ±0.08 UNLESS OTHERWISE SPECIFIED



NOTES:

ELECTRICAL:

- VOLTAGE RATING : 125 VAC RMS.
- CURRENT RATING : 1.5 AMP.
- CONTACT RESISTANCE : 30 MILLIOHMS MAX.
- INSULATION RESISTANCE: 1000 MEGOHMS MIN @ 500 VDC.
- DIELECTRIC STRENGTH : 1000 VAC RMS 60Hz, 1MIN.
- LED RATINGS: FORWARD VOLTAGE: 2.2 VOLTS TYPICAL.
REVERSE VOLTAGE: 5 VOLTS MAXIMUM. △
- OPERATING: 750 CYCLES MIN.

MECHANICAL:

- HOUSING MATERIAL : PBT+30%GF UL94V-0. COLOR-BLACK.
- INSERT MATERIAL : PBT+30%GF UL94V-0. COLOR-BLACK.
- BACK PLATE MATERIAL: PBT+30%GF. COLOR-BLACK.
- LED SIZE : 3.2*2.0*7.0*P=2.54mm. △
- SHIELD MATERIAL : COPPER ALLOY 0.25mm THICKNESS PLATING NI.
- CONTACT MATERIAL : PHOSPHOR BRONZE 0.35mm THICKNESS OR Ø0.46
- PLATING : GOLD PLATING OVER NICKEL.
- PCB RETENTION PRE-SOLDER : 1 LB MIN.
- PCB RETENTION POST-SOLDER: 10 LBS MIN.

ENVIRONMENTAL:

- STORAGE : -40°C TO +85°C.
 - OPERATION: 0°C TO 70°C.
- MATES WITH MODULAR PLUG CONFORMING TO FCC PART 68, SUBPART F.
CUL FILE No:E163191

PART NUMBER: E5J88 - X X B X X X

- 1-LED1:GREEN ,LED2:YELLOW.
- 2-LED1:GREEN ,LED2:GREEN.
- 3-LED1:YELLOW ,LED2:GREEN.
- 5-LED1:RED ,LED2:GREEN.
- 7-LED1:YELLOW ,LED2:YELLOW.
- △ D-LED1:G+R ,LED2:G+R.
- △ K-LED1:G+Y LED2:GREEN
- 1-NO TAB
- 2-TOP TABS, 3-SIDE TABS.
- 4-TOP TABS & SIDE TABS.

- PLATING: 1-3u"
- 2-6u", 3-15u"
- 4-30u", 5-50u"
- 1-PLATE Tin SHIELD STAMP PIN ,No3 ERA LED
- 2-PLATE Ni SHIELD STAMP PIN ,No3 ERA LED
- 3-PLATE Tin SHIELD ROUND PIN ,No3 ERA LED
- 4-PLATE Ni SHIELD ROUND PIN ,No3 ERA LED
- 0-W\O LOGO
- 2-W\ FRE LOGO △

← MM (INCH) →		DFTO Irondr	DATE 05/25/02	FULL RISE ELECTRONIC CO., LTD	
TOLERANCES EXCEPT AS NOTED		CHKD JAKE	DATE 2005/08/23		
DETACHED LISTS		MFO	DATE	TITLE	
MM	±	APPV LUSHENG	DATE 2005/08/23	RJ45 SIDE ENTRY LED GANG JACK 3 PORTS	
.0 ± 0.20	±	MATERIAL :		DRAWING NO. GE5J3031	
.00 ± 0.15	±	ANGLES ±		/PART NO. SEE NOTE	
.000 ± 0.075	±	THIRD ANGLE PROJECTION		SIZE A3	REV 8
SCALE : 2:1		DO NOT SCALE DRAWING		SHEET 1 OF 1	