



BOURNS®

Features

- 8, 10 or 16 position coded switch
- Miniature industrial switch multi-position
- Vertical adjust
- Rugged surface mount design
- Rugged lead frame construction

Applications

- Signal/circuit select
- Board address
- Test equipment

7743 SMD 7 mm Square Sealed Coded Switch

Electrical Characteristics

Contact Rating
 Maximum Current100 mA max.
 Maximum Voltage16 V
 Contact Resistance
100 milliohms max.
 Insulation Resistance1000 megohms
 Dielectric Strength250 volts

General Characteristics

Switch TypeBinary
 Operating Temperature Range
-55 °C to +125 °C
 Storage Temperature Range
-55 °C to +125 °C
 Seal Test85 °C Fluorinert*

Mechanical Characteristics

Positions8, 10 or 16
 Adjustment Detent Torque
0.2-2.0 N-cm

Environmental Characteristics

Shock100 G
 0.1 ms. max. discontinuity
 Vibration2 G
 0.1 ms. max. discontinuity
 Thermal Shock (5 cycles)
-55 °C to +125 °C
 Contact Resistance
100 milliohms max.
 Humidity
 Insulation Resistance
10 megohms min.
 Contact Resistance
100 milliohms max.
 Actuation Life1,000 steps
 Contact Resistance
100 milliohms max.
 Maximum Soldering Heat245 °C,
5 seconds
 Standard Packaging
 TubeJ, G = 50 pcs./tube
 H = 100 pcs./tube
 Tape & Reel250 pcs./reel

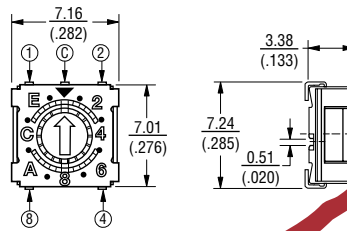
How to Order

7743 J - 1 - 008 E

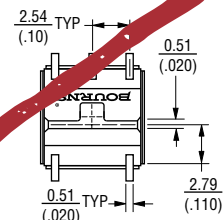
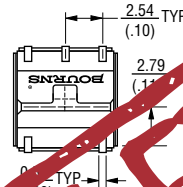
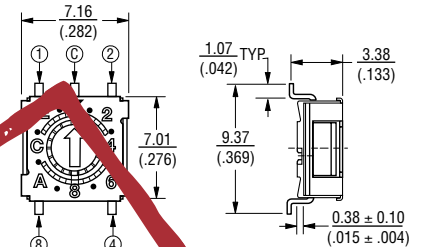
Model _____
 Terminal _____
 Switch Type _____
 1 = Standard
 Number of Positions _____
 008 = Binary coded octal
 010 = Binary coded decimal
 016 = Binary coded hexadecimal
 Embossed Tape Option _____
 (Omit letter for tube)

Product Dimensions

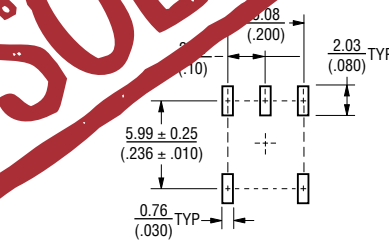
7743J



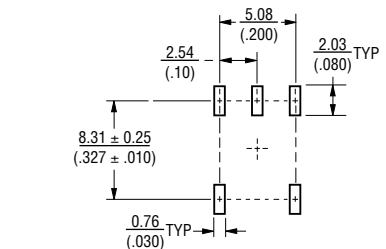
7743G



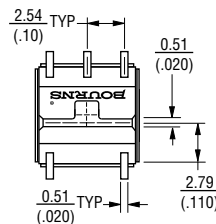
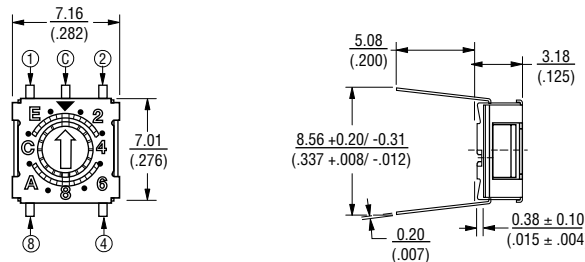
RECOMMENDED PCB LAYOUT



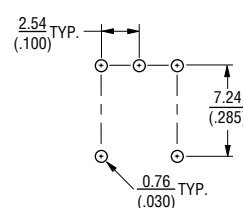
RECOMMENDED PCB LAYOUT



7743H



RECOMMENDED PCB LAYOUT



TOLERANCES: ±.2 EXCEPT WHERE NOTED.

DIMENSIONS: $\frac{MM}{(IN)}$

*"OFF" POSITION IS COMMON.

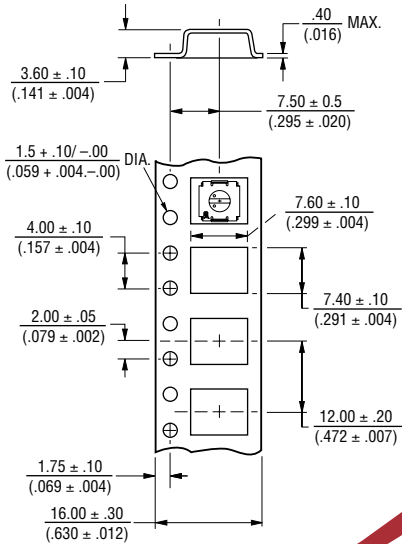
7743 SMD 7 mm Square Sealed Coded Switch

BOURNS®

Packaging Specifications

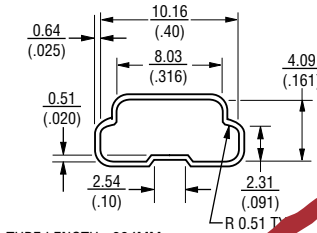
Binary (REAL) Code

7743 J&G



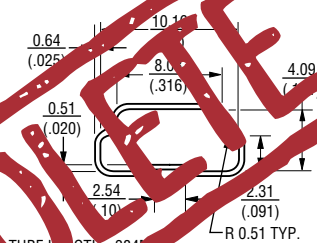
TAPE

7743 J



TUBE LENGTH - 384MM.
UNITS PACKAGED 50 PIECES PER TUBE.

7743 G



TUBE LENGTH - 384MM.
UNITS PACKAGED 50 PIECES PER TUBE.

8 POSITIONS (Binary Coded Octal)

	1	2	4	C	S
0				X	NC
1	X			X	NC
2		X		X	NC
3	X	X		X	NC
4			X	X	NC
5	X	X	X	X	NC
6		X	X	X	NC
7	X	X	X	X	NC

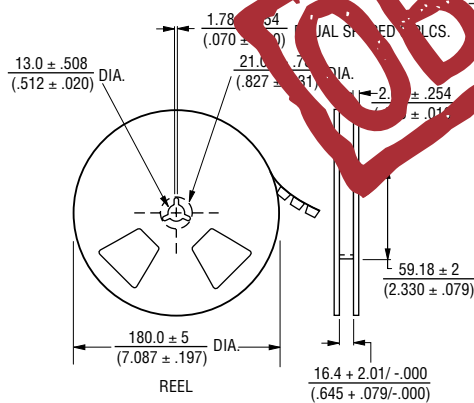
10 POSITIONS (Binary Coded Decimal)

	1	2	4	8	C
0					X
1	X				X
2		X			X
3	X	X			X
4			X		X
5	X	X	X		X
6		X	X		X
7	X	X	X		X
8				X	X
9	X			X	X

16 POSITIONS (Binary Coded Hexadecimal)

	1	2	4	8	C
0					X
1	X				X
2		X			X
3	X	X			X
4			X		X
5	X		X		X
6		X	X		X
7	X	X	X		X
8				X	X
9	X			X	X
A	X	X		X	X
B	X	X	X	X	X
C			X	X	X
D	X		X	X	X
E	X	X	X	X	X
F	X	X	X	X	X

X = Connection



REEL

Meets EIA 481

Reflow Soldering Profile

