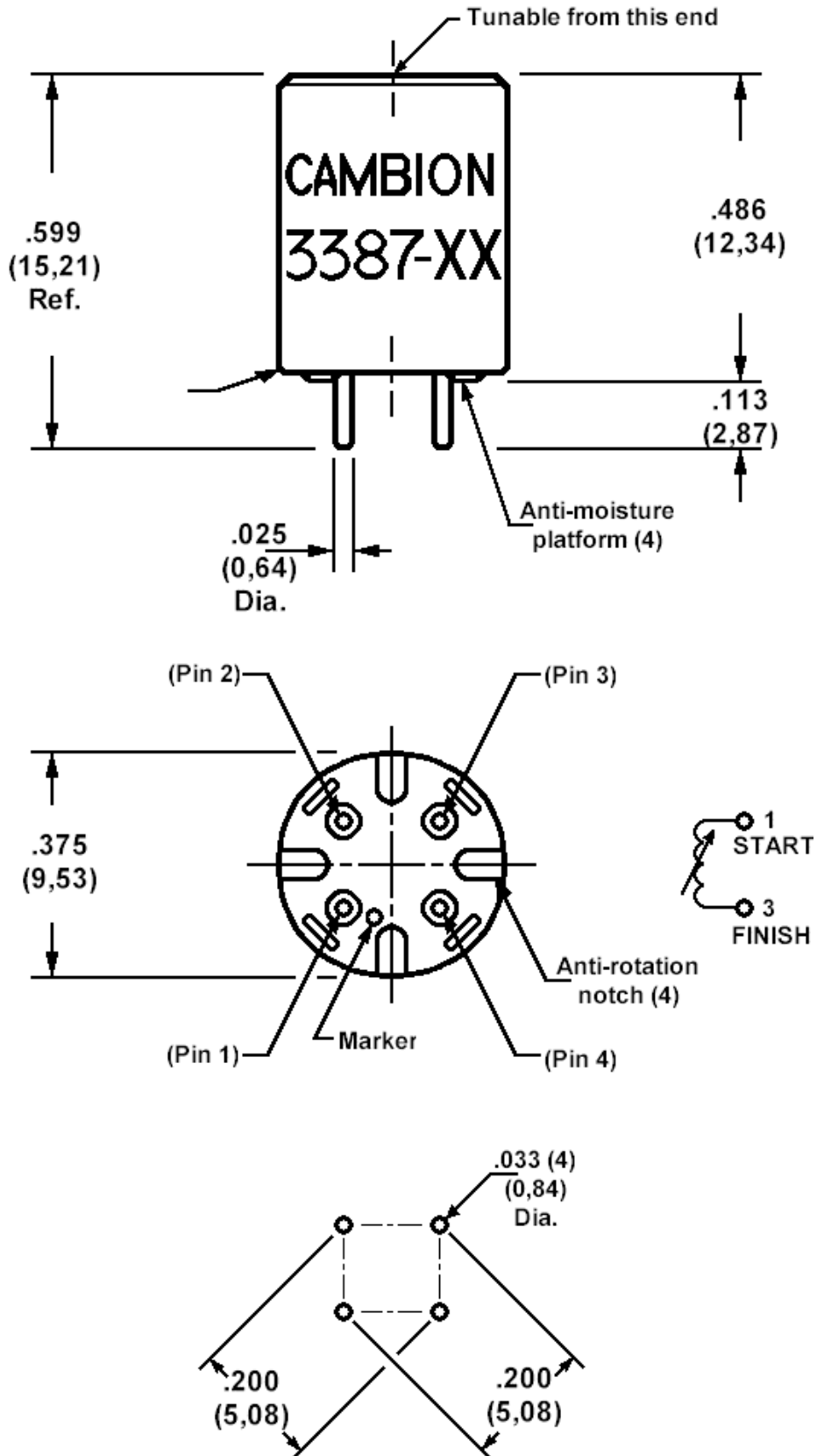


## Technical Data Sheet

558-3387, Variable Coil, Shielded, Vertical, 1.35 $\mu$ H thru 120mH (533-1181 Form)



**How to order code**  
**558-3387-XX-00-00**

Basic Part No (XX = Inductance range identifier. See table for options)

Basic Part No.	XX	Inductance L (µH)		Q Min.	Q Min.	Test Freq. (MHz)	DCR Max. (Ω)	DC Max. (mA)	SRF Min. (MHz)
		Min.	Max.	@ L Min	@ L Max				
558-3387	-01	1.35	1.65	80	85	7.90	.10	157.0	104.0
	-02	1.65	1.98	80	80	7.90	.11	157.0	92.0
	-03	1.98	2.42	80	85	7.90	.12	157.0	84.0
	-04	2.43	2.97	80	85	7.90	.13	157.0	81.0
	-05	2.97	3.63	80	80	7.90	.14	157.0	55.0
	-06	3.51	4.29	85	90	7.90	.16	157.0	46.0
	-07	4.25	5.10	85	80	7.90	.18	157.0	36.0
	-08	5.10	6.14	85	85	7.90	.20	157.0	33.0
	-09	6.14	7.48	100	100	7.90	.40	64.0	37.0
	-10	7.40	9.00	85	85	7.90	.50	64.0	28.0
	-11	9.00	11.0	80	80	7.90	.52	64.0	20.0
	-12	11.0	13.0	75	80	2.50	.55	64.0	15.0
	-13	13.5	16.5	85	85	2.50	.65	64.0	12.0
	-14	16.5	19.8	65	80	2.50	.70	64.0	10.0
	-15	19.8	24.0	70	90	2.50	.75	64.0	9.6
	-16	28.0	38.0	65	80	2.50	1.0	64.0	8.8
	-17	40.0	54.0	65	85	2.50	1.3	64.0	7.2
	-18	58.0	78.0	60	75	2.50	1.4	64.0	6.4
	-19	85.0	115.0	45	60	2.50	1.9	64.0	4.8
	-20	127.0	173.0	55	75	.790	2.8	64.0	4.1
	-21	176.0	263.0	50	70	.790	3.2	64.0	3.7
	-22	263.0	395.0	60	85	.790	4.0	64.0	3.0
	-23	377.0	565.0	45	65	.790	6.0	48.0	2.8
	-24	542.0	820.0	45	65	.790	7.5	48.0	2.3
	-25	800.0	1200	45	65	.790	13.0	32.0	1.9
	-26	1200	1800	35	65	.250	15.0	25.0	.84
	-27	1760	2630	40	65	.250	20.0	25.0	.83
	-28	2630	3950	35	65	.250	25.0	25.0	.81
	-29	3760	5650	35	60	.250	44.0	16.0	.73
	-30	5450	8200	35	55	.250	55.0	16.0	.63
	-31	8000	12000	35	50	.250	90.0	10.2	.49
	-32	12000	18000	18	30	.079	130.0	10.2	.36
	-33	17600	26300	15	30	.079	160.0	10.2	.34
	-34	26300	39500	15	25	.079	240.0	7.8	.32
	-35	37600	56500	15	25	.079	420.0	5.8	.23
	-36	54500	82000	15	25	.079	500.0	4.8	.17
	-37	80000	120000	15	25	.079	940.0	4.0	.18

**Technical Data Sheet****Core and Cup Core Material is:-**

-01 thru -37 High Q Ferrite

Windings are varnish impregnated and ferrite components are moisture proofed

Temperature range: -55°C to +105°C

Dimensional Tolerance (unless otherwise stated) -  $\pm .005$  (0,13)

Recommended tuning tool - 435-2033-01-00-00