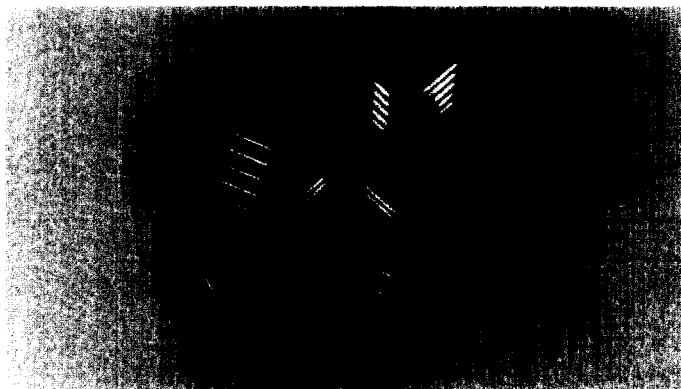


# .100" (2.54 mm) Header



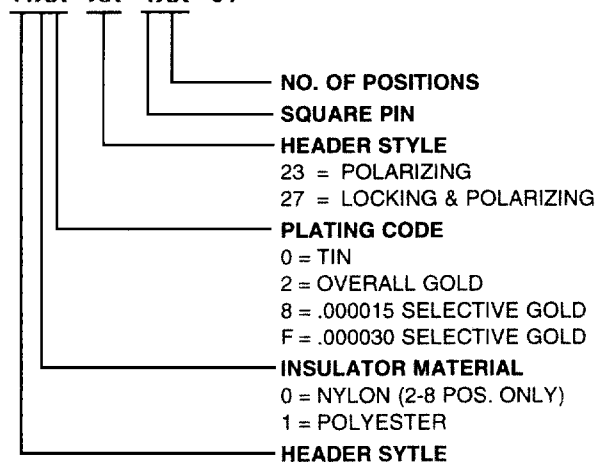
## 1100-23 & 1100-27 Right Angle

Right angle locking polarizing headers with preinserted .025" square pins. Allows many design options, when low profile or locked interconnects are required. Mates with 1300 series crimp or IDC style connectors.

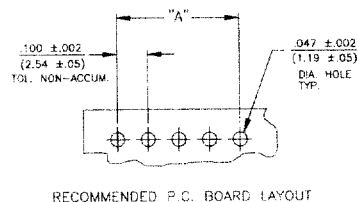
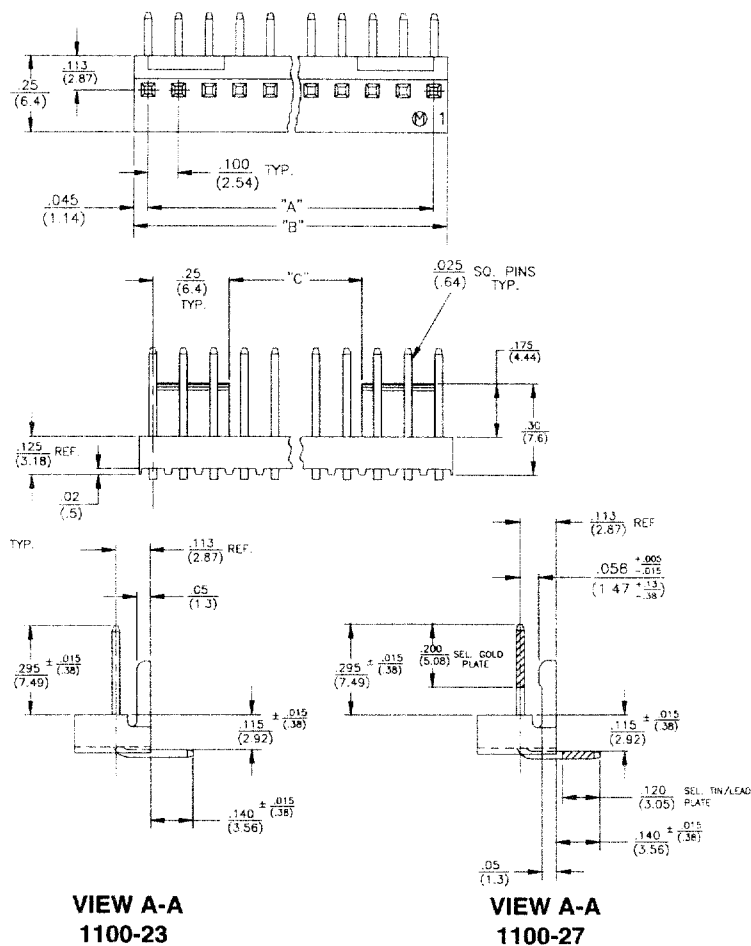
**Housing Material:** Nylon 94V-0

**Pins:** Plated Phosphor Bronze

### PART NUMBER CODING 11XX - XX - 1XX - 01



PART NUMBER	NO. OF POS.	"A" ±.005(±.13)	"B" ±.010(±.25)	"C" ±.010 (±.25)
11XX-XX-102-XX	2	.100 (2.54)	.190 (4.38)	SEE NOTE
11XX-XX-103-XX	3	.200 (5.08)	.290 (7.37)	
11XX-XX-104-XX	4	.300 (7.62)	.390 (9.91)	
11XX-XX-105-XX	5	.400 (10.16)	.490 (12.45)	
11XX-XX-106-XX	6	.500 (12.70)	.590 (14.99)	SEE NOTE
11XX-XX-107-XX	7	.600 (15.24)	.690 (17.53)	.100 (2.54)
11XX-XX-108-XX	8	.700 (17.78)	.790 (20.07)	200 (5.08)
11XX-XX-109-XX	9	.800 (20.32)	.890 (22.61)	300 (7.62)
11XX-XX-110-XX	10	.900 (22.86)	.990 (25.15)	400 (10.16)
11XX-XX-111-XX	11	1.000 (25.40)	1.090 (27.69)	500 (12.70)
11XX-XX-112-XX	12	1.100 (27.94)	1.190 (30.23)	600 (15.24)
11XX-XX-113-XX	13	1.200 (30.48)	1.290 (32.77)	700 (17.78)
11XX-XX-114-XX	14	1.300 (33.02)	1.390 (35.31)	800 (20.32)
11XX-XX-115-XX	15	1.400 (35.56)	1.490 (37.85)	900 (22.86)
11XX-XX-116-XX	16	1.500 (38.10)	1.590 (40.39)	1.000 (25.40)
11XX-XX-117-XX	17	1.600 (40.64)	1.690 (42.93)	1.100 (27.94)
11XX-XX-118-XX	18	1.700 (43.18)	1.790 (45.47)	1.200 (30.48)
11XX-XX-119-XX	19	1.800 (45.72)	1.890 (48.01)	1.300 (33.02)
11XX-XX-120-XX	20	1.900 (48.26)	1.990 (50.55)	1.400 (35.56)
11XX-XX-121-XX	21	2.000 (50.80)	2.090 (53.09)	1.500 (38.10)
11XX-XX-122-XX	22	2.100 (53.34)	2.190 (55.63)	1.600 (40.64)
11XX-XX-123-XX	23	2.200 (55.88)	2.290 (58.17)	1.700 (43.18)
11XX-XX-124-XX	24	2.300 (58.42)	2.390 (60.71)	1.800 (45.72)
11XX-XX-125-XX	25	2.400 (60.96)	2.490 (63.26)	1.900 (48.26)
11XX-XX-126-XX	26	2.500 (63.50)	2.590 (65.79)	2.000 (50.80)
11XX-XX-127-XX	27	2.600 (66.04)	2.690 (68.33)	2.100 (53.34)
11XX-XX-128-XX	28	2.700 (68.58)	2.790 (70.87)	2.200 (55.88)



ALL DIMENSIONS ARE IN INCHES  
 DIMENSIONS IN ( ) ARE IN MILLIMETERS

**Note:** For circuits 2 through 6 locking ramp will be solid