

2 cells Li-ion/Li-polymer battery Secondary protection IC Monolithic IC MM3480 Series

Outline

MM3480 Series is a secondary protection IC for 2 serial cells Li-ion/Li-polymer rechargeable battery, which detects battery voltage by cell.

With a timer circuit built-in, it is possible to set overcharge detection delay time.

Features

(Unless otherwise specified, $T_{opr}=+25^{\circ}\text{C}$)

1. Range and accuracy of detection/release voltage

- Overcharge detection voltage 4.0V to 4.5V, 5mV step Accuracy $\pm 30\text{mV}$

2. Range of detection delay time

- Overcharge detection delay time 1.2s to 10.0s Selection from Rank
- Overdischarge detection delay time Selection from 20ms, 24ms, 96ms, 125ms, 144ms
- Discharging overcurrent detection delay time Selection from 8ms, 12ms, 16ms, 20ms, 48ms
- Charging overcurrent detection delay time Selection from 4ms, 6ms, 8ms, 16ms
- Short detection delay time 400 μs fixed

3. Low current consumption

- Typ. 2.5 μA , Max. 5.0 μA ($V_{cell}=3.5\text{V}$)
- Typ. 2.0 μA , Max. 0.15 μA ($V_{cell}=2.3\text{V}$)

4. Absolute maximum ratings

- VDD pin VSS-0.3 to VSS+28V
- OV pin VSS-0.3V to VDD+0.3V
- Storage temperature -55 to +125 $^{\circ}\text{C}$
- Operation temperature -40 to +110 $^{\circ}\text{C}$

Pin Assignment

Top view SOT-26A	Pin No.	Function
	1	The input terminal of the positive voltage of VL cell, and the negative voltage of VH cell.
	2	The input terminal of the positive voltage of VH cell.
	3	The input terminal of the power supply of IC.
	4	Output of over charge detection. Output type is open drain type of N-ch FET.
	5	The input terminal of the ground of IC.
	6	N.C.

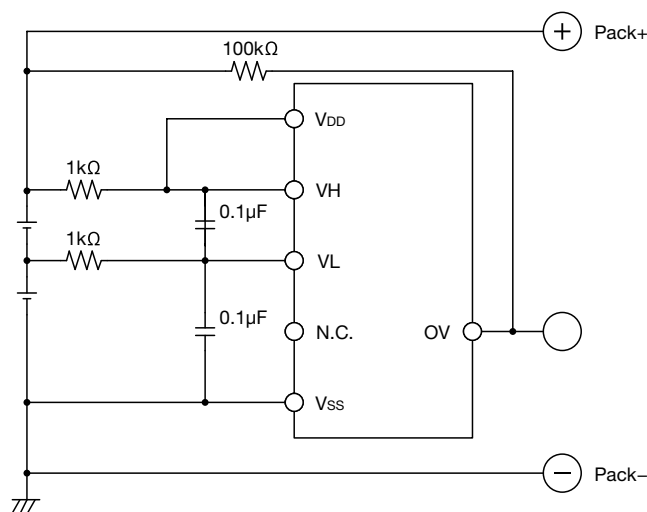
Top view SSON-6A	Pin No.	Function
	1	The input terminal of the power supply of IC.
	2	The input terminal of the positive voltage of VH cell.
	3	The input terminal of the positive voltage of VL cell, and the negative voltage of VH cell.
	4	N.C.
	5	The input terminal of the ground of IC.
	6	Output of over charge detection. Output type is open drain type of N-ch FET.

Selection Guide (3000pcs/Reel)

Product name	Package	Function	Overcharge detection voltage [V]	Overcharge detection dead time [ms]	Output type
			V _{CELLU}	T _{ov}	
MM3480ANRE	SOT-26A	2 cells	4.220±0.030	10±3	N-Ch FET open drain Active High
MM3480ARRE	SSON-6A	2 cells	4.220±0.030	10±3	
MM3480BRRE	SSON-6A	2 cells	4.300±0.030	10±3	
MM3480CRRE	SSON-6A	2 cells	4.350±0.030	10±3	

Please inquire to us, if you request a rank other than the above.

Application Circuit



*Please there must be a possibility of the malfunction when there is a potential difference between VDD and VH, therefore between VDD and VH be short-circuited.

*The constant of the mark is a standard.