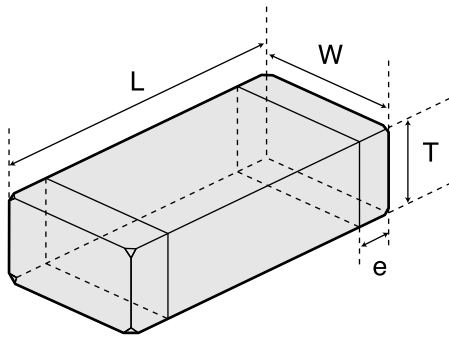


外形寸法 EXTERNAL DIMENSIONS



Type	L	W	T	e
HK1005 (0402)	1.00±0.05 (0.039±0.002)	0.50±0.05 (0.020±0.002)	0.50±0.05 (0.020±0.002)	0.25±0.10 (0.010±0.004)
HK1608 (0603)	1.6±0.15 (0.063±0.006)	0.8±0.15 (0.031±0.006)	0.8±0.15 (0.031±0.006)	0.3±0.2 (0.012±0.008)
HK2125 (0805)	2.0 ^{+0.3} _{-0.1} (0.079 ^{+0.012} _{-0.004})	1.25±0.2 (0.049±0.008)	0.85±0.2 1.0 ^{+0.2} _{-0.3} (0.033±0.008) (0.039 ^{+0.008} _{-0.012})	0.5±0.3 (0.020±0.012)

Unit : mm(inch)

概略バリエーション AVAILABLE INDUCTANCE RANGE

Type		HK1005	HK1608	HK2125
Range	[nH]			
inductance [nH]	1.0	1N0□	1N0□	
	1.2	1N2□	1N2□	
	1.5	1N5□	1N5□	
	1.8	1N8□	1N8□	
	2.2	2N2□	2N2□	1N5S
	2.7	2N7□	2N7□	1N8S
	3.3	3N3□	3N3□	2N2S
	3.9	3N9□	3N9□	2N7S
	4.7	4N7□	4N7□	3N3S
	5.6	5N6□	5N6□	3N9S
	6.8	6N8□	6N8□	4N7S
	8.2	8N2□	8N2□	5N6S
	10.0	10N□	10N□	6N8J
	12.0	12N□	12N□	8N2J
	15.0	15N□	15N□	10NJ
	18.0	18N□	18N□	12NJ
	22.0	22N□	22N□	15NJ
	27.0	27N□	27N□	18NJ
	33.0	33N□	33N□	22NJ
	39.0	39N□	39N□	27NJ
47.0	47N□	47N□	33NJ	
56.0	56N□	56N□	39NJ	
68.0	68N□	68N□	47NJ	
82.0	82N□	82N□	56NJ	
100.0	R10□	R10□	68NJ	
120.0	R12□	R12□	82NJ	
150.0		R15□	100.0	
180.0		R18□	120.0	
220.0		R22□	150.0	
270.0			180.0	
330.0			220.0	
390.0			270.0	
470.0			330.0	
			390.0	
			470.0	

代表値 Examples	Type		HK1005	HK1608	HK2125
	Inductance	Imax [mA]	Rdcmax [Ω]	Imax [mA]	Rdcmax [Ω]
	1.5nH	300	0.13	300	0.10
	10.0nH	250	0.42	300	0.26
100.0nH	100	1.60	300	1.00	

セレクションガイド
Selection Guide

アイテム一覧
Part Numbers

特性図
Electrical Characteristics

梱包
Packaging

信頼性
Reliability Data

使用上の注意
Precautions



etc