

NEW



HDMI Standard Type D HDMI Micro Connector

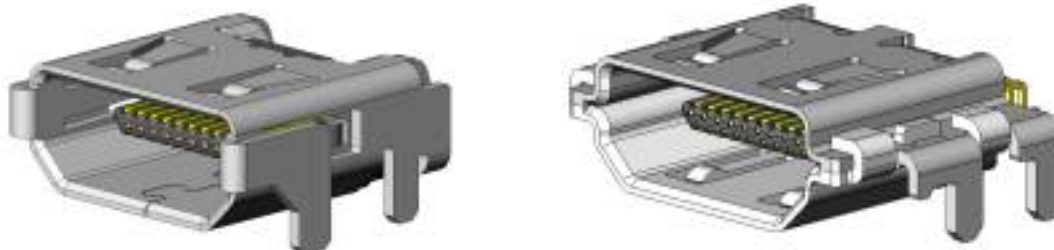
CONNECTOR

MB-0233-1

September 2011

DC3 Series

RoHS Compliant



Recently in the camcorder and digital still camera market, devices that are compatible with digital high-vision are becoming the standard.

The DC3 Series is a connector compliant with the HDMI D Type standard targeting these types of portable devices.

*HDMI stands for High-Definition Multimedia Interface and is a registered trademark of HDMI Licensing LLC.

Features

- 2 row, 0.4mm pitch, 19 position, compact connector
- Impedance-matching design compliant with high-speed transmission.
- Grounded structure design for EMI control.
- Design prevents solder wicking and flux scattering during reflow.
- Available in on-board and mid-mount types.

Applicable Markets

Mobile phone, high definition camcorder, digital still camera (single-lens reflex, compact), tablet PC, portable game device, compact audio player, etc.

General Specifications

- No. of Contacts: 19 position
- Contact Resistance: Contact Area, 60mΩ max.; Shell Area, 50mΩ max.
- Dielectric Withstanding Voltage: AC 250Vr.m.s per minute (when not mated)
- Operating Temperature and Humidity Range
 - Temperature: -20 Deg. C to +85 Deg. C
 - Percentage Humidity: 85% max.
- Rated Current: 0.3A per contact
- Durability: 5,000 mating cycles
- Impedance: 100Ω ± 25% (connector area)

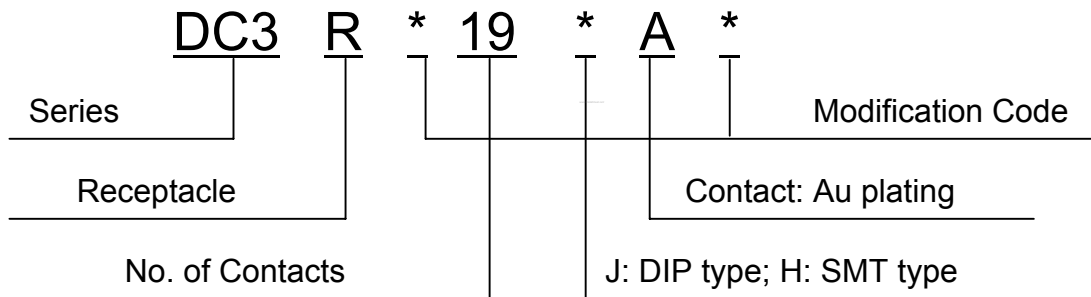
Materials and Finishes

Receptacle

Component	Material / Finish
Insulator	Heat resistant plastic
Contact	Copper alloy / Au plating over Ni
Shell	Stainless steel / Sn plating over Ni

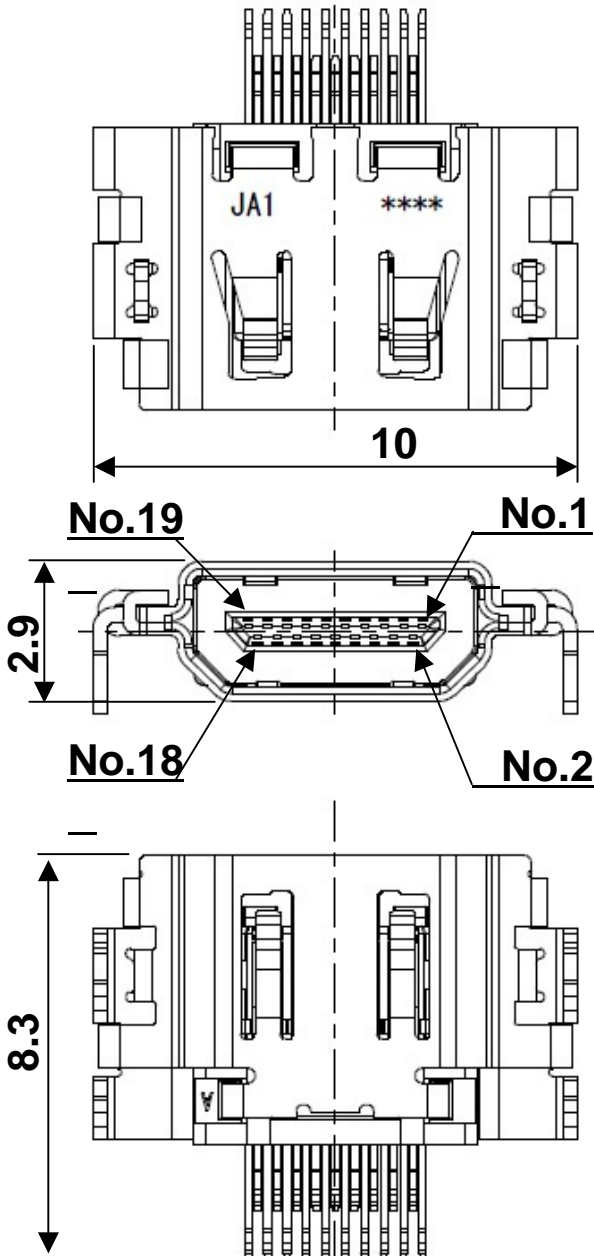
Ordering Information

Receptacle

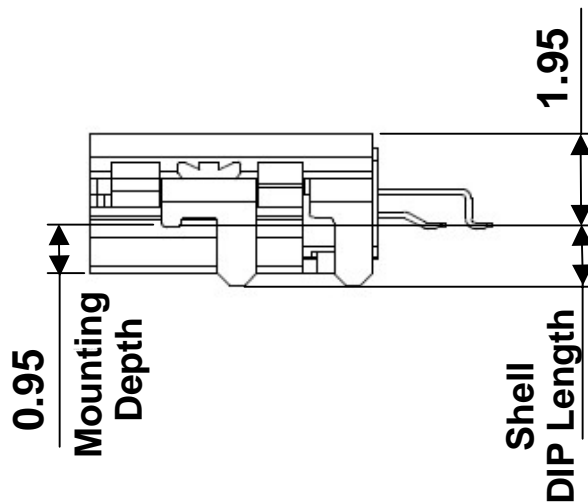


Drawings

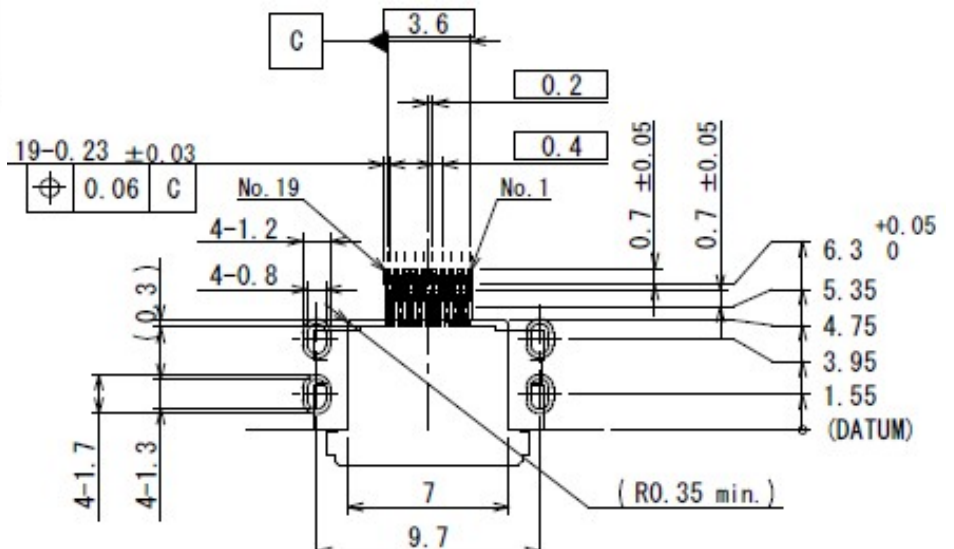
■ Receptacle --- Mid-mount Type (mounting depth: 0.95mm version)
DC3R019JA1 / 5 [SJ110571 / SJ111076]



	DC3R019JA1	DC3R019JA5
Shell		
DIP Length	1.5	0.8



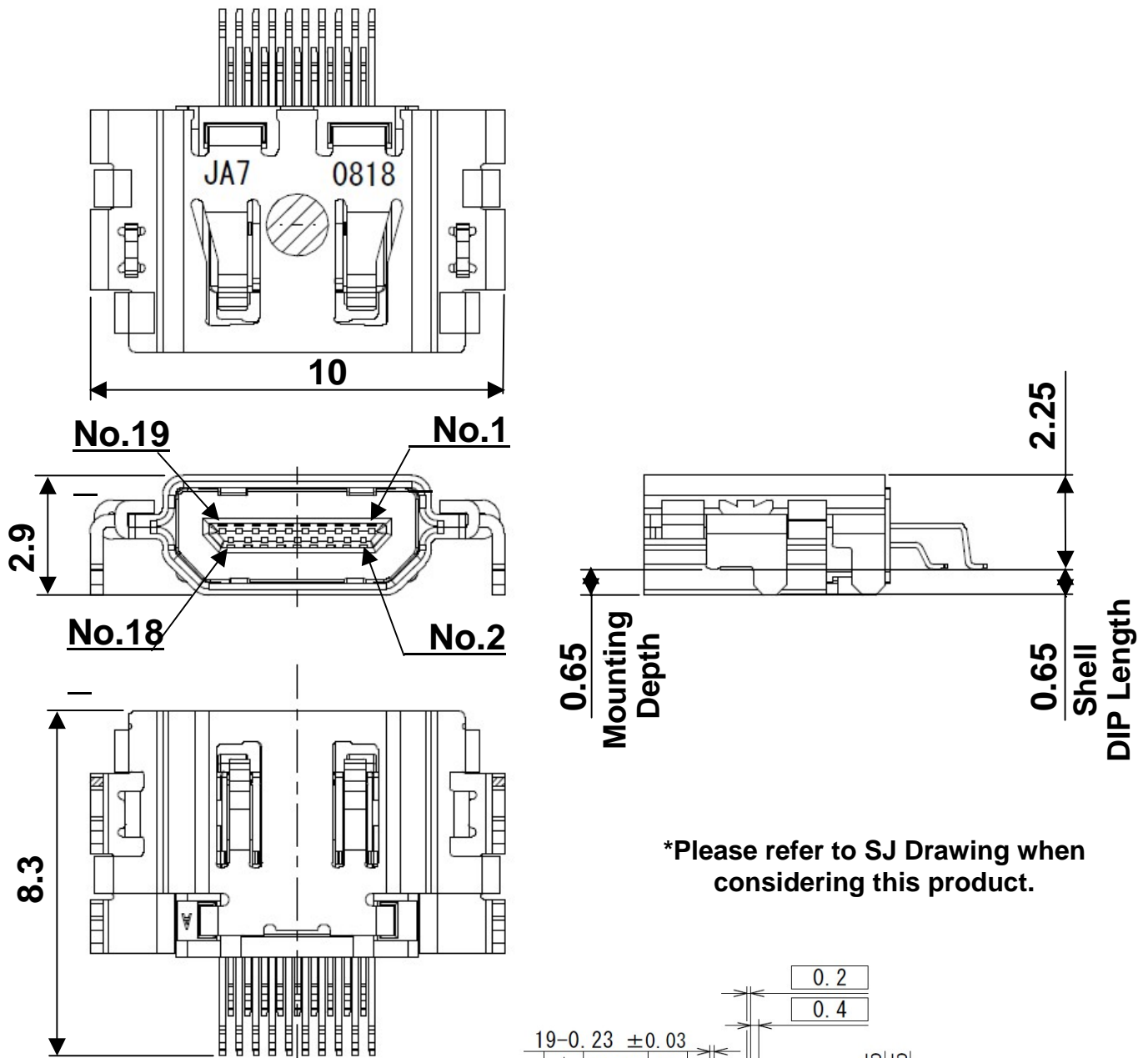
*Please refer to SJ Drawing when considering this product.



Applicable Board Dimension

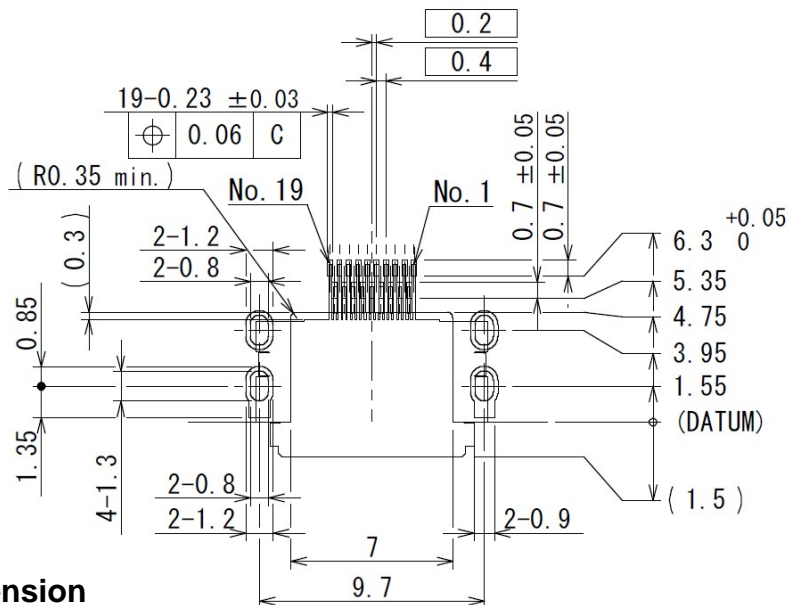
■ Receptacle --- Mid-mount Type (mounting depth: 0.65mm version)

DC3R019JA7 [SJ111784]

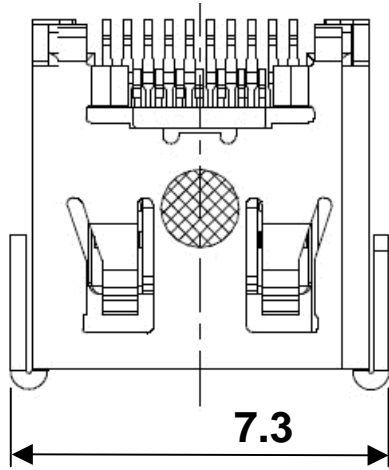


*Please refer to SJ Drawing when considering this product.

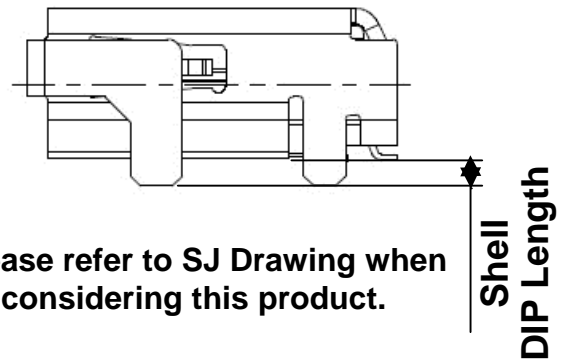
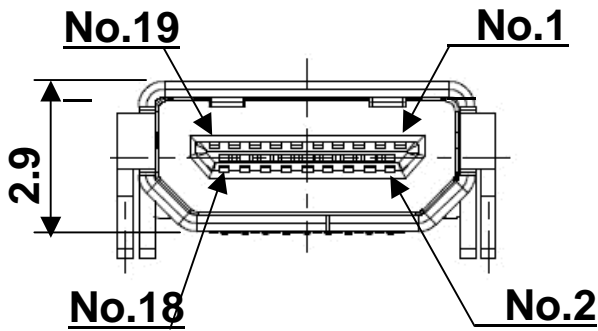
Applicable Board Dimension



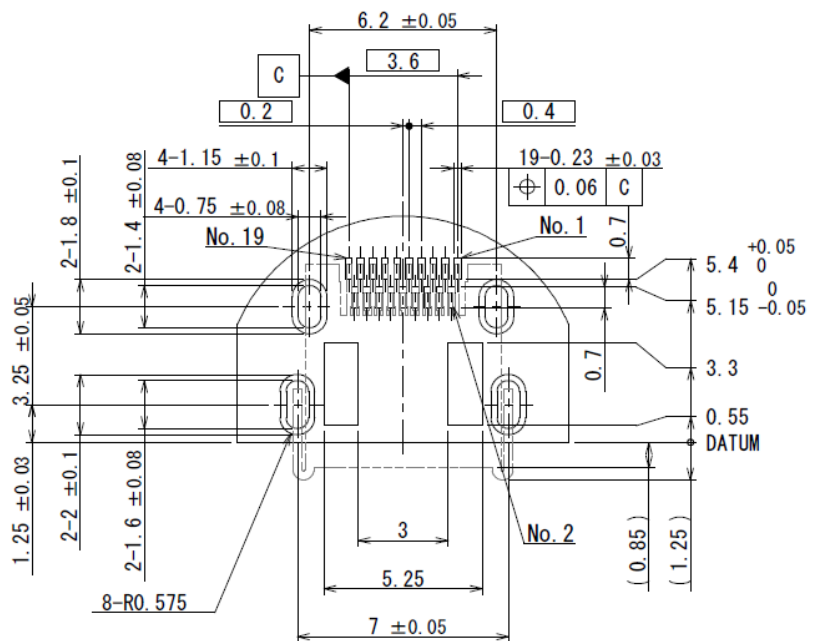
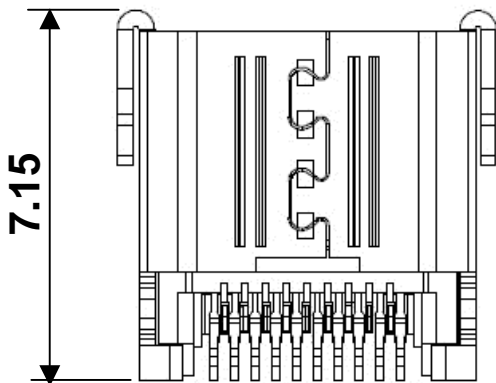
■ Receptacle --- On-board Type (shell 4 point DIP version)
DC3RX19JA2 / 3 [SJ111288 / SJ111264]



	DC3RX19JA2	DC3RX19JA3
Shell DIP Length	0.8	0.63

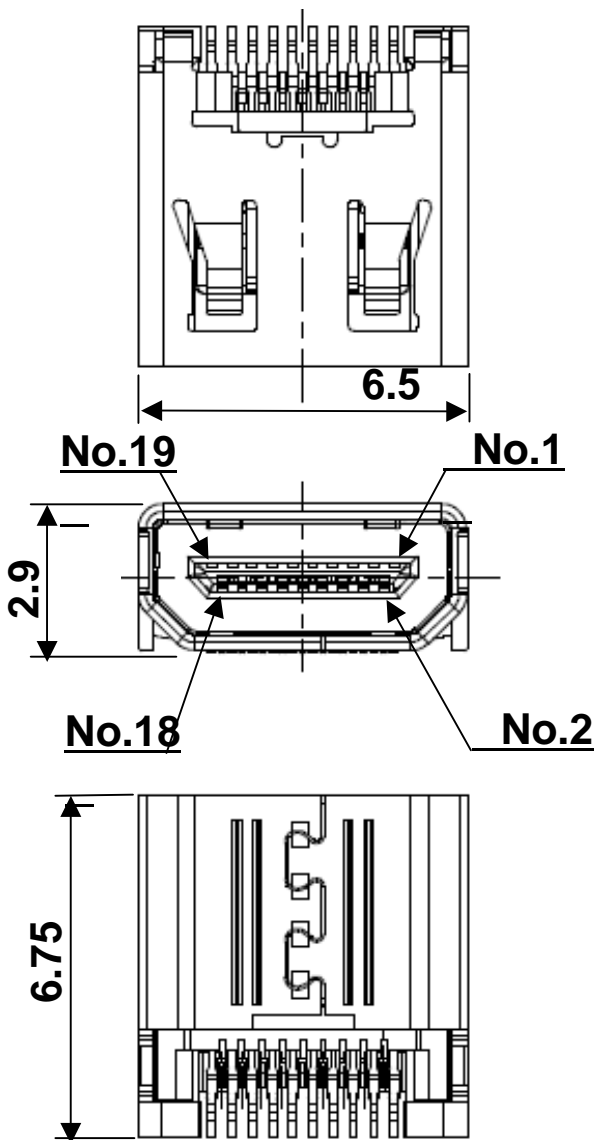


*Please refer to SJ Drawing when considering this product.

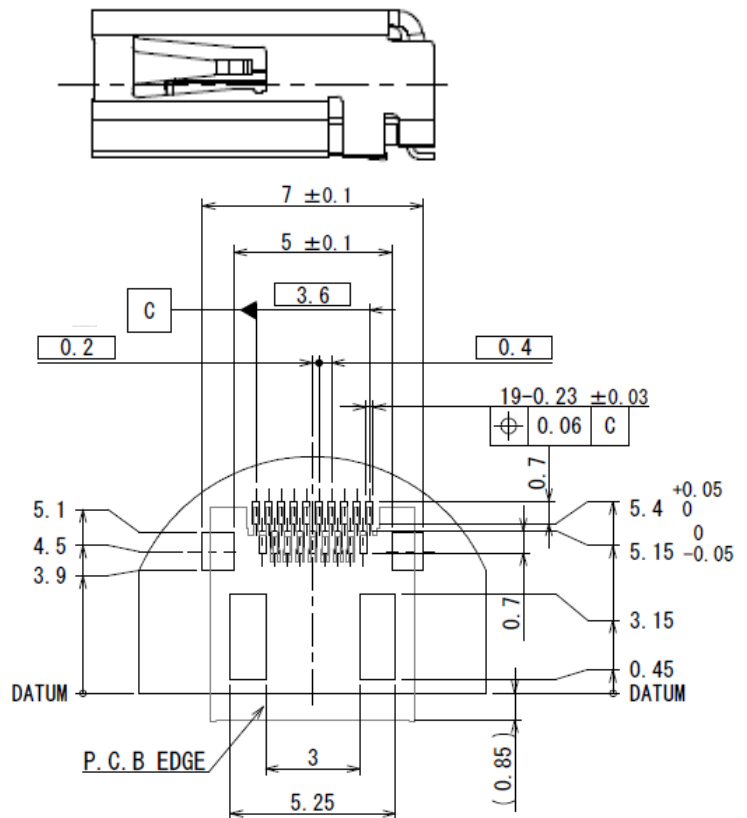


Applicable Board Dimension

■ Receptacle --- On-board Type (all SMT version)
DC3R019HA1 [SJ111526]



*Please refer to SJ Drawing when considering this product.



Applicable Board Dimension

Japan Aviation Electronics Industry, Limited

Product Marketing Division
 Aobadai Building, 3-1-19, Aobadai, Meguro-ku, Tokyo 153-8539
 Phone: +81-3-3780-2787 FAX: +81-3-3780-2946

Notice: Products shown in this brochure are made for the applications listed below. However, if the above-mentioned products are to be used in aerospace devices, marine cable-connection devices, atomic power control systems, medical equipment for life-support systems, or any other specific application requiring extremely high reliability, please contact JAE for further information.
 Recommended applications: computers, office machines, measuring devices, telecommunication devices (terminals, mobile devices), AV devices, household applications, FA devices, etc.