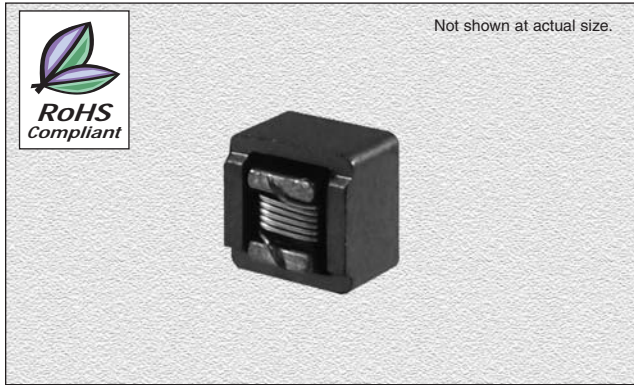


CT1008PSF Series

From 1.0 μH to 1000 μH

SPECIFICATIONS

Please specify tolerance code when ordering.
 CT1008PSF-102_ ← K = $\pm 10\%$, M = $\pm 20\%$
 *Inductance drop = 10% typ. at IDC



CHARACTERISTICS

Description: SMD shielded wire-wound chip inductor

Applications: LC resonant circuits such as oscillator and signal generators, impedance matching, circuit isolation, RF filters, disk drives and computer peripherals, audio and video equipment, TV, radio and telecommunication equipment

Operating Temperature: -25°C to +85°C

Inductance Tolerance: $\pm 10\%$, $\pm 20\%$

Testing: Inductance and Q tested on an HP4285A at 100kHz, 100mV.

Packaging: Tape & Reel

Miscellaneous: RoHS Compliant.

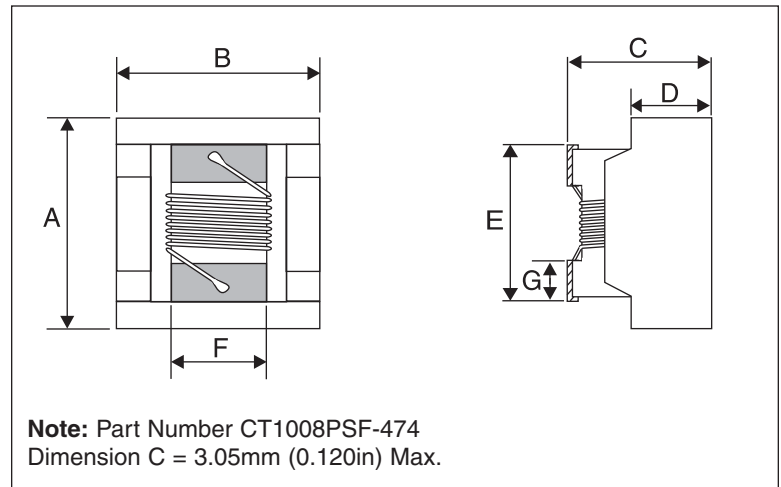
Additional Information: Additional electrical & physical information available upon request

Samples available. See website for ordering information.

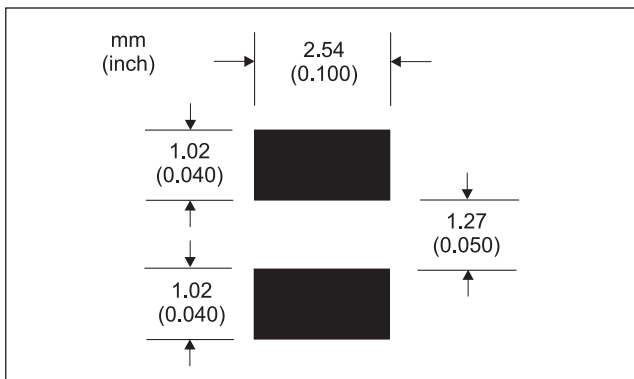
Part Number	Inductance (μH)	L Test Freq. (kHz)	Q Fact. Typ.	Q Test Freq. (MHz)	SRF Typ. (MHz)	DCR Max. (Ω)	*IDC Max. (A)
CT1008PSF-102_	1.0	100	26	1.0	344	0.05	3.0
CT1008PSF-152_	1.5	100	26	1.0	260	0.08	2.8
CT1008PSF-182_	1.8	100	28	1.0	225	0.09	2.1
CT1008PSF-222_	2.2	100	30	1.0	228	0.14	1.5
CT1008PSF-272_	2.7	100	30	1.0	185	0.14	1.5
CT1008PSF-392_	3.9	100	30	1.0	172	0.29	1.2
CT1008PSF-472_	4.7	100	30	1.0	157	0.35	1.1
CT1008PSF-562_	5.6	100	30	1.0	150	0.39	1.1
CT1008PSF-682_	6.8	100	30	1.0	110	0.58	0.9
CT1008PSF-103_	10	100	30	1.0	95	0.75	0.82
CT1008PSF-153_	15	100	30	1.0	75	1.15	0.70
CT1008PSF-223_	22	100	33	1.0	30	1.40	0.65
CT1008PSF-333_	33	100	33	1.0	21	1.61	0.52
CT1008PSF-393_	39	100	33	1.0	18	1.85	0.46
CT1008PSF-473_	47	100	33	1.0	15	2.2	0.43
CT1008PSF-683_	68	100	33	1.0	12	3.8	0.33
CT1008PSF-823_	82	100	33	1.0	10	4.3	0.32
CT1008PSF-104_	100	100	33	1.0	8.0	4.8	0.31
CT1008PSF-124_	120	100	33	1.0	8.0	5.0	0.25
CT1008PSF-154_	150	100	33	1.0	5.8	6.5	0.24
CT1008PSF-224_	220	100	33	1.0	5.5	12.0	0.22
CT1008PSF-334_	330	100	33	1.0	3.8	17.0	0.20
CT1008PSF-474_	470	100	33	1.0	3.1	19.0	0.16
CT1008PSF-564_	560	100	33	1.0	2.8	18.4	0.13
CT1008PSF-684_	680	100	33	1.0	2.5	24.0	0.12
CT1008PSF-824_	820	100	23	1.0	2.0	26.0	0.10
CT1008PSF-105_	1000	100	20	1.0	1.5	29.2	0.10

PHYSICAL DIMENSIONS

Size	A Max.	B Max.	C Max.	D	E	F	G
mm	3.81	3.81	2.94	2.20	2.54	2.03	0.51
inches	0.150	0.150	0.116	0.087	0.100	0.080	0.020



PAD LAYOUT



09.21.09