

Fully-Insulated Quick Disconnects

LISTED

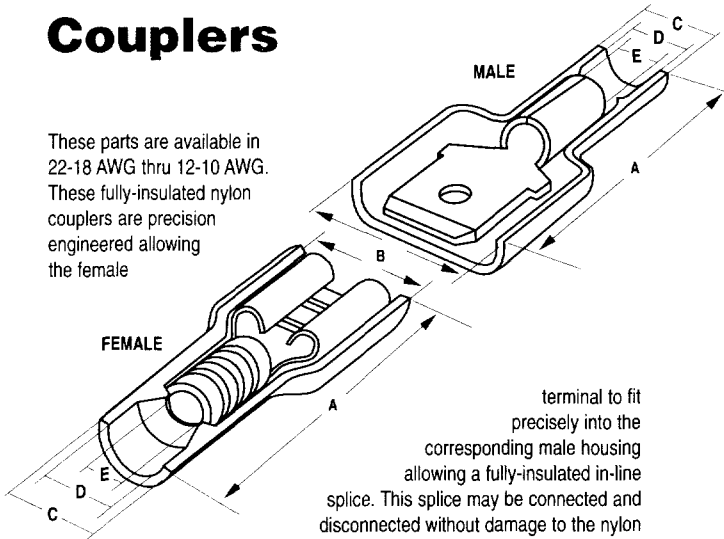


1-800-800-0449



Couplers

These parts are available in 22-18 AWG thru 12-10 AWG. These fully-insulated nylon couplers are precision engineered allowing the female



terminal to fit precisely into the corresponding male housing allowing a fully-insulated in-line splice. This splice may be connected and disconnected without damage to the nylon insulation. The male is available loose piece and Mylar Tape mounted only (add suffix "T"). The female is available loose piece, mylar tape mounted (add suffix "T"), and on continuous molded carrier (add suffix "C").

Fully-Insulated Male Couplers

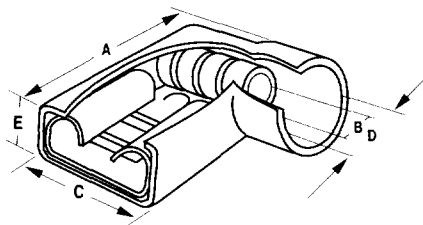
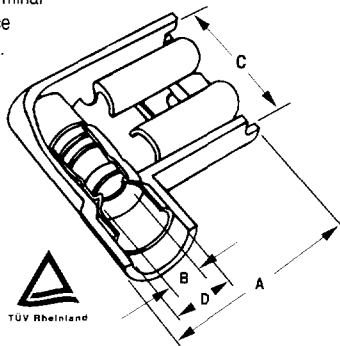
Wire Range	Tab Size	Part Number	Color	Stock	A Max.	B Max.	C Max. Dia.	D MWID	E Min.
22-18AWG 0.3-1.0mm ²	.250x.032	AA-2260	RED	.031	.97	.45	.23	.145	.064
16-14AWG 1.2-2.0mm ²	.250x.032	BB-2262	BLUE	.031	.97	.45	.23	.170	.083
12-10AWG 3.0-6.0mm ²	.250x.032	C-2264	YELLOW	.031	1.12	.46	.34	.275	.145

Fully-Insulated Female Couplers

Wire Range	Accepts Tab Size	Part Number	Color	Stock	A Max.	B Max.	C Max.	D MWID	E Min.
22-18AWG 0.3-1.0mm ²	.250x.032	AA-2261	RED	.018	.89	.38	.23	.165	.083
16-14AWG 1.2-2.0mm ²	.250x.032	BB-2263	BLUE	.018	.89	.38	.23	.165	.083
12-10 AWG 3.0-6.0mm ²	.250x.032	C-2265	YELLOW	.018	1.04	.38	.34	.275	.150

Flags

This right angle nylon, fully-insulated quick disconnect terminal provides space saving design.



Flags available on metal strip; add "Z" at the end of Part Number. For parts on mylar tape, add "T" at the end of loose piece Part Number.

Avikrimp Fully Pre-Insulated Quick Disconnect Flags

Wire Range	Tab Size	Part Number	Color	Stock	A Max.	B Min.	C Max.	D MWID
22-18AWG 0.3-1.0mm ²	.250x.032	AA-5220	RED	.016	.635	.067	.39	.150
16-14 AWG 1.2-2.0mm ²	.250x.032	BB-5221	BLUE	.016	.635	.084	.39	.170
12-10 AWG 3.0-6.0mm ²	.250x.032	C-5211	YELLOW	.016	.766	.128	.358	.248
22-18AWG 0.3-1.0mm ²	.187x.032	AA-5223	RED	.016	.635	.067	.39	.150
16-14AWG 1.2-2.0mm ²	.187x.032	BB-5225	BLUE	.016	.635	.084	.39	.170
22-18 AWG 0.3-1.0mm ²	.187x.020	AA-5222	RED	.016	.635	.067	.39	.150
16-14AWG 1.2-2.0mm ²	.187x.020	BB-5224	BLUE	.016	.635	.084	.39	.170

Fully-Insulated Flag Quick-Disconnects

Wire Range	Tab Size	Part Number	Color	Stock	A Max.	B Min.	C Max.	D MWID	E Max.
22-18AWG 0.3-1.0mm ²	.250x.032	AA-2220	RED	.016	.630	.067	.38	.175	.200
16-14 AWG 1.2-2.0mm ²	.250x.032	BB-2221	BLUE	.016	.630	.089	.38	.200	.200
12-10 AWG 3.0-6.0mm ²	.250x.032	C-2211	YELLOW	.016	.766	.127	.358	.262	.249
22-18AWG 0.3-1.0mm ²	.187x.032	AA-2223	RED	.016	.630	.067	.38	.175	.200
16-14AWG 1.2-2.0mm ²	.187x.032	BB-2225	BLUE	.016	.630	.089	.38	.200	.200
22-18 AWG 0.3-1.0mm ²	.187x.020	AA-2222	RED	.016	.630	.067	.38	.175	.200
16-14AWG 1.2-2.0mm ²	.187x.020	BB-2224	BLUE	.016	.630	.089	.38	.200	.200

Fully-Insulated Flag Quick-Disconnects (Expanded Flare)

Wire Range	Tab Size	Part Number	Color	Stock	A Max.	B Min.	C Max.	D MWID	E Max.
22-18AWG 0.3-1.0mm ²	.250x.032	AA-2220X	RED	.016	.660	.067	.38	.240	.200
16-14AWG 1.2-2.0mm ²	.250x.032	BB-2221X	BLUE	.016	.660	.089	.38	.265	.200
22-18 AWG 0.3-1.0mm ²	.187x.032	AA-2223X	RED	.016	.660	.067	.38	.240	.200
16-14 AWG 1.2-2.0mm ²	.187x.032	BB-2225X	BLUE	.016	.660	.089	.38	.265	.200
22-18 AWG 0.3-1.0mm ²	.187x.032	AA-2222X	RED	.016	.660	.067	.38	.240	.200
16-14 AWG 1.2-2.0mm ²	.187x.032	BB-2224X	BLUE	.016	.660	.089	.38	.265	.200