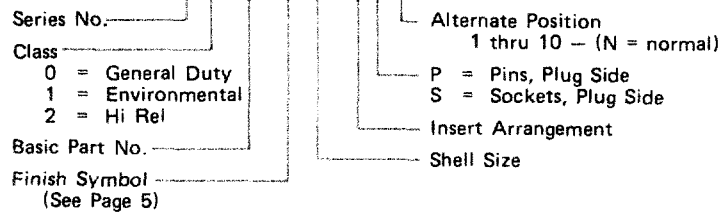


940-007M16-24PN



SHELL SIZE	A THREAD	B DIA +0 - .005
08	9/16 - 24 UNEF-2	.776 (19.7)
10	11/16 - 24 UNEF-2	.906 (23.0)
12	7/8 - 24 UNEF-2	1.078 (27.4)
14	15/16 - 24 UNEF-2	1.141 (29.0)
16	1 1/16 - 18 UNEF-2	1.266 (32.2)
18	1 3/16 - 18 UNEF-2	1.375 (34.9)
20	1 5/16 - 18 UNEF-2	1.510 (38.4)
22	1 7/16 - 18 UNEF-2	1.625 (41.3)
24	1 9/16 - 18 UNEF-2	1.760 (44.7)

Metric dimensions (mm) are indicated in parentheses

© 1995 Glenair, Inc.

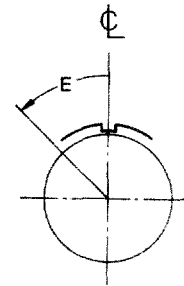
Printed in U.S.A.

MIL-C-83723 Series III

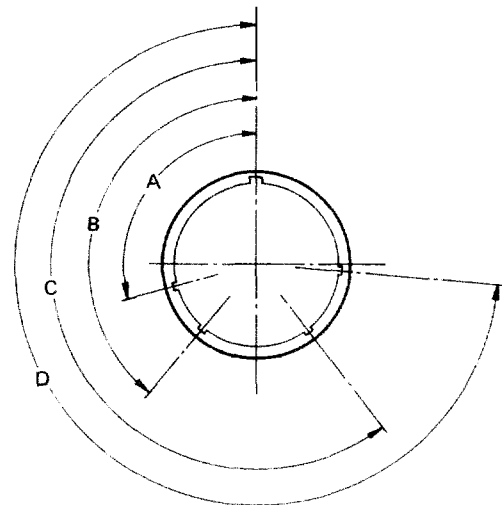


INSERT ARRANGEMENTS

SHELL SIZE DESIG	INSERT ARRANGEMENT DASH NO.	CONTACT SIZE QUANTITY		
		20	16	12
08	08-02	2		
	08-03	3		
	08-98	3		
10	10-05	5		
	10-02	2		
	10-06	6		
	10-20	2		
12	12-03		3	
	12-12	12		
14	14-04			4
	14-07		7	
	14-12	9	3	
	14-15	15		
16	16-10		10	
	16-24	24		
18	18-08			8
	18-14		14	
	18-31	31		
20	20-16		16	
	20-25	19		6
	20-28	24		4
	20-39	37	2	
	20-41	41		
22	22-12			12
	22-19		19	
	22-32	26		6
	22-39	27	12	
	22-55	55		
24	24-19			19
	24-43	23	20	
	24-57	55		2
	24-61	61		



ROTATED PIN INSERT
POSITION 1 THRU 5



FACE VIEW RECEPTACLE
POSITION N, 6 THRU 10

ALTERNATE KEYWAY POSITIONS

N-NORMAL	SIZE 8				SIZE 10				SIZES 12 THRU 24				INSERT POSITION E°
	A°	B°	C°	D°	A°	B°	C°	D°	A°	B°	C°	D°	
1	105	140	210	265	105	140	215	265	105	140	215	265	0
2	—	—	—	—	105	140	215	265	105	140	215	265	10
3	—	—	—	—	105	140	215	265	105	140	215	265	20
4	—	—	—	—	105	140	215	265	105	140	215	265	30
5	—	—	—	—	105	140	215	265	105	140	215	265	40
6	102	132	248	320	102	132	248	320	18	140	182	259	50
7	80	118	230	312	80	118	230	312	92	152	222	342	0
8	35	140	205	275	35	140	205	275	84	152	204	334	0
9	64	155	234	304	64	155	234	304	24	135	199	240	0
10	—	—	—	—	25	115	220	270	98	152	268	338	0