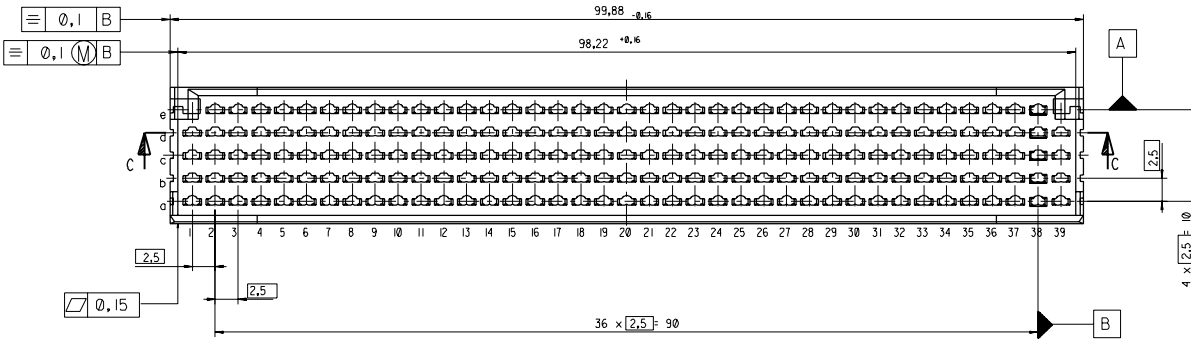
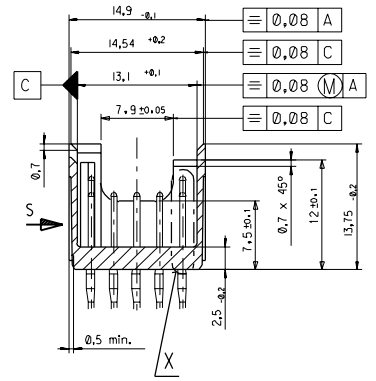
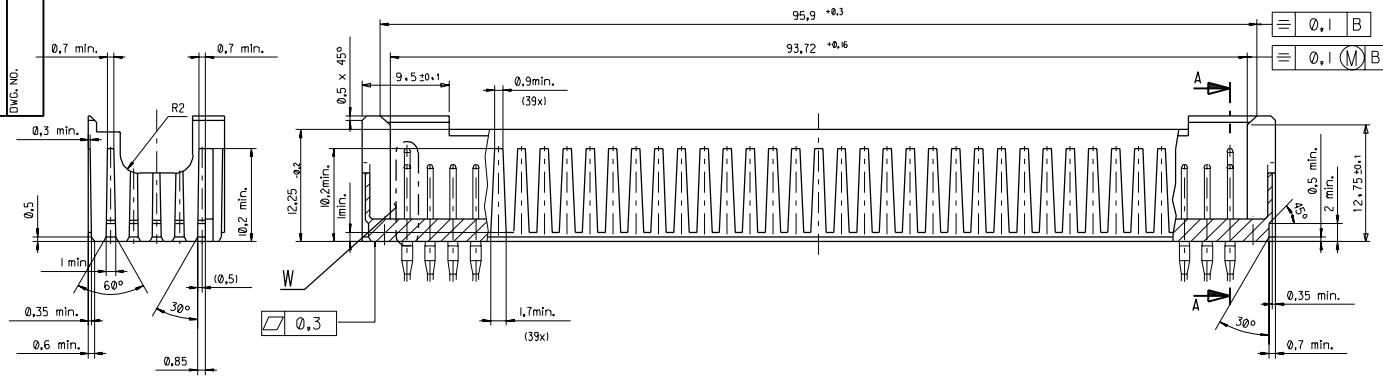
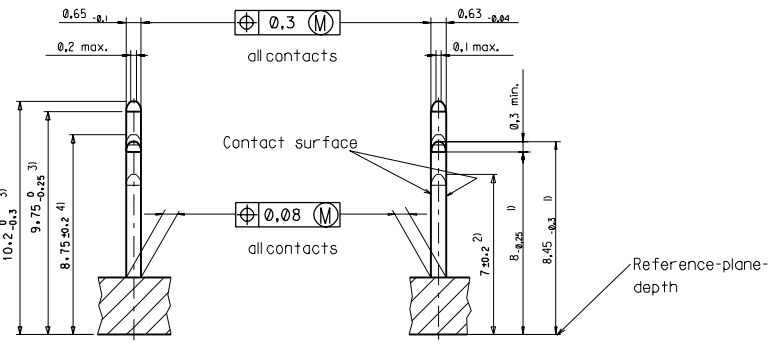
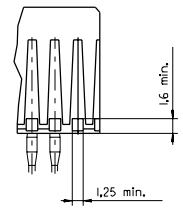


Section C-C

Section A-A



View S



View W  
Scale 5:1

View X  
Scale 5:1

- 1) Standard contact after installation to PC board
- 2) Standard contact as delivered
- 3) Pre-mating contact after installation to PC board
- 4) Pre-mating contact as delivered

FIRST ANGLE PROJECTION

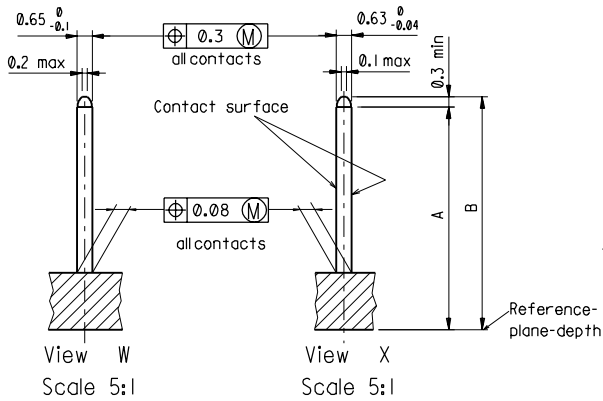
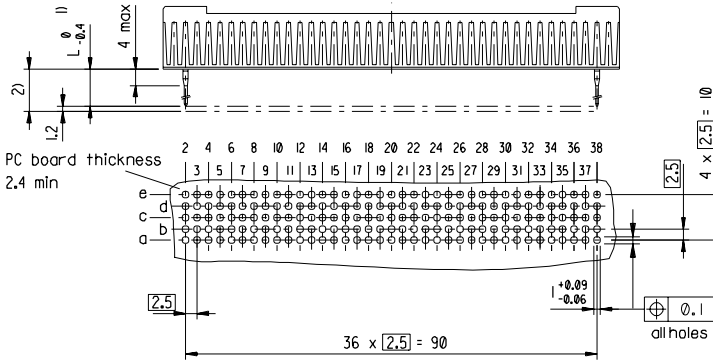
REVISIONS	DATE	BY	REASON
1	96/11/07	Ca	UNLESS OTHERWISE SPECIFIED TOLERANCES: ANGULAR ±2°
2		KN	INCH METRIC
3		JB	3 PLACE ± . ±
4			2 PLACE ± ±
5			1 PLACE ± ±

DRWG BY	SIGN	Ca
CHK'D BY	SIGN	KN
APP'D BY	SIGN	JB
SCALE		2:1

REVISE ONLY ON CAD SYSTEM

CAECAM PROJECT NAME	THIS DRAWING CONTAINS INFORMATION THAT IS PROPRIETARY TO MOLEX INC. & SHOULD NOT BE USED WITHOUT WRITTEN PERMISSION
s851051x 6x1	
TITLE	Male connector 4SU Dimensions (TechnicalData PS-851**0005)
MOLEX MOLEX EUROPE	SHEET NO. DATE
	10F2 91/07/30
PART NO.	DWG NO.
SEE CHART	SDA-85105-1***
SIZE	B

S = Total number of contacts  
 1) Termination length after installation to PC board  
 2) Termination length as delivered



Arrangement 1 (411)  
 A = 47  
 B = 44  
 O = 47  
 X = 47  
 S = 185



symbol	mating function	mating sequence	dimensions A as delivered	dimensions A / B after installation in PC board	tail length L
B	last make first break contacts -0.85	4	6.15 ± 0.2	7.6 -0.3 / 7.15 -0.25	6
O	standard contacts	3	7 ± 0.2	8.45 -0.3 / 8 -0.25	6
A	first make last break contacts +0.85	2	7.85 ± 0.2	9.3 -0.3 / 8.85 -0.25	6
X	first make last break contacts +1.75	1	8.75 ± 0.2	10.2 -0.3 / 9.75 -0.25	6

Marking	Standard
Performance level	G1/0 = Contact area level I / Termination tin
Dimensions	SDA-85105-1*** sht.1
Technical Data	PS-851**0005

Symbol	Termination	Contact position number
X	G1/0	a4+8+12+18+20+26+29-33+37, b3+9+15+19+22+30-32+35+37, c6+12+18+25+31+38, d10+16+23+25+27+31+34+38, e12+15+16+23+25+27+29+31+34+37+38
O	G1/0	a5+13+24+25, b4+5+8+13+16+25-29+33+34, c5+7+11+13+17+19+23+24+26-30+32-35, d5+11+12+15+17+24, e7-9+17-20+24
B	G1/0	a6+7+11+14-17+23, b6+7+10-12+14+17+18, c8-10+14-16+20-22, d6-9+13+14+18-22+29+37, e10+11+13+14+21+22
A	G1/0	q2+3+9+10+19+21+22+27+28+34-36+38, b2+20+21+23+24+36+38, c2-4+36+37, d2-4+26+28+30+32+33+35+36, e2-6+26+28+30+32+33+35+36
Performance level		Contact position number

arrangement changed ECN No. MG 1999-0290 99/05/11 Ca	LTR REVISIONS FOR PREVIOUS REVISIONS SEE MRL LIST	FIRST ANGLE PROJECTION		REVISE ONLY ON CAD SYSTEM		SH.	REV.
		UNLESS OTHERWISE SPECIFIED TOLERANCES: ANGULAR ±2°	INCH	METRIC	CAD/CAM PROJECT NAME		
		3 PLACE ± . ±	DRWG BY	SIGN	TITLE		
		2 PLACE ± . ±	CHK'D BY	SIGN	Male connector 4SU contact arr. 1 (411) and hole pattern		
		1 PLACE ± . ±	APP'D BY	SIGN			
		DESIGN DIMENSION <input checked="" type="checkbox"/> MM <input type="checkbox"/> IN.	SCALE		MOLEX EUROPE		
		EQUIVALENT DIMENSION <input type="checkbox"/> MM <input type="checkbox"/> IN.			SHEET NO. DATE		
		IF TWO DIMENSIONS ARE SHOWN THE UPPER IS THE DESIGN DIMENSION, LOWER IS SECONDARY			10F1 99/05/03		
					PART NO.	DWG NO.	SIZE
					85105-4531	SDA-85105-4531	B

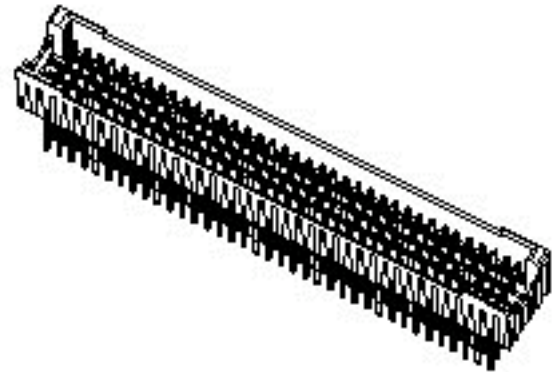
Datasheet  
Backplane

**2.50mm (.098") Pitch Omnigrid® Vertical Header, 4 SU 85105**

[ [Home](#) > [Products](#) > [Backplane](#) > Datasheet ]

[Help](#)

<a href="#">Status</a>	Active
<a href="#">Application</a>	Backplane
Module	Signal
<a href="#">Orientation</a>	Vertical
<a href="#">Shielded</a>	No
<a href="#">Product Name</a>	Omnigrid®
<a href="#">Pitch / Center Spacing</a>	2.50mm (.098")
<a href="#">Circuits / Positions</a>	185
<a href="#">Rows</a>	5
Modularity	4 SU
<a href="#">Voltage-max [volts]</a>	750V
<a href="#">Current-max [amps]</a>	1.0A
<a href="#">Contact Resistance [ohms]</a>	25 milliohms max.
<a href="#">Withstanding Voltage</a>	1000V
<a href="#">Insulation Resistance [ohms]</a>	1,000,000 Megohms min.
<a href="#">Packaging</a>	Tray
<a href="#">Designed In</a>	Millimeters
<a href="#">Insertion Force to PCB-max. (per circuit)</a>	160N (36.0 lb)
Contact Retention Force-min. (per circuit)	40.00N (8.99 lb)
<a href="#">Mating Force-max. (per circuit)</a>	1.0N (0.22 lb)
<a href="#">Unmating Force-min. (per circuit)</a>	0.6N (0.13 lb)
<a href="#">Durability [mating cycles] min.</a>	500
<a href="#">PCB Mounting</a>	Press-Fit
<a href="#">PCB Thickness</a>	2.00mm (.079")
<a href="#">Housing - Material</a>	Polycarbonate



**Features and Benefits**

- Up to 185 contacts
- Selective loading available
- Rear plug pin lengths available
- First Mate Last Break contacts (FMLB)
- Last Mate First Break contacts (LMFB)

<a href="#">Flammability</a>	<b>UL 94V-0</b>
<a href="#">Color</a>	<b>Gray</b>
Contact	<b>Phosphor Bronze</b>
<a href="#">Plating Thickness</a>	<b>1.27µm (50µ")</b>
<a href="#">Plating Contact</a>	<b>Gold (Au)</b>
<a href="#">Plating Tail</a>	<b>Tin/Lead (Sn/Pb)</b>
<a href="#">Temperature Range</a>	<b>-55°C to +125°C</b>
<a href="#">MX01 Catalog Page</a>	<b>J-122, J-201</b>
<a href="#">Molex Series</a>	<b>85105</b>

[E-mail this page to a friend](#)

[ © Copyright 2002 Molex Incorporated ]