

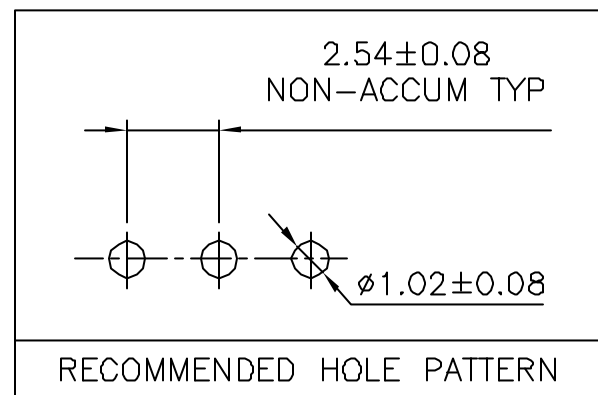
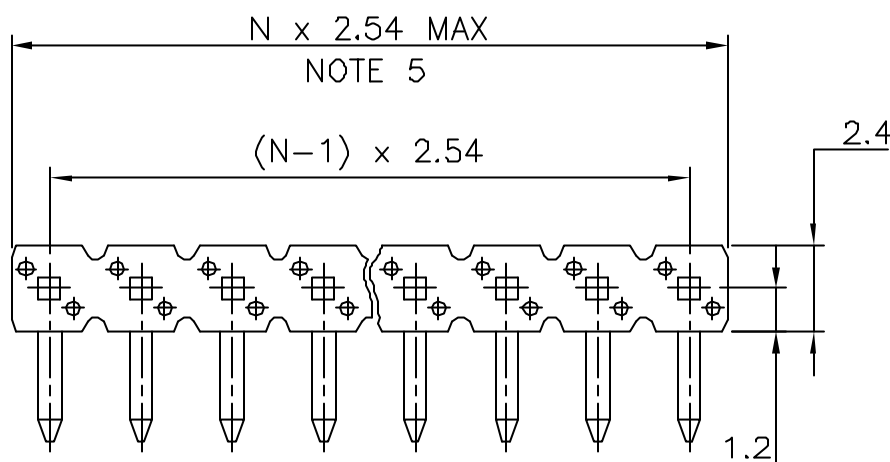
PRODUCT NUMBER
77315-YXX-XXLF

WHEN REQUIRED, ADD SUFFIX LETTER "LF"
INDICATES THE PRODUCT IS RoHS
COMPATIBLE, SEE NOTE 7

TOTAL NB OF POSITIONS 02 TO 36

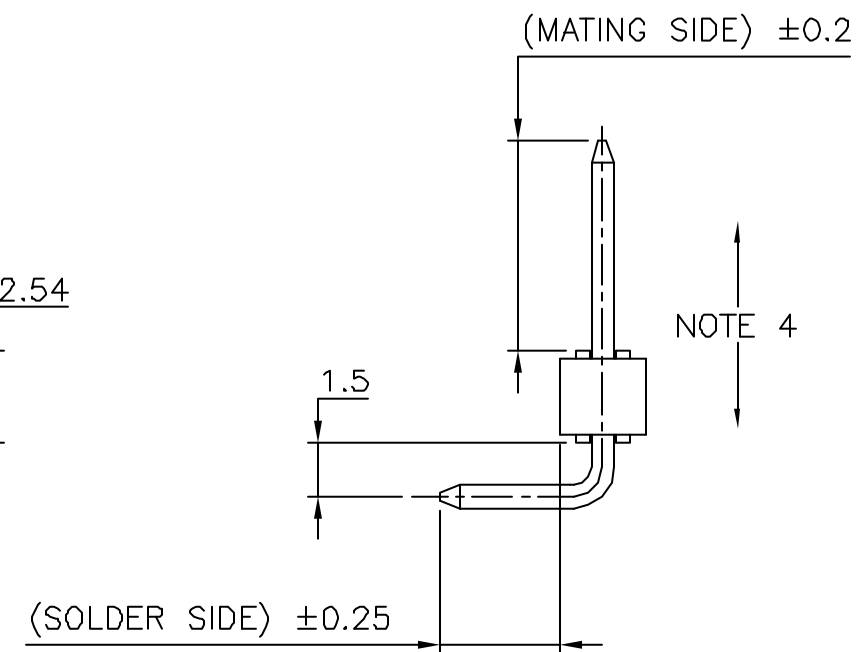
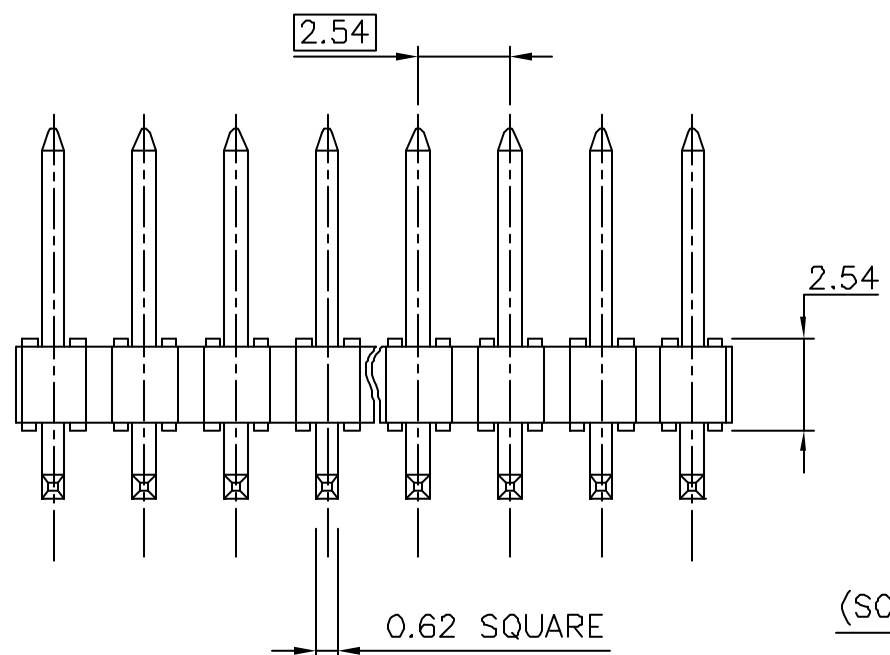
PIN STYLE SEE SHEET 2

PLATING SEE SHEET 2



NOTES:

1. HOUSING MAT'L : HIGH TEMPERATURE THERMOPLASTIC. UL94V-0 COLOR: BLACK
2. PIN MATERIAL : PHOSPHOR BRONZE
3. PRODUCT PACKAGED IN POLY BAGS.
4. 9N MIN RETENTION IN EITHER DIRECTION
5. TO DETERMINE DIMENSIONS :
N = NUMBER OF POSITIONS PER ROW
EXAMPLE : 8 POS N x 2.54 = 20.32mm
6. UNDERPLATING : 1.27µm Ni MIN
7. RoHS COMPATIBLE PRODUCT SPECIFICATIONS
 - a - PLATING:
 - "LF" MEANS THE PRODUCT IS LEAD-FREE, 2µm MINIMUM MATTE TIN OVER 1.27µm MINIMUM NICKEL UNDERPLATE.
 - b - MANUFACTURING PROCESS COMPATIBILITY
 - THE HOUSING WILL WITHSTAND EXPOSURE TO 260°C ±5°C SOLDER BATH TEMPERATURE FOR 5 SECONDS IN A WAVE SOLDER APPLICATION WITH A 1.6mm MIN THICK CIRCUIT BOARD.
 - c - LABELING:
 - MEETS PACKAGING SPECS AS PER GS-14-920
 - d - LEGAL STATEMENT: SEE GS-22-008



mat'l. code				surface		tolerance		projection		product family	
SEE NOTES				ISO 1302 ✓		ISO 406 ISO 1101		mm		BERGSTIK	
ltr	ecn no	dr	date	tolerances unless otherwise specified						title	
U	F20563	JCO	02.10.16	angles	Linear	.x ±0.3					UNSHR.HEADER RA SR TMT
V	F04-0129	LMU	04.02.04			.xx ±0.15					
W	F04-0167	JOC	04.04.05			.xxx ±0.05	scale 5:1				dwg no 77315
X	F04-0362	LMU	04.11.29	dr	D.LE	01.01.24			sheet 1 of 2		
Y	F05-0221	LMU	05.07.13	enrg	JM.C	01.01.24					type CUSTOMER Drawing
AA	F06-0194	LMU	06.06.09	chr	JM.C	01.01.24					
sheet index		revision	AA	X							
		sheet	1	2							



Copyright FCI

1

2 3

4

5

6

CATALOGUE RANGE

PLATING	PIN STYLE	MATING	SOLDER
1/4/8	01	5.72	2.57
1/4/8	18	5.84	3.05
1/4/8	24	6.75	2.85

PLATING

- 1 = 0.76µm GOLD ON CONTACT AREA
3.81µm TIN-LEAD ON TAIL
- 4 = 3.81µm TIN-LEAD ON CONTACT AREA
AND ON TAIL
- 8 = 0.38µm GOLD ON CONTACT AREA
3.81µm TIN-LEAD ON TAIL
- WHEN "LF" IS REQUIRED, 2µm MATTE
TIN OVER 1.27µm MIN NICKEL IS
PROVIDED INSTEAD OF TIN-LEAD

APPLICATION SPECIFIC

PLATING	PIN STYLE	MATING	SOLDER
1/4/8	7	5.72	5.11
1/4/8	13	5.72	3.45
1/4/8	22	11.71	3.2
1/4/8	25	8.07	3.05
1/4/8	26	8.2	12.6
1/4/8	27	5	3.9
1/4/8	28	3.1	3.1

PLATING

- 1 = 0.76µm GOLD ON CONTACT AREA
3.81µm TIN-LEAD ON TAIL
- 4 = 3.81µm TIN-LEAD ON CONTACT AREA
AND ON TAIL
- 8 = 0.38µm GOLD ON CONTACT AREA
3.81µm TIN-LEAD ON TAIL
- WHEN "LF" IS REQUIRED, 2µm MATTE
TIN OVER 1.27µm MIN NICKEL IS
PROVIDED INSTEAD OF TIN-LEAD

A

A

B

B

C

C

D

D



Copyright FCI

mat'l. code SEE NOTES				surface ISO 1302	tolerance ISO 406 ISO 1101	projection 	product family BERGSTIK	
ltr	ecn no	dr	date	tolerances unless	otherwise specified	mm 	title UNSHR.HEADER RA SR TMT	
U	F20563	JCO	02.10.16	angles	.x ±0.3			
V	F04-0362	LMU	04.11.29	linear	.xx ±0.15			
W	F05-0221	LMU	05.07.13		.xxx ±0.05			
X	F06-0194	LMU	06.06.09	dr	D.LE	01.01.24	scale 5:1	
				enr	JM.C	01.01.24	FCI dwg no 77315	
				chr	JM.C	01.01.24		sheet 2 of 2
				appd	JF.N	01.01.24		size A3
sheet index	revision sheet						type CUSTOMER Drawing	

form: A3

1

2

3

4

5

6