

MATERIAL NUMBER	# OF COLUMNS	# OF DIFF PAIR	DIM 'A' MAX	DIM 'B'	PTHØ
76410-*8**	8	24	15.20	13.30	0.46±0.05
76410-*1**	10	30	19.00	17.10	0.46±0.05
76410-*6**	16	48	30.40	28.50	0.46±0.05
76410-*8**	8	24	15.20	13.30	0.39±0.05
76410-*1**	10	30	19.00	17.10	0.39±0.05
76410-*6**	16	48	30.40	28.50	0.39±0.05

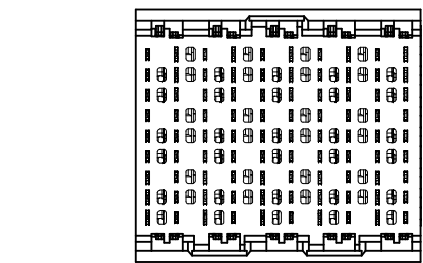
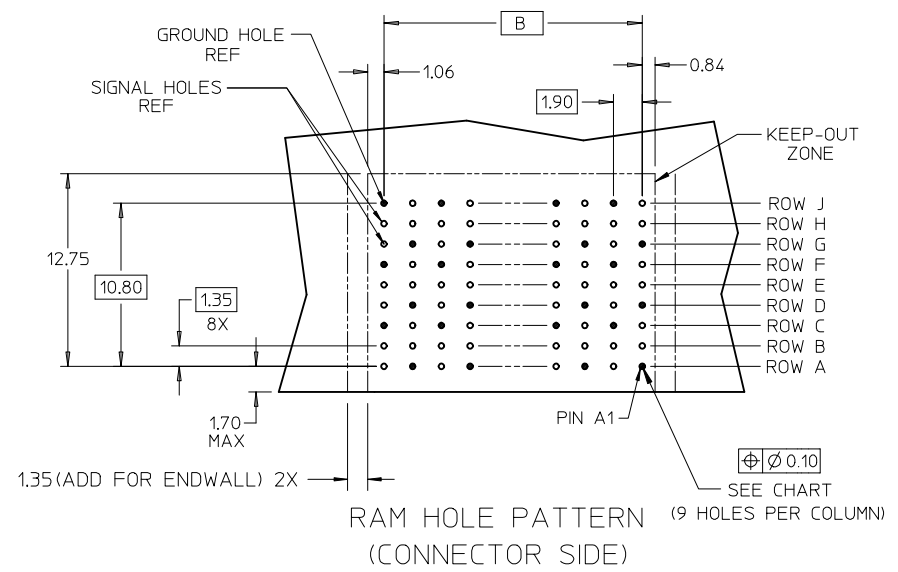
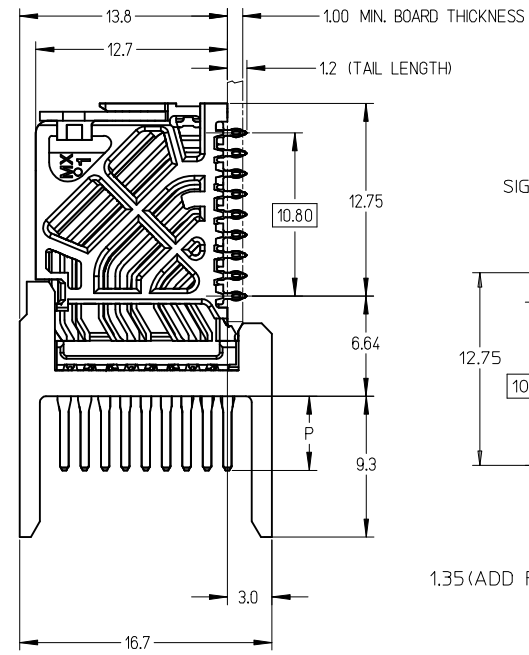
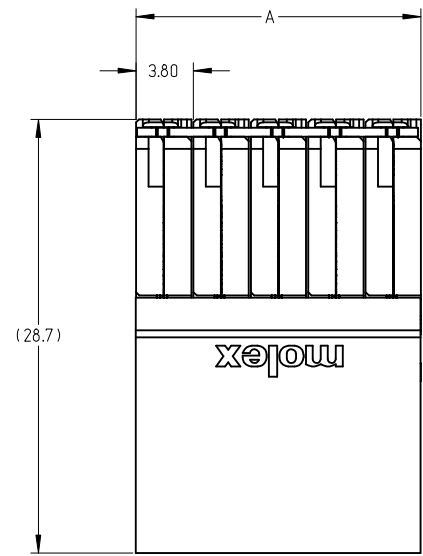
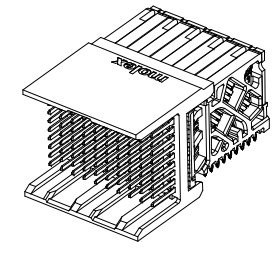
76410-****

MODULE TYPE
 0 = UNGUIDED, TIN-LEAD
 1 = UNGUIDED, LEAD-FREE

OF COLUMNS
 1 = 10 COLUMNS
 6 = 16 COLUMNS
 8 = 8 COLUMNS

PIN LENGTH (P)
 4 = 4.90 (0.46 PTH)
 5 = 5.50 (0.46 PTH)
 7 = 4.90 (0.39 PTH)
 8 = 5.50 (0.39 PTH)

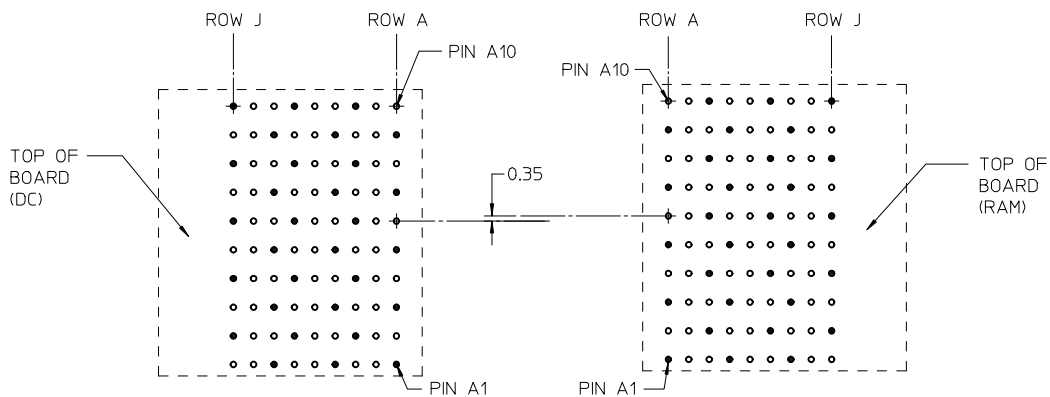
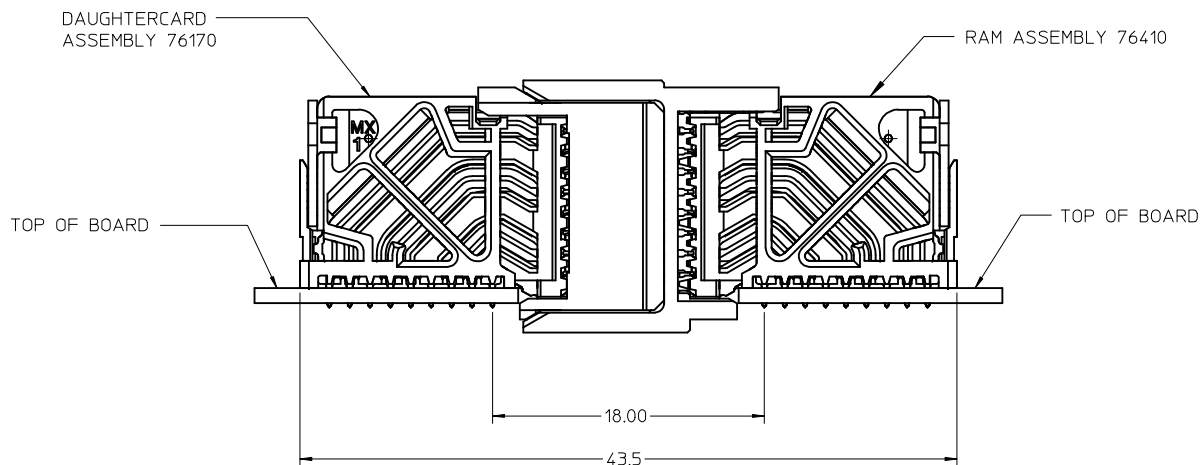
END WALL OPTIONS
 0 = OPEN ENDS
 1 = LEFT ENDWALL
 2 = DUAL ENDWALL
 3 = RIGHT ENDWALL



- NOTES:
1. MATERIALS: HOUSING - LIQUID CRYSTAL POLYMER (LCP), GLASS-FILLED, UL94V-0
TERMINALS - HIGH PERFORMANCE COPPER ALLOY
 2. FINISH: 30µIN SELECTIVE GOLD IN CONTACT AREA, SELECTIVE TIN OR TIN-LEAD ON PCB TAILS, NICKEL OVERALL.
 3. REFER TO MOLEX PRODUCT SPECIFICATION PS-76060-999 FOR PERFORMANCE SPECIFICATIONS AND ADDITIONAL PCB INFORMATION.
 4. EACH SIGNAL WAFER CONTAINS 2 COLUMNS OF TERMINALS.
 5. PRODUCT IS PACKAGED PER PK-70873-762.
 6. THIS PART CONFORMS TO CLASS B REQUIREMENTS OF COSMETIC SPEC PS-45499-002.
 7. REFER TO MOLEX SALES DRAWING SD-76170-001 FOR THE MATING RECEPTACLES.
 8. REFER TO MOLEX PCB ROUTING GUIDE AS-76060-990 FOR ANTIPAD AND ROUTING RECOMMENDATIONS.
 9. OPEN WALL VERSION SHOWN FOR CLARITY.

ADDED OPTIONS EC NO: UCP2009-1528 2009/04/09 DRWN: JONI AK 2009/04/17 CHKD: JLAURX 2009/04/17 APPR: JLAURX	QUALITY SYMBOLS ▽=0 ▽=0	GENERAL TOLERANCES (UNLESS SPECIFIED)	DIMENSION STYLE MM ONLY	SCALE 4:1	DESIGN UNITS METRIC	THIRD ANGLE PROJECTION																					
		<table border="1"> <thead> <tr> <th></th> <th>mm</th> <th>INCH</th> </tr> </thead> <tbody> <tr> <td>4 PLACES</td> <td>± .13</td> <td>± .005</td> </tr> <tr> <td>3 PLACES</td> <td>± .15</td> <td>± .006</td> </tr> <tr> <td>2 PLACES</td> <td>± 0.13</td> <td>± .005</td> </tr> <tr> <td>1 PLACE</td> <td>± 0.25</td> <td>± .010</td> </tr> </tbody> </table>		mm	INCH	4 PLACES	± .13	± .005	3 PLACES	± .15	± .006	2 PLACES	± 0.13	± .005	1 PLACE	± 0.25	± .010	<table border="1"> <thead> <tr> <th>DATE</th> <th>BY</th> </tr> </thead> <tbody> <tr> <td>2008/10/21</td> <td>JLAURX</td> </tr> <tr> <td>2008/10/21</td> <td>JONI AK</td> </tr> <tr> <td>2008/10/21</td> <td>JLAURX</td> </tr> </tbody> </table>	DATE	BY	2008/10/21	JLAURX	2008/10/21	JONI AK	2008/10/21	JLAURX	TITLE IMPACT 3 PAIR RAM UNGUIDED SIGNAL MODULE SALES DRAWING
	mm	INCH																									
4 PLACES	± .13	± .005																									
3 PLACES	± .15	± .006																									
2 PLACES	± 0.13	± .005																									
1 PLACE	± 0.25	± .010																									
DATE	BY																										
2008/10/21	JLAURX																										
2008/10/21	JONI AK																										
2008/10/21	JLAURX																										
DRAFT WHERE APPLICABLE MUST REMAIN WITHIN DIMENSIONS	SEE CHART	MATERIAL NO. SD-76410-001	DOCUMENT NO.	SHEET NO. 1 OF 2																							

COPLANAR APPLICATION



COPLANAR MATED SIGNAL PATHS



INITIAL RELEASE EC NO: UCP2009-1528 DRWN: JONI AK CHKD: JLAURX APPR: JLAURX	2009/04/09	QUALITY SYMBOLS ▽=0 ▽=0	DESCRIPTION REV
	2009/04/17		
	2009/04/17		
	2009/04/17		
	2009/04/17		

GENERAL TOLERANCES (UNLESS SPECIFIED)	
mm	INCH
4 PLACES ± ---	± ---
3 PLACES ± ---	± ---
2 PLACES ± 0.13	± ---
1 PLACE ± 0.25	± ---
ANGULAR ±1/2°	
DRAFT WHERE APPLICABLE MUST REMAIN WITHIN DIMENSIONS	

DIMENSION STYLE MM ONLY	
DRAWN BY JLAURX	DATE 2008/10/21
CHECKED BY JJONI AK	DATE 2008/10/21
APPROVED BY JLAURX	DATE 2008/10/21
MATERIAL NO. SEE CHART	
SIZE C	THIS DRAWING CONTAINS INFORMATION THAT IS PROPRIETARY TO MOLEX INCORPORATED AND SHOULD NOT BE USED WITHOUT WRITTEN PERMISSION

SCALE 4:1	DESIGN UNITS METRIC	THIRD ANGLE PROJECTION
IMPACT 3 PAIR RAM UNGUIDED SIGNAL MODULE SALES DRAWING		
MOLEX INCORPORATED		SHEET NO. 2 OF 2
DOCUMENT NO. SD-76410-001		