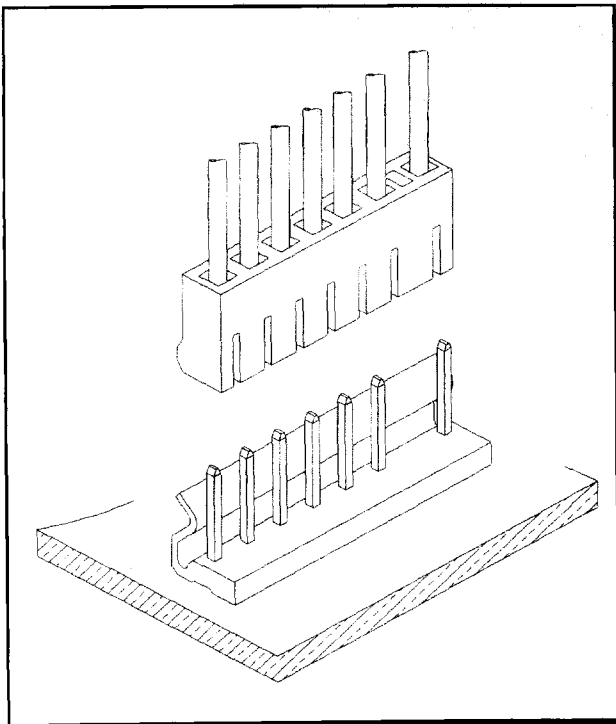


Features

- ◆ 7500 Housing:
 - Available in 2 through 15 circuits
 - Polarized with locking ramp
 - Nylon 6/6 UL94V-0
 - Accepts Leoco 3973, 3978, 3979 and 3983 crimp terminal
 - Mates with Leoco 7501, 7502, 7506 and 7507 header
- ◆ 7501, 7502, 7506 and 7507 Header:
 - Available in 2 through 15 circuits
 - Polarization molded friction lock
 - Pin length and plating options are available
 - 7501, 7502 : Nylon 6/6 UL94V-0
 - 7506, 7507 : Nylon 6/6 UL94V-2
 - 1.14mm (.045") square pin
 - Mates with Leoco 7500 socket



Specifications

- ◆ Current rating: 5A AC, DC
- ◆ Voltage rating: 250V AC, DC
- ◆ Temperature rating: -25°C ~ +105°C
- ◆ Contact resistance:
 - Initial: 20mΩ max.
 - After environmental test: 40mΩ max.
- ◆ Insulation resistance:
 - Initial: 1,000MΩ min.
 - After humidity and thermal shock test: 500MΩ min.
- ◆ Withstanding voltage: 1,500V AC /minute
- ◆ Applicable wire: AWG 18 to 26
- ◆ Applicable PC board thickness: 1.6mm

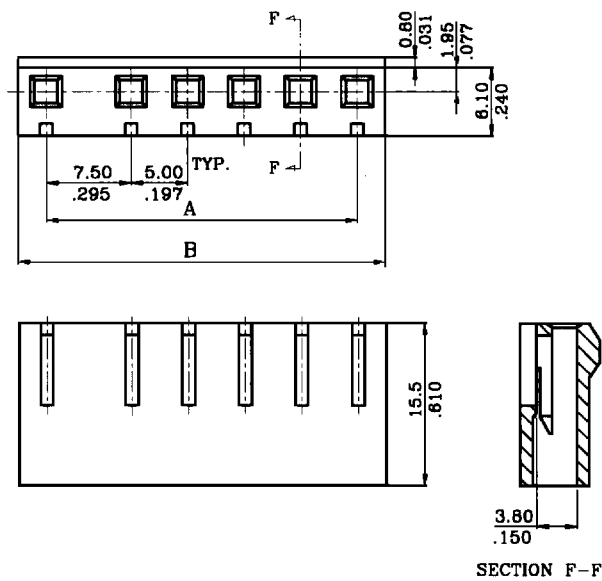
Standards

- Recognized No. E82349
- Certified No. LR65731
- Licensed No. R9052142

7500 Series 7.50-5.00mm (.295"-.197") Crimp Type Socket



Unit : $\frac{\text{mm}}{\text{inch}}$



Dimensional & Ordering Information:

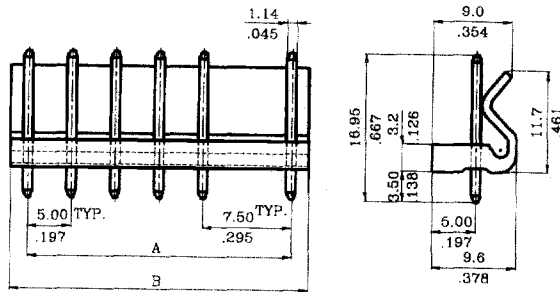
Circuits	Part No.	Dimension	
		A	B
2	7500S020013	7.50(.295)	12.50(.492)
3	7500S030013	12.50(.492)	17.50(.689)
4	7500S040013	17.50(.689)	22.50(.886)
5	7500S050013	22.50(.886)	27.50(1.083)
6	7500S060013	27.50(1.083)	32.50(1.280)
7	7500S070013	32.50(1.280)	37.50(1.476)
8	7500S080013	37.50(1.476)	42.50(1.673)
9	7500S090013	42.50(1.673)	47.50(1.870)
10	7500S100013	47.50(1.870)	52.50(2.067)
11	7500S110013	52.50(2.067)	57.50(2.264)
12	7500S120013	57.50(2.264)	62.50(2.461)
13	7500S130013	62.50(2.461)	67.50(2.657)
14	7500S140013	67.50(2.657)	72.50(2.854)
15	7500S150013	72.50(2.854)	77.50(3.051)

7501 Series 7.50-5.00mm (.295"-.197") Straight Header



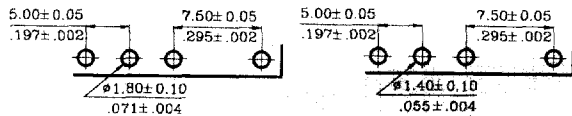
Unit : $\frac{mm}{inch}$

A



For square pin

For round pin



RECOMMENDED HOLE PATTERN

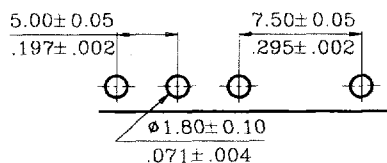
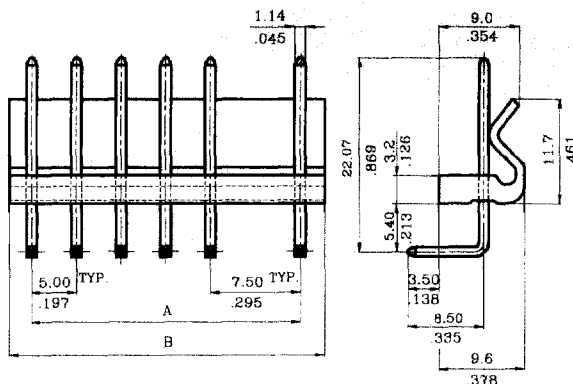
Dimensional & Ordering Information:

Circuits	Part No.		Dimension	
	Square Pin	Round Pin	A	B
2	7501P020013	7501P020R13	7.50(.295)	12.50(.492)
3	7501P030013	7501P030R13	12.50(.492)	17.50(.689)
4	7501P040013	7501P040R13	17.50(.689)	22.50(.886)
5	7501P050013	7501P050R13	22.50(.886)	27.50(1.083)
6	7501P060013	7501P060R13	27.50(1.083)	32.50(1.280)
7	7501P070013	7501P070R13	32.50(1.280)	37.50(1.476)
8	7501P080013	7501P080R13	37.50(1.476)	42.50(1.673)
9	7501P090013	7501P090R13	42.50(1.673)	47.50(1.870)
10	7501P100013	7501P100R13	47.50(1.870)	52.50(2.067)
11	7501P110013	7501P110R13	52.50(2.067)	57.50(2.264)
12	7501P120013	7501P120R13	57.50(2.264)	62.50(2.461)
13	7501P130013	7501P130P13	62.50(2.461)	67.50(2.657)
14	7501P140013	7501P140R13	67.50(2.657)	72.50(2.854)
15	7501P150013	7501P150R13	72.50(2.854)	77.50(3.051)

7502 Series 7.50-5.00mm (.295"-.197") Right Angle Header



Unit : $\frac{mm}{inch}$



RECOMMENDED HOLE PATTERN

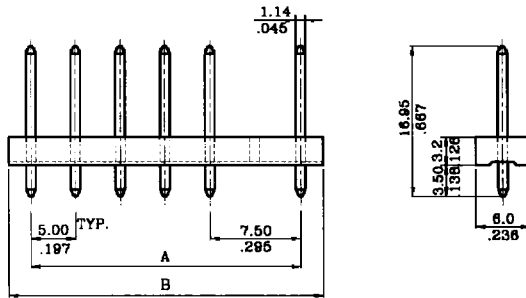
Dimensional & Ordering Information:

Circuits	Part No.	Dimension	
		A	B
2	7502P020013	7.50(.295)	12.50(.492)
3	7502P030013	12.50(.492)	17.50(.689)
4	7502P040013	17.50(.689)	22.50(.886)
5	7502P050013	22.50(.886)	27.50(1.083)
6	7502P060013	27.50(1.083)	32.50(1.280)
7	7502P070013	32.50(1.280)	37.50(1.476)
8	7502P080013	37.50(1.476)	42.50(1.673)
9	7502P090013	42.50(1.673)	47.50(1.870)
10	7502P100013	47.50(1.870)	52.50(2.067)
11	7502P110013	52.50(2.067)	57.50(2.264)
12	7502P120013	57.50(2.264)	62.50(2.461)
13	7502P130013	62.50(2.461)	67.50(2.657)
14	7502P140013	67.50(2.657)	72.50(2.854)
15	7502P150013	72.50(2.854)	77.50(3.051)

7506 Series 7.50-5.00mm (.295"-.197") Straight Header



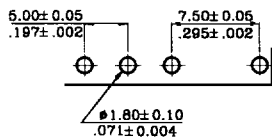
Unit : $\frac{\text{mm}}{\text{inch}}$



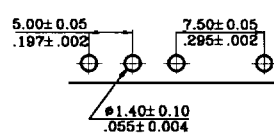
Dimensional & Ordering Information:

Circuits	Part No.		Dimension	
	Square Pin	Round Pin	A	B
2	7506P020000	7506P020R02	7.50(.295)	12.50(.492)
3	7506P030000	7506P030R02	12.50(.492)	17.50(.689)
4	7506P040000	7506P040R02	17.50(.689)	22.50(.886)
5	7506P050000	7506P050R02	22.50(.886)	27.50(1.083)
6	7506P060000	7506P060R02	27.50(1.083)	32.50(1.280)
7	7506P070000	7506P070R02	32.50(1.280)	37.50(1.476)
8	7506P080000	7506P080R02	37.50(1.476)	42.50(1.673)
9	7506P090000	7506P090R02	42.50(1.673)	47.50(1.870)
10	7506P100000	7506P100R02	47.50(1.870)	52.50(2.067)
11	7506P110000	7506P110R02	52.50(2.067)	57.50(2.264)
12	7506P120000	7506P120R02	57.50(2.264)	62.50(2.461)
13	7506P130000	7506P130R02	62.50(2.461)	67.50(2.657)
14	7506P140000	7506P140R02	67.50(2.657)	72.50(2.854)
15	7506P150000	7506P150R02	72.50(2.854)	77.50(3.051)

For square pin



For round pin

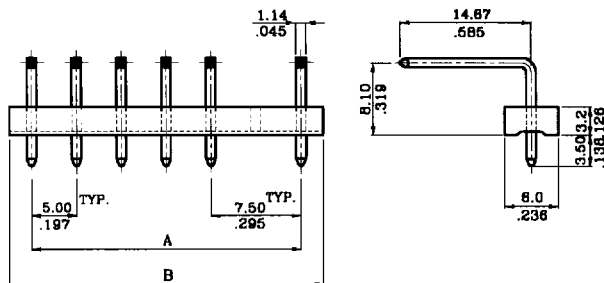


RECOMMENDED HOLE PATTERN

7507 Series 7.50-5.00mm (.295"-.197") Right Angle Header

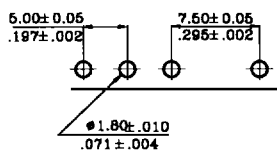


Unit : $\frac{\text{mm}}{\text{inch}}$



Dimensional & Ordering Information:

Circuits	Part No.	Dimension	
		A	B
2	7507P020000	7.50(.295)	12.50(.492)
3	7507P030000	12.50(.492)	17.50(.689)
4	7507P040000	17.50(.689)	22.50(.886)
5	7507P050000	22.50(.886)	27.50(1.083)
6	7507P060000	27.50(1.083)	32.50(1.280)
7	7507P070000	32.50(1.280)	37.50(1.476)
8	7507P080000	37.50(1.476)	42.50(1.673)
9	7507P090000	42.50(1.673)	47.50(1.870)
10	7507P100000	47.50(1.870)	52.50(2.067)
11	7507P110000	52.50(2.067)	57.50(2.264)
12	7507P120000	57.50(2.264)	62.50(2.461)
13	7507P130000	62.50(2.461)	67.50(2.657)
14	7507P140000	67.50(2.657)	72.50(2.854)
15	7507P150000	72.50(2.854)	77.50(3.051)



RECOMMENDED HOLE PATTERN