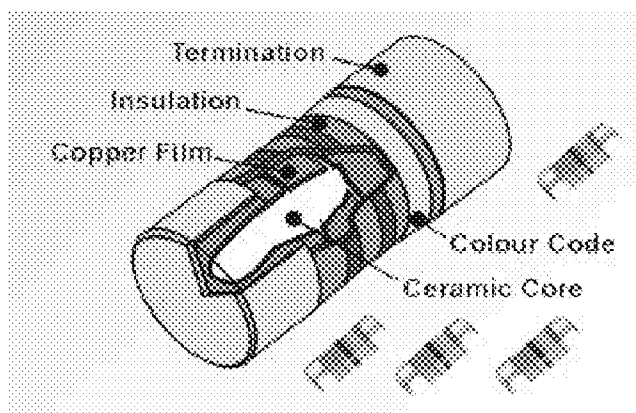


SIM0204 MINI MELF INDUCTOR , HIGH Q

Features

- Stable metal film on high quality ceramic
- High Q values on higher frequencies
- Compatible with vapor phase and infrared reflow soldering
- Automatic placement capability
- Applicable for :TV-sets, cordless telephones, PCMCIA-cards, Tuner, Modems , Video equipment
- Operating Temperature Range : -55°C ... +125°C



Style

Type	Ind NH	Tol.	Q											SRF (min) MHz	DCR (max) mOhm	IDC (max) (mA)
			(typical)													
			(Frequency in MHz)													
			100MHz	100	200	300	450	500	800	900	1000	1700	1800			
SIM0204	1,0	± 0,3nH	16	22	38	57	74	80	98	110	122	150		9800	9	2500
	1,2		16	24	38	55	73	80	100	110	120	155		9300	12	2500
	1,5		16	25	40	55	70	75	97	105	110	150		9000	15	2500
	1,8		16	25	38	53	61	70	90	95	100	120	140	8500	20	2500
	2,2		16	26	37	43	50	53	65	70	73	95	100	8000	25	2000
	2,7		16	21	29	35	40	45	58	61	65	92	98	8500	30	2000
	3,3	± 0,3nH	16	19	25	30	37	40	55	60	63	90	98	7000	37	2000
	3,9	± 10%	16	19	25	31	37	41	55	60	65	92	97	6800	45	1500
	4,7		16	20	25	32	38	45	62	66	70	92	97	6500	60	1500
	5,6		16	20	23	30	35	43	58	62	67	90	95	6200	75	1500
	6,8		16	19	23	30	38	47	58	60	65	87	90	6000	90	1500
	8,2		16	19	23	28	34	38	55	58	63	86	90	5800	120	1500
	10		16	18	23	27	33	37	50	55	60	85	87	5600	150	1500
	12		16	18	23	28	35	40	53	57	60	78	82	5100	180	1000
	15		16	18	24	30	36	40	50	53	55	70	72	4500	200	1000
	18		16	18	25	31	40	42	50	52	55	64	65	4100	250	1000
	22		16	18	25	30	35	40	53	58	65	52	50	3800	300	1000
	27		16	20	27	33	37	43	60	67	72	60	58	3400	350	650
	33		16	21	30	35	38	43	58	65	75	60	58	3200	400	650
	39		16	21	30	35	40	45	60	65	70	50	48	3000	500	650
47	16		22	30	37	47	49	65	68	70	48	45	2800	600	500	
56	16	22	30	38	46	50	65	70	67	45	40	2500	800	500		
68	16	23	31	38	44	48	58	60	57	32	---	2300	1000	400		
82	16	23	31	38	48	50	60	55	45	---	---	2100	1400	400		
100	16	23	31	38	48	50	59	57	52	---	---	2000	1700	400		

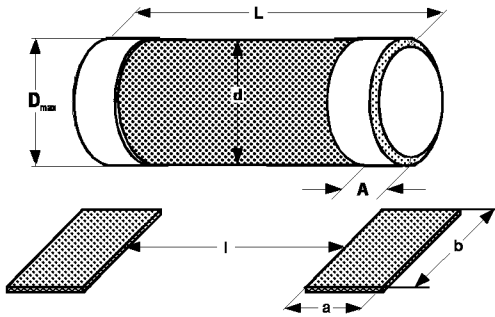
Testing : Inductance & Q : HP4291A ; HP4286 Fixture 16192A
 RDC : esi1700
 SRF : HP4342A ; HP8753B ; HP8753D ; HP4291A
 Q vs. Frequency : HP4291A Test fixture –HP16192A
 IDC : Determined when superimposed DC current is decreased 10% against its initial value

Technical Data

Temperature coefficient of inductance	± 100 ppm / K
Working temperature range	- 55 °C ... 125 °C
Q _{min} at 45MHz	11
Core Material	85 % Alumina
Dielectric Withstanding Voltage	500 V AC
Insulation Resistance	> 1.000 MΩ
Weight per 1000pcs	20 g
Flammability [withstands needle-flame test.]	IEC 695-2-2
Solderability	max. 260°C for 10 sec.

SIM0204 MINI MELF INDUCTOR , HIGH Q

Dimensions

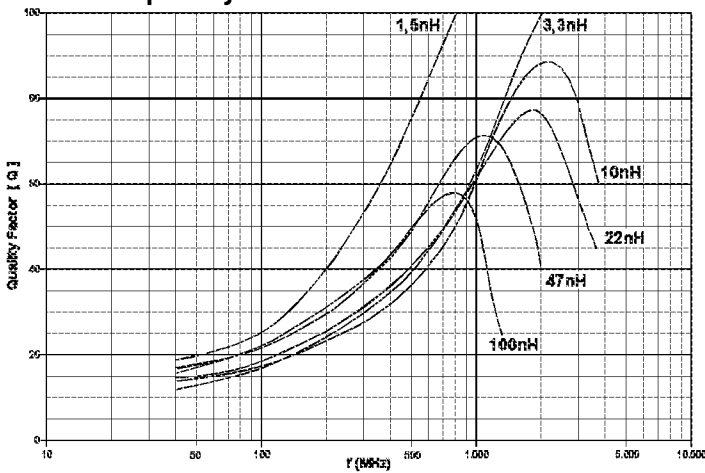


Type	Dimensions (mm)				
	D _{max}	d*	L	A _{max}	A _{min}
SIM0204	1,4	D -0,15	3,6 - 0,15	0,85	0,5

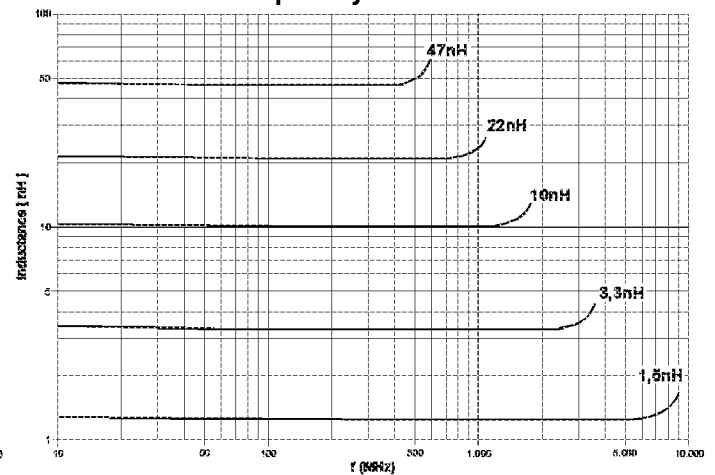
* d measured in the middle of the resistor

Type	Solder Pad Dimensions (mm)					
	Reflow Soldering			Wave Soldering		
	a	b	l	a	b	l
SIM0204	1,0	1,6	2,2	1,2	1,6	2,2

Q vs Frequency



Inductance vs. Frequency



Performance

TEST	Conditions of Test	Test Results [$\Delta L / \Delta Q$]
Static humidity	Inductor subjected to 95 \pm 5% R.H. at 50°C \pm 2% for 100hours	\pm 3% / \pm 5%
High temperature storage	Inductors subjected to +125°C for 48 \pm 2 hours	\pm 5% / \pm 10%
Thermal shock	10cycles of -40°C/30minutes and +125°C/30minutes	\pm 5% / \pm 10%
Low temperature storage	Inductor shall be subjected to - 40°C \pm 2°C for 48 \pm 2 hours	\pm 5% / \pm 10%
High temperature load life	Biased to full rated current at +125°C for 1000 hours	\pm 5% / \pm 10%

Unless otherwise specified , measurements shall be performed within 2 hours after leaving test samples for more than one hour at the normal temperature and humidity .

Packaging:

Type	Reel				Bulk			
	Tapewidth	Diameter	Pieces/Reel	Code	Bulk Feeding Magazine		Loose in Plastic Container	
					Pieces / Magazine	Code	Pieces / Container	Code
SIM0204	8mm Blisertape	180mm 330mm	3000 10000	B3 B0	3000	M3	5000	L5

Ordering Information

SIM0204 Style	EC Version [EC = Epoxy Coated]	3N3 Inductance Value nH	10% Tolerance \pm %	B0 Packaging B0-Blisertape 10.000 pcs
-------------------------	---	--------------------------------------	------------------------------------	--