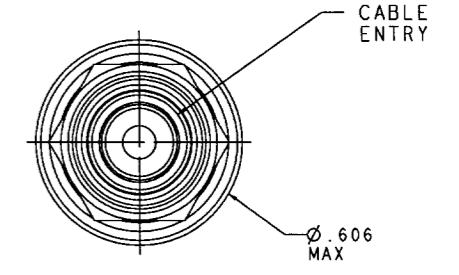
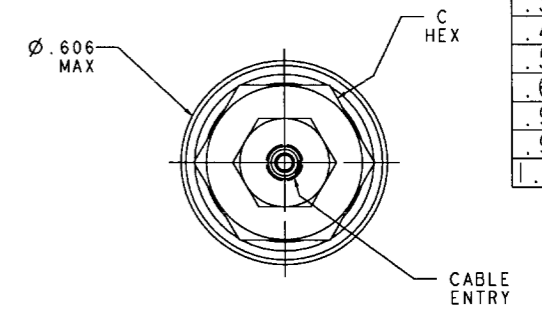
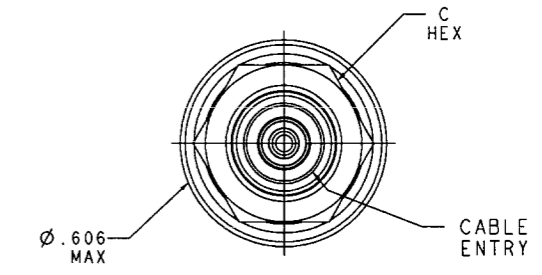
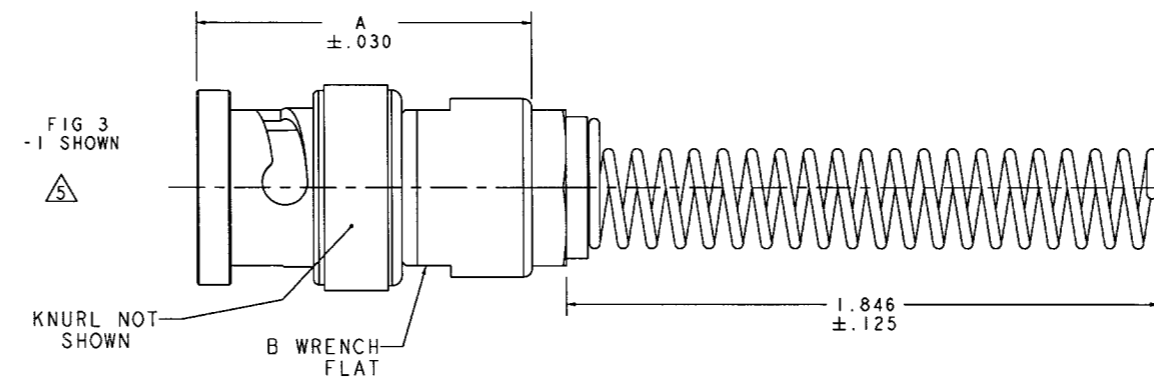
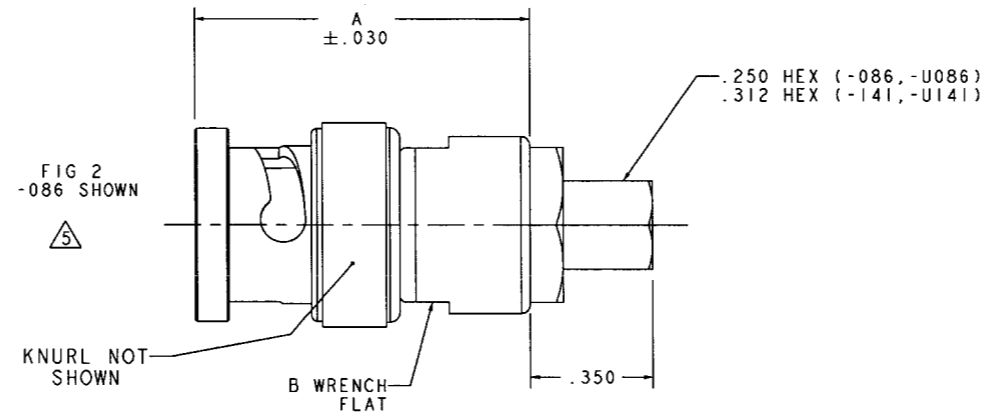
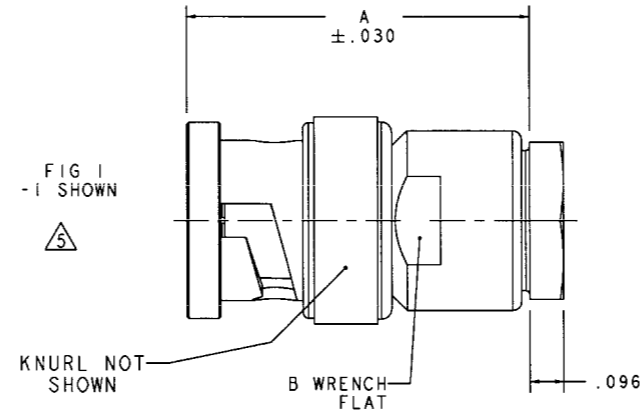


RED INDICATES ORIGINAL

DATA CONTAINED IN THIS DOCUMENT IS PROPRIETARY TO TROMPETER ELECTRONICS INC. AND SHALL NOT BE DISCLOSED, COPIED OR USED FOR PROCUREMENT OR MANUFACTURE WITHOUT EXPRESS WRITTEN PERMISSION

REVISIONS			1-0369	SH IC	
REV	ECO NO.	DESCRIPTION	DWN	APPROVED	DATE
AE	11583	DASH NO COLUMN, -U1 WAS -1U; SHEET 2, MADE CORRECTION IN 1 SECTION VIEW; SEE ECO	LSR	<i>[Signature]</i>	<i>[Date]</i>

DASH NO	FIG	CABLES ACCOMMODATED	A DIM	B FLATS	C HEX	ASSEMBLE PER					
-1	1.3	RG-58	.931	.437	.437	TAI-101					
-U1		ESSEX 621-715									
-2		RG-59									
-U2		BELDEN 8279									
-2A		AT&T 730A									
-U2A		RG-223									
-2B		RG-55									
-U2B		RG-122									
-3		BELDEN 8218									
-U3		RG-174									
-3A		RG-187									
-U3A		RG-196									
-4		HEWLETT-PACKARD 8120-1107									
-U4		BELDEN 9231									
-5		1.3					RG-5	.988	.500	.500	TAI-119
-U5	RG-6										
-5A	RG-303										
-U5A	RG-180										
-5B	GRUMMAN GC875GPI										
-U5B	RG-187 DBL SHLD										
-6	BELDEN 8228										
-6E	275-3991 MICRODOT										
-U6E	616-569 AMPEX										
-21	810 RAYCHEM										
-U21	RG-304										
-22	9248 BELDEN										
-U22	9248 BELDEN										
-23	BRAND-REX B749										
-U23	GORE C06C032										
-24	1.3	88281 BELDEN	.988	.500	.500	TAI-119					
-U24		89120 BELDEN									
-25		89555 BELDEN									
-U25		89555 BELDEN									
-26		734A, AT&T									
-U26		734A, AT&T									
-27		2					RG-405	.931	.437	.437	TAI-101
-U27							RG-405				
-28							RG-402				
-U28		RG-402					TAI-130				



INCH	MM
.005	0.13
.030	0.76
.096	2.44
.125	3.18
.250	6.35
.312	7.92
.350	8.89
.437	11.10
.500	12.70
.606	15.39
.931	23.65
.988	25.10
1.846	46.89

IF BEND RELIEF SPRING REQUIRED ADD SUFFIX "BR" TO MODEL NO. (SEE FIG 3) (NOT AVAILABLE WITH CABLE GROUPS -6, -U6, -6E, -U6E, -51, -U51, -52, -U52, -63, -U63 -086, -U086, -141 & -U141)

FOR CABLE GROUPS -1 & -U1 SUPPLY 1 EA ACA1 FOR CABLE GROUPS -2 & -U2 SUPPLY 1 EA ACA2 FOR CABLE GROUPS -5 & -U5 SUPPLY 1 EA ACA5 MAY BE ASSEMBLED TO CABLE/CONNECTOR ASSY USING 3M SCOTCHGRIP NO. 1099 PLASTIC ADHESIVE, OR EQUIV.

IF PLASTIC STRAIN RELIEF REQUIRED, ADD SUFFIX "BT" TO MODEL NO. (ONLY AVAILABLE WITH -1, -U1, -2, -U2, -5, -U5)

- ALL DIM ARE IN INCHES
- FINISH: TFS-1A(NICKEL)(TOTAL BUILD-UP .000180-.000450)
- DASH NO DENOTES CABLE GROUP EXCEPT "U" PREFIX DENOTES 75 OHM VERSION
- BNC COAXIAL CABLE PLUG BOTH 50 & 75 OHM VERSIONS

QTY	DESCRIPTION	PART NUMBER	ITEM
	TOL UNLESS SPECIFIED		
	110-0003	110-0002	
	12-09 105-1004 1-0204	1-0227	
	105-0717 105-0870 1-0207	105-0944	
	305-0541 105-0698 1-0212	105-0007	
	105-0158 105-0697 1-0215	105-0449	
	305-0383 105-0659 1-0216	105-0394	
	305-0187 105-0461 1-0218	1-0304	
	105-1016 105-0295 1-0220		
	NEXT ASSY		
	APPR	6/26/96	SCALE 4/1

TROMPETER ELECTRONICS, INC®		PL20/BR/ UPL20/BR
DWG LSR 6-26-96	MATERIAL	CODE IDENT
ENGR	14949	DRAWING NO. 1-0369
APPR	DATE 10-22-73	SHEET 1C