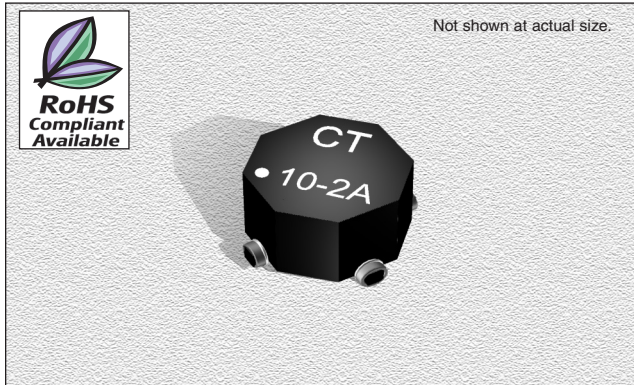


## CTCTX-2A Series

From 0.284  $\mu\text{H}$  to 303.70  $\mu\text{H}$

### SPECIFICATIONS

Parts are available in  $\pm 25\%$  tolerance only.  
**CTCTXE-----2A Please specify "F" for RoHS compliant.**



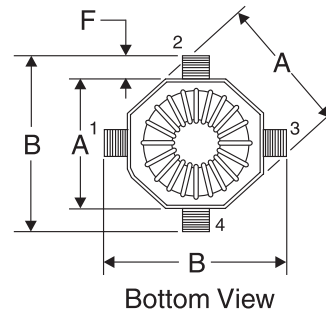
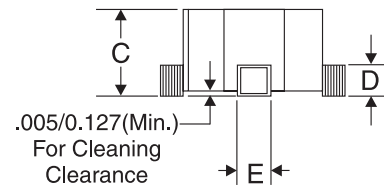
Part Number	PARALLEL			SERIES			Height C (mm)
	OCL ( $\mu\text{H} \pm 25\%$ )	DCR Max. ( $\Omega$ )	I <sub>rms</sub> (A)	OCL ( $\mu\text{H} \pm 25\%$ )	DCR Max. ( $\Omega$ )	I <sub>rms</sub> (A)	
CTCTX_0.33-2A	0.284	0.0033	10.9	1.14	0.0132	5.47	6.9
CTCTX_0.68-2A	0.675	0.0045	9.4	2.70	0.0180	4.68	6.9
CTCTX_1-2A	1.26	0.0058	8.22	5.06	0.0233	4.11	6.9
CTCTX_2-2A	1.98	0.0090	6.74	7.90	0.035	3.37	6.9
CTCTX_5-2A	5.06	0.021	4.34	20.22	0.084	2.17	5.0
CTCTX_8-2A	7.90	0.032	3.50	31.60	0.129	1.75	5.0
CTCTX_10-2A	11.38	0.047	2.89	45.50	0.188	1.45	5.0
CTCTX_15-2A	15.48	0.054	2.69	61.94	0.218	1.35	5.0
CTCTX_20-2A	20.22	0.078	2.24	80.90	0.313	1.12	5.0
CTCTX_25-2A	25.60	0.111	1.89	102.38	0.443	0.94	5.0
CTCTX_33-2A	34.84	0.162	1.56	139.40	0.649	0.78	5.0
CTCTX_50-2A	49.38	0.240	1.28	197.50	0.961	0.64	5.0
CTCTX_68-2A	66.44	0.342	1.07	265.80	1.367	0.54	5.0
CTCTX_100-2A	102.38	0.695	0.75	409.50	2.778	0.38	5.0
CTCTX_150-2A	152.90	0.842	0.68	611.80	3.366	0.34	5.0
CTCTX_200-2A	197.50	0.950	0.64	790.00	3.800	0.32	5.0
CTCTX_300-2A	303.70	1.174	0.58	1215.00	4.697	0.29	5.0

### PHYSICAL DIMENSIONS

Size	A	B	C	D	E	F
	Nom.	Nom.	Max.	Max.	Max.	Min.
mm	9.0	11.4	See ordering info	3.05	3.56	0.762
inches	0.35	0.45	info	0.12	0.14	0.03

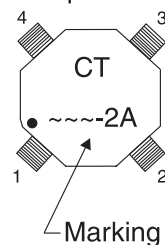
### CHARACTERISTICS

- Description:** SMD Toroidal Common Mode Choke
- Applications:** Single inductors, 1:1 coupled inductors, & 1:1 isolation transformers
- Operating Temperature:** -40°C to +85°C
- Storage Temperature:** -40°C to +125°C
- Inductance Tolerance:**  $\pm 25\%$
- Testing:** Inductance is tested on an HP4285A at 100 kHz
- Packaging:** Tape & Reel
- Marking:** Parts marked with inductance code & series type
- Miscellaneous:** RoHS Compliant available.
- Additional Information:** Additional electrical & physical information available upon request
- Samples available.** See website for ordering information.



Bottom View

Top View



Marking

### CONNECTION DIAGRAM

