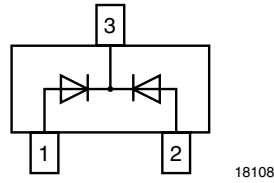
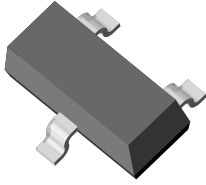


Dual Varicap Diode



18108

MECHANICAL DATA

Case: SOT23

Weight: approx. 8.1 mg

Packaging codes/options:

GS18/10K per 13" reel (8 mm tape), 10K/box

GS08/3K per 7" reel (8 mm tape), 15K/box

FEATURES

- Silicon epitaxial planar diode
- Common cathode
- AEC-Q101 qualified
- Compliant to RoHS directive 2002/95/EC and in accordance to WEEE 2002/96/EC


RoHS
COMPLIANT

APPLICATIONS

- Tuning of separate resonant circuits
- Push-pull circuits in FM range
- Especially for car radios

PARTS TABLE

PART	TYPE DIFFERENTIATION	ORDERING CODE	TYPE MARKING	REMARKS
BB814-1	$V_{RRM} = 20\text{ V}$, $C_{D2} = 43\text{ pF}$ to 45.5 pF	BB814-1-GS18 or BB814-1-GS08	SH1	Tape and reel
BB814-2	$V_{RRM} = 20\text{ V}$, $C_{D2} = 44.5\text{ pF}$ to 46.5 pF	BB814-2-GS18 or BB814-2-GS08	SH2	Tape and reel

ABSOLUTE MAXIMUM RATINGS ⁽¹⁾

PARAMETER	TEST CONDITIONS	SYMBOL	VALUE	UNIT
Repetitive peak reverse voltage		V_{RRM}	20	V
Reverse voltage		V_R	18	V
Forward current		I_F	50	mA

Note
⁽¹⁾ $T_{amb} = 25\text{ }^\circ\text{C}$, unless otherwise specified

THERMAL CHARACTERISTICS ⁽¹⁾

PARAMETER	TEST CONDITIONS	SYMBOL	VALUE	UNIT
Junction temperature		T_j	125	$^\circ\text{C}$
Storage temperature range		T_{stg}	- 55 to + 150	$^\circ\text{C}$

Note
⁽¹⁾ $T_{amb} = 25\text{ }^\circ\text{C}$, unless otherwise specified

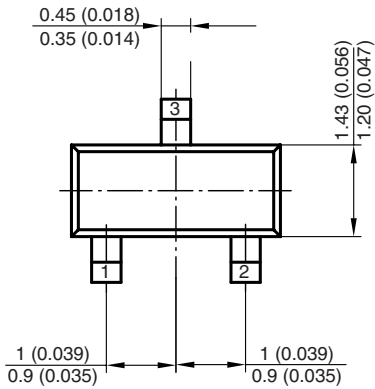
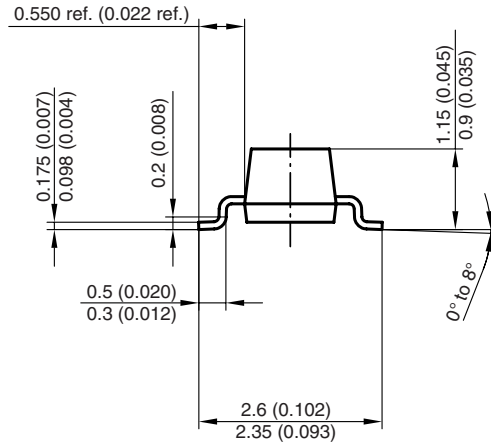
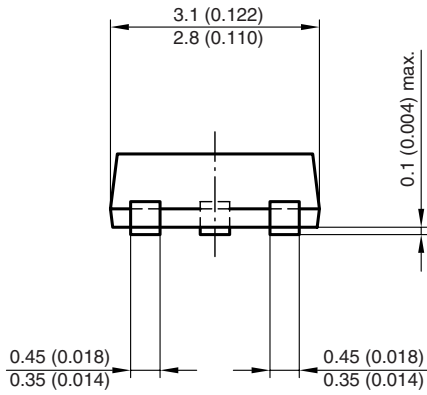
ELECTRICAL CHARACTERISTICS ⁽¹⁾

PARAMETER	TEST CONDITIONS	PART	SYMBOL	MIN.	TYP.	MAX.	UNIT
Reverse current	$V_R = 16\text{ V}$		I_R			20	nA
	$V_R = 16\text{ V}$, $T_j = 60\text{ }^\circ\text{C}$		I_R			200	nA
Diode capacitance ⁽²⁾	$V_R = 2\text{ V}$	BB814-1	C_{D2}	43		45.5	pF
		BB814-2	C_{D2}	44.5		46.5	pF
	$V_R = 8\text{ V}$	BB814-1	C_{D8}	19.1		21.95	pF
		BB814-2	C_{D8}	19.75		22.70	pF
Capacitance ratio	$V_R = 2\text{ V}$, 8 V , $f = 1\text{ MHz}$		C_{D2}/C_{D8}	2.05		2.25	
Series resistance	$C_D = 38\text{ pF}$, $f = 100\text{ MHz}$		R_s			0.5	Ω

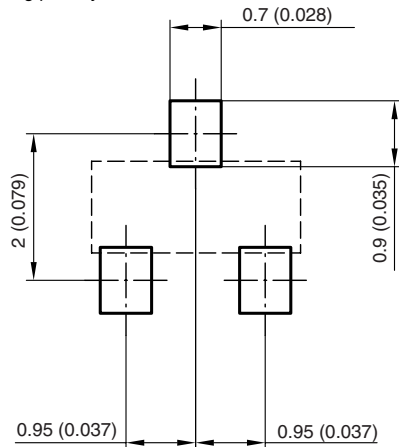
Notes
⁽¹⁾ $T_{amb} = 25\text{ }^\circ\text{C}$, unless otherwise specified

⁽²⁾ In the reverse voltage range of $V_R = (2\text{ V to } 8\text{ V})$ for diodes 4 taped in sequence the max. deviation is 3 %

PACKAGE DIMENSIONS in millimeters (inches): **SOT23**



Mounting pad layout



Document no.: 6.541-5014.01-4
Rev. 8 - Date: 23. Sep. 2009
17418



Disclaimer

All product specifications and data are subject to change without notice.

Vishay Intertechnology, Inc., its affiliates, agents, and employees, and all persons acting on its or their behalf (collectively, "Vishay"), disclaim any and all liability for any errors, inaccuracies or incompleteness contained herein or in any other disclosure relating to any product.

Vishay disclaims any and all liability arising out of the use or application of any product described herein or of any information provided herein to the maximum extent permitted by law. The product specifications do not expand or otherwise modify Vishay's terms and conditions of purchase, including but not limited to the warranty expressed therein, which apply to these products.

No license, express or implied, by estoppel or otherwise, to any intellectual property rights is granted by this document or by any conduct of Vishay.

The products shown herein are not designed for use in medical, life-saving, or life-sustaining applications unless otherwise expressly indicated. Customers using or selling Vishay products not expressly indicated for use in such applications do so entirely at their own risk and agree to fully indemnify Vishay for any damages arising or resulting from such use or sale. Please contact authorized Vishay personnel to obtain written terms and conditions regarding products designed for such applications.

Product names and markings noted herein may be trademarks of their respective owners.