

Quad 10/100 Mbps Transformer & Choke 7095-37

Features

- Meets IEEE 802.3 standard
- Supports Level One's LXT974, LXT975, and LXT98X series
- Intended application 2 : 1 turn ratio requirement
- Designed for 155Mbps ATM, 100Base TX & TP-PMD networks
- Supports UTP-5 STP cable

Tolerances

- Unless otherwise specified:
.xxx ±0.010"

Unit Weight

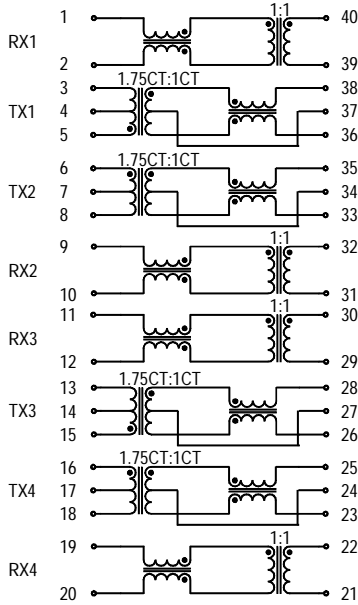
- Weight4 grams

Standard Packaging

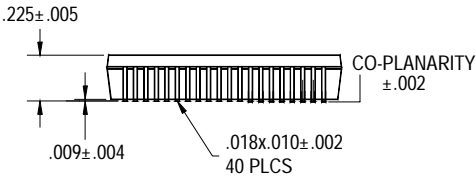
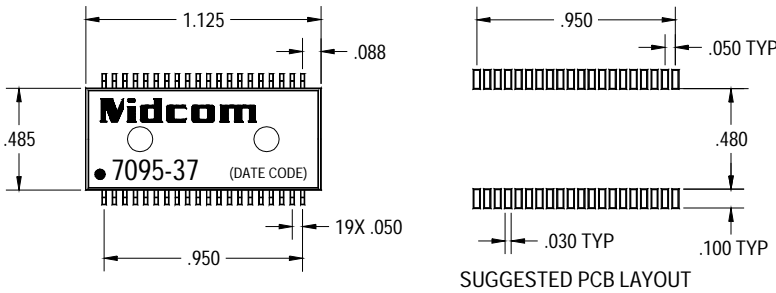
- Tape & Reel.....375/reel

Special Order

- Tubes.....18/tube



	Insertion Loss dB max	Return Loss dB min		CMRR dB min	Crosstalk dB min	OCL µH min	Isolation Vrms min
	100KHz 60MHz	100KHz 30MHz	31MHz 80MHz	100KHz 100MHz	100KHz 65MHz	8mA DC 0° -70° C	1 minute @ 60Hz
TX							
RX	-1.1	-18	-14	-30	-35	350	1500



Midcom, Inc
121 Airport Drive
PO Box 1330
Watertown, SD 57201-6330 USA
www.midcom-inc.com
e-mail: sales@midcom-inc.com
Toll Free (US & Canada)
800.643.2661
Phone 605.886.4385
Fax 605.886.4486