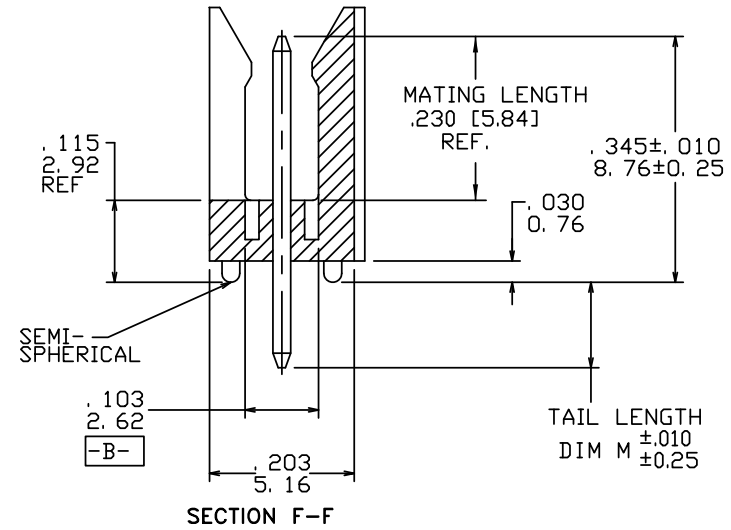
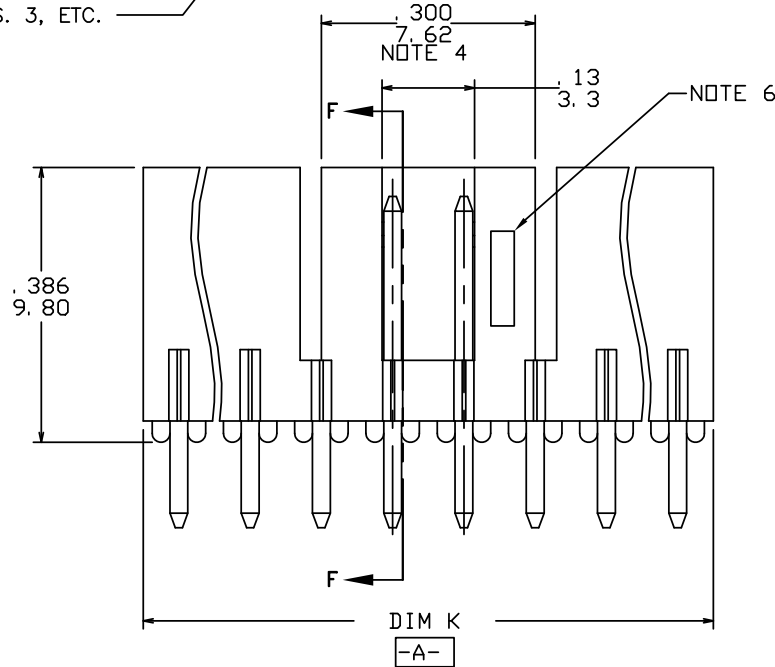
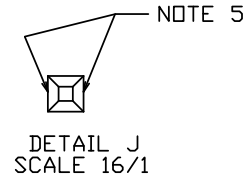
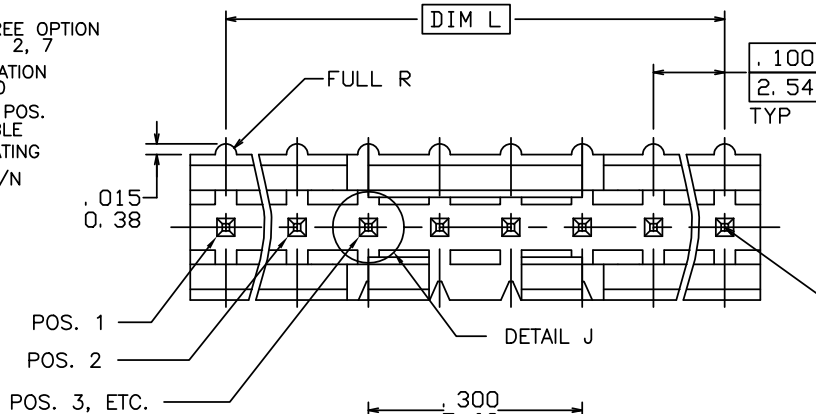



PRODUCT NUMBER  
69167-XXXXXXHLF

- LEAD FREE OPTION  
NOTE 1, 2, 7
- POLARIZATION  
NOTE 10
- NO. OF POS.  
SEE TABLE
- PIN PLATING
- BASE P/N



mat'l. code		surface ISO 1302 ✓		tolerance ISO 406 ISO 1101		projection INCH/MM		product family HEADER	
ltr ecn nchr date		tolerances unless otherwise specified		angles		line		title	
T	6X-N-011888	JZ	2012-05-31					FRICITION LATCH HEADER SINGLE ROW VERTICAL	
M	V03-0352	GIP	03/25/03	0°±2'				scale 4:1	
N	M05-0134	MHT	6/17/05	dr	M.CLOUSER	11/27/90	 dwg no 69167 sheet of 3 size A3 type Product Customer Drawing		
P	M05-0176	ERE	08/05/05	engr	C.TREXTLER	11/27/90			
R	M06-0256	MHT	9/07/06	chr	C.TREXTLER	11/27/90			
S	M08-0291	MHT	10/06/08	appd	C.TREXTLER	11/27/90			
sheet	revisi	T	T						
index	sheet	1	2	3					

PRODUCT NUMBER	NO OF POS	DIM K	DIM L	TAIL LENGTH DIM M
69167-X03	1 X 3	.300/7.62	.200/5.08	.120/3.05
69167-X04	1 X 4	.400/10.16	.300/7.62	.120/3.05
69167-X05	1 X 5	.500/12.70	.400/10.16	.120/3.05
69167-X06	1 X 6	.600/15.24	.500/12.70	.120/3.05
69167-X07	1 X 7	.700/17.78	.600/15.24	.120/3.05
69167-X08	1 X 8	.800/20.32	.700/17.78	.120/3.05
69167-X09	1 X 9	.900/22.86	.800/20.32	.120/3.05
69167-X10	1 X 10	1.000/25.40	.900/22.86	.120/3.05
69167-X11	1 X 11	1.100/27.94	1.000/25.40	.120/3.05
69167-X12	1 X 12	1.200/30.48	1.100/27.94	.120/3.05
69167-X13	1 X 13	1.300/33.02	1.200/30.48	.120/3.05
69167-X14	1 X 14	1.400/35.56	1.300/33.02	.120/3.05
69167-X15	1 X 15	1.500/38.10	1.400/35.56	.120/3.05
69167-X16	1 X 16	U N A	V A I L A B L E	
69167-X17	1 X 17	U N A	V A I L A B L E	
69167-X18	1 X 18	U N A	V A I L A B L E	
69167-X19	1 X 19	U N A	V A I L A B L E	
69167-X20	1 X 20	U N A	V A I L A B L E	
69167-X21	1 X 21	U N A	V A I L A B L E	
69167-X22	1 X 22	U N A	V A I L A B L E	
69167-X23	1 X 23	U N A	V A I L A B L E	
69167-X24	1 X 24	U N A	V A I L A B L E	
69167-X25	1 X 25	U N A	V A I L A B L E	
69167-X26	1 X 26	U N A	V A I L A B L E	
69167-X27	1 X 27	U N A	V A I L A B L E	
69167-X28	1 X 28	U N A	V A I L A B L E	
69167-X29	1 X 29	U N A	V A I L A B L E	
69167-X30	1 X 30	U N A	V A I L A B L E	
69167-X31	1 X 31	U N A	V A I L A B L E	
69167-X32	1 X 32	U N A	V A I L A B L E	
69167-X33	1 X 33	U N A	V A I L A B L E	
69167-X34	1 X 34	U N A	V A I L A B L E	
69167-X35	1 X 35	U N A	V A I L A B L E	
69167-X36	1 X 36	U N A	V A I L A B L E	

PIN PLATING CODES	
XXXXX-1YY	30u"/0.76u MIN (SEE NOTE 8) OVER 50u"/1.27u MIN NI
XXXXX-2YY	15u"/0.38u MIN (SEE NOTE 8) OVER 50u"/1.27u MIN NI
XXXXX-3YY	50u"/1.27u MIN (SEE NOTE 8) OVER 50u"/1.27u MIN NI
XXXXX-4YY	100u"/2.54u MIN Sn OVER 50u"/1.27u MIN NI (SEE NOTE 9)
XXXXX-4YYHLF	
XXXXX-5YY	15u"/0.38u MIN (SEE NOTE 8) OVER 50u"/1.27u MIN NI
XXXXX-6YY	30u"/0.76u MIN (SEE NOTE 8) OVER 50u"/1.27u MIN NI
XXXXX-7YY	30u"/0.76u MIN (SEE NOTE 8) OVER 50u"/1.27u MIN NI
XXXXX-8YY	15u"/0.38u MIN (SEE NOTE 8) OVER 50u"/1.27u MIN NI

NOTES:

- PART NUMBER OPTIONS:  
PIN PLATING CODES (SEE ABOVE)  
LEAD FREE:  
ADD "HLF" AT THE END OF PART NUMBER FOR LEAD FREE OPTION, NOT AVAILABLE FOR -5YY, -5YYH, -6YY, -6YYH.
- BODY MATERIAL:  
GLASS REINFORCED PCT COLOR: BLACK  
FLAME RETARDANT PER UL 94 V-0  
MAXIMUM OPERATING TEMPERATURE: 130° C  
OR  
MINERAL FILLED LCP, COLOR BLACK  
FLAME RETARDANT PER UL 94 V-0  
  
PART NUMBERS WITH "H" SUFFIX WILL WITHSTAND EXPOSURE TO 260°C PEAK TEMPERATURE FOR 20 SECONDS IN WAVE SOLDER, INFRA-RED OR VAPOR PHASE SOLDER PROCESS.  
PART NUMBERS WITHOUT "H" SUFFIX WILL WITHSTAND EXPOSURE TO 260°C PEAK TEMPERATURE FOR WAVE SOLDER PROCESS.
- PIN MATERIAL: 3/4 HARD PHOS-BRONZE.
- NO SLOTS ON 1 X 5 POSITION OR SMALLER PRODUCT. THE CENTER KEY SLOT WILL BE ON ALL HEADERS REGARDLESS OF SIZE.
- TWO NON-CRITICAL SIDES OF PIN TIP NOT PLATED, BOTH ENDS
- COMPANY LOGO MAY APPEAR IN THIS AREA.
- THESE PRODUCTS MEET EUROPEAN UNION DIRECTIVES AND OTHER COUNTRY REGULATION AS DESCRIBED IN GS-22-008.
- PLATING OPTIONS:  
PERFORMANCE PLATING WILL BE EITHER GOLD OR GXT ON CONTACT OR TAIL, OPTIONALLY (78~295u"/2~7.5u) TIN ON TAIL.
- \*THIS PRODUCT HAS 100% TIN PLATING IN THE INTERFACE AND HAS NOT BEEN TESTED FOR WHISKER GROWTH IN ALL INTERCONNECT ENVIRONMENTS.\*
- FOR POLARIZATION, SPECIFY POSITION NUMBER (i.e. A03=ROW A POSITION 03) TO OMIT PIN.  
OMIT FROM PRODUCT NUMBER IF THIS FEATURE IS NOT APPLICABLE.  
PRODUCT MANAGEMENT APPROVAL REQUIRED PRIOR TO RELEASE OR SALE OF POLARIZED PRODUCT.

( )

( )

( )

( )

A

B

C

D

A

B

C

D



FCIconnect.com

Copyright FCI

mat'l. code		surface	tolerance	projection	product family
		ISO 1302	ISO 406 ISO 1101		HEADER
l	tr	ec	n	o	d
tolerances unless otherwise specified				title	
T				FRICION LATCH HEADER	
		angles	line	SINGLE ROW VERTICAL	
		0°±2'	XXX±.01/XXX.3 XXX±.005/XXX±0.13 XXX±.0020/XXX±0.05	scale 4:1	
		dr	M.CLOUSER	11/27/90	 dwg no 69167 sheet 2 of 3 size A3
		enr	C.TREXTLER	11/27/90	
		chr	C.TREXTLER	11/27/90	
		app	C.TREXTLER	11/27/90	
sheet index	revision sheet				type Product Customer Drawing

PRODUCT NUMBER	NO OF POS	DIM K	DIM L	TAIL LENGTH DIM M
69167-X43	1 X 3	.300/7.62	.200/5.08	.190/4.83
69167-X44	1 X 4	.400/10.16	.300/7.62	.190/4.83
69167-X45	1 X 5	.500/12.70	.400/10.16	.190/4.83
69167-X46	1 X 6	.600/15.24	.500/12.70	.190/4.83
69167-X47	1 X 7	.700/17.78	.600/15.24	.190/4.83
69167-X48	1 X 8	.800/20.32	.700/17.78	.190/4.83
69167-X49	1 X 9	.900/22.86	.800/20.32	.190/4.83
69167-X50	1 X 10	1.000/25.40	.900/22.86	.190/4.83
69167-X51	1 X 11	1.100/27.94	1.000/25.40	.190/4.83
69167-X52	1 X 12	1.200/30.48	1.100/27.94	.190/4.83
69167-X53	1 X 13	1.300/33.02	1.200/30.48	.190/4.83
69167-X54	1 X 14	1.400/35.56	1.300/33.02	.190/4.83
69167-X55	1 X 15	1.500/38.10	1.400/35.56	.190/4.83
69167-X56	1 X 16	U N A	V A I L A B L E	
69167-X57	1 X 17	U N A	V A I L A B L E	
69167-X58	1 X 18	U N A	V A I L A B L E	
69167-X59	1 X 19	U N A	V A I L A B L E	
69167-X60	1 X 20	U N A	V A I L A B L E	
69167-X61	1 X 21	U N A	V A I L A B L E	
69167-X62	1 X 22	U N A	V A I L A B L E	
69167-X63	1 X 23	U N A	V A I L A B L E	
69167-X64	1 X 24	U N A	V A I L A B L E	
69167-X65	1 X 25	U N A	V A I L A B L E	
69167-X66	1 X 26	U N A	V A I L A B L E	
69167-X67	1 X 27	U N A	V A I L A B L E	
69167-X68	1 X 28	U N A	V A I L A B L E	
69167-X69	1 X 29	U N A	V A I L A B L E	
69167-X70	1 X 30	U N A	V A I L A B L E	
69167-X71	1 X 31	U N A	V A I L A B L E	
69167-X72	1 X 32	U N A	V A I L A B L E	
69167-X73	1 X 33	U N A	V A I L A B L E	
69167-X74	1 X 34	U N A	V A I L A B L E	
69167-X75	1 X 35	U N A	V A I L A B L E	
69167-X76	1 X 36	U N A	V A I L A B L E	

mat'l. code		surface ISO 1302 ✓	tolerance ISO 406 ISO 1101	projection 	product family HEADER
l	tr	ec	n	d	r
T		tolerances unless otherwise specified		title	
		angles	line	FRICION LATCH HEADER	
		0°±2'	XXX±.01/XXX.3 XXX±.005/XXX±0.13 XXX±.0020/XXX±0.05	SINGLE ROW VERTICAL	
				scale 4:1	
		dr	M.CLOUSER	11/27/90	dwg no
		enr	C.TREXTLER	11/27/90	69167
		chr	C.TREXTLER	11/27/90	shee 5 of 3
		app	C.TREXTLER	11/27/90	size A3
				type Product Customer Drawing	
sheet index	revision sheet				



Copyright FCI