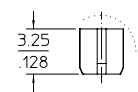
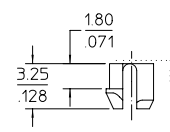
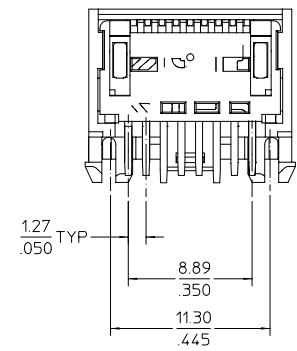
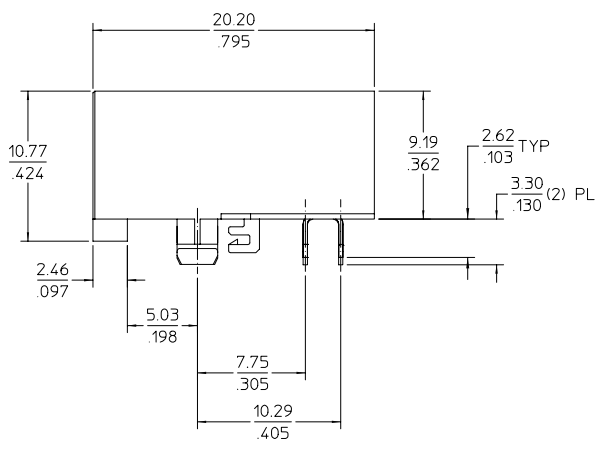
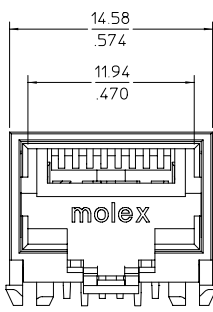
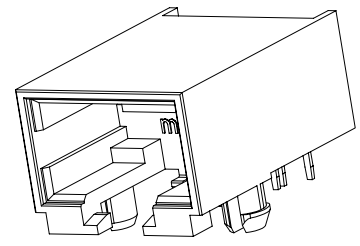


NOTES:

1. MATERIALS:
HOUSING:
NYLON(PA), GLASS FILLED, UL94V-0, COLOR: BLACK
TERMINALS:
PHOSPHOR BRONZE
2. FINISHES:
TERMINALS:
50 MICROINCHES MIN GOLD AND 50 MICROINCHES MIN TIN-LEAD OVER 50 MICROINCHES MIN NICKEL UNDERPLATE
3. PRODUCT SPECIFICATION: PS-44560-003
4. PACKAGING SPECIFICATION:
CONNECTOR PACKAGED IN TRAYS PER MOLEX PACKAGING SPECIFICATION PK-44661-004
5. CONFORMS TO FCC REGULATION PART 68.5 FOR MODULAR JACKS
6. SEE SHEET (4) OF (4) FOR RECOMMENDED PANEL OPENING AND PCB LAYOUT
7. ASSEMBLY AVAILABLE WITH EITHER SNAP-FIT OR PRESS-FIT PEGS.
THIS DRAWING SHOWS SNAP-FIT PEGS



SNAP-FIT PEG

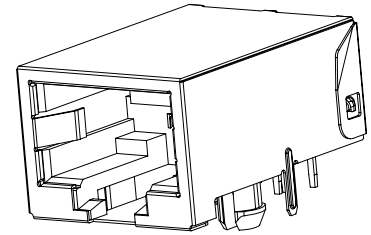
PRESS-FIT PEG

ASSEMBLY MATERIAL NUMBER	PEG STYLE
446610002	SNAP-FIT
446611002	PRESS-FIT

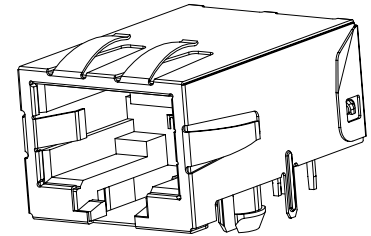
EC NO: UCP2003-0502 DRWN: MKAMAR002/09/25 CHKD: MKAMARA002/09/30 APPR: BWRKUS, 2002/10/01	QUALITY SYMBOLS	GENERAL TOLERANCES (UNLESS SPECIFIED)	SCALE 4:1	DESIGN UNITS INCH	THIRD ANGLE PROJECTION	REVISE ON CAD ONLY	
	-0 +0	4 PLACES ± --- ± --- 3 PLACES ± --- ± .012 2 PLACES ± 0.30 ± --- 1 PLACE ± --- ± ---	mm INCH DIMENSION STYLE MM/IN	TITLE		COMPACT SINGLE PORT CATEGORY 5 MODJACK	
		DRAFT WHERE APPLICABLE MUST REMAIN WITHIN DIMENSIONS		DRAWN BY MKAMAR DATE 00/04/07 CHECKED BY MKAMAR DATE 00/04/07	MOLEX INCORPORATED		
		THIS DRAWING CONTAINS INFORMATION THAT IS PROPRIETARY TO MOLEX INCORPORATED AND SHOULD NOT BE USED WITHOUT WRITTEN PERMISSION		APPROVED BY JROBERTS DATE 00/04/07	MATERIAL NO. SEE CHART DOCUMENT NO. SD-44661-001	SHEET NO. 1 OF 4	

NOTES:

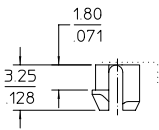
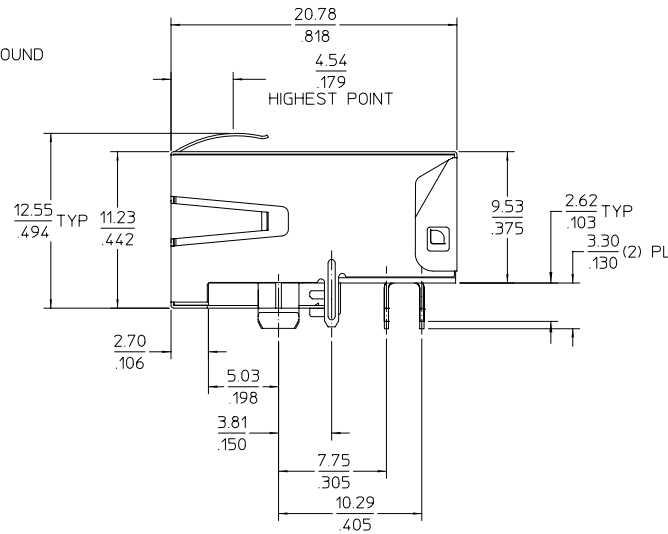
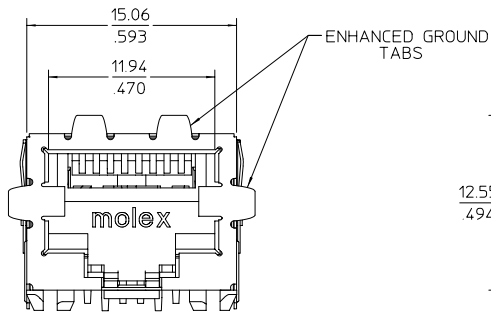
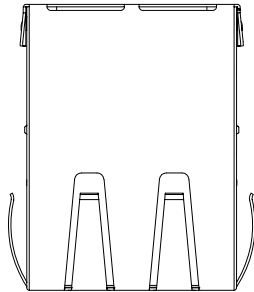
1. MATERIALS:
HOUSING:
NYLON(PA), GLASS FILLED, UL94V-0, COLOR: BLACK
TERMINALS:
PHOSPHOR BRONZE
SHIELD:
TIN/LEAD PLATED BRASS
2. FINISHES:
TERMINALS:
50 MICROINCHES MIN GOLD AND 50 MICROINCHES MIN TIN-LEAD OVER 50 MICROINCHES MIN NICKEL UNDERPLATE
3. PRODUCT SPECIFICATION: PS-44560-003
4. PACKAGING SPECIFICATION:
CONNECTOR PACKAGED IN TRAYS PER MOLEX PACKAGING SPECIFICATION PK-44661-004
5. CONFORMS TO FCC REGULATION PART 68.5 FOR MODULAR JACKS
6. ENHANCED GROUND TABS SHIELD (OPTION -B-) IS SHOWN IN THIS DRAWING
7. SEE SHEET (4) OF (4) FOR RECOMMENDED PANEL OPENING AND PCB LAYOUT
8. ASSEMBLY AVAILABLE WITH EITHER SNAP-FIT OR PRESS-FIT PEGS. THIS DRAWING SHOWS SNAP-FIT PEGS



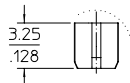
SHIELDING OPTION -A-
STANDARD SHIELD



SHIELDING OPTION -B-
ENHANCED GROUND TABS



SNAP-FIT PEG

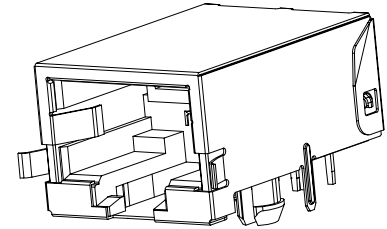


PRESS-FIT PEG

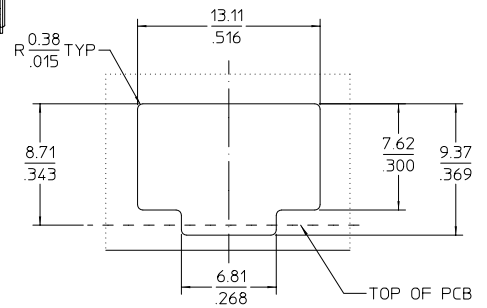
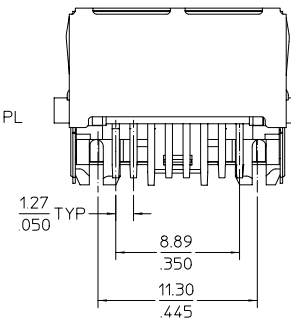
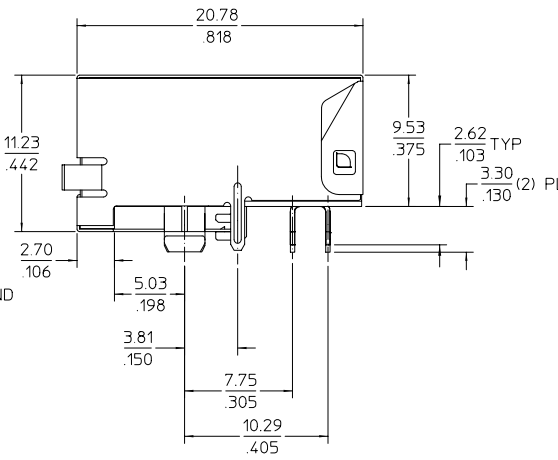
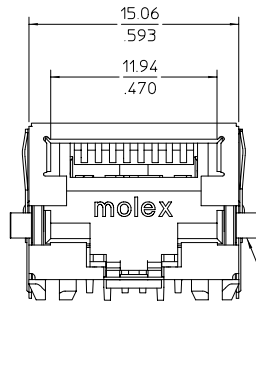
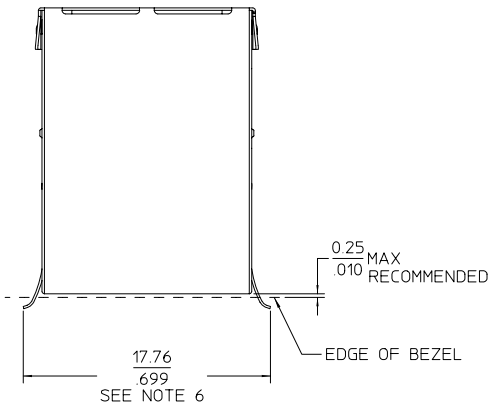
ASSEMBLY MATERIAL NUMBER	PEG STYLE	SHIELDING OPTION
446610001	SNAP-FIT	A
446610011	SANP-FIT	B
446611001	PRESS-FIT	A
446611011	PRESS-FIT	B

EC NO: UCP2003-0502 DRWN: MKAMAR002/09/25 CHKD: MKAMAR002/09/30 APPR: BWRKUS, 2002/10/01 REV: B1	QUALITY SYMBOLS ▽ - 0 ▽ < 0	GENERAL TOLERANCES (UNLESS SPECIFIED) 4 PLACES ± --- ± --- 3 PLACES ± --- ± .012 2 PLACES ± 0.30 ± --- 1 PLACE ± --- ± --- ANGULAR ± 1/2° DRAFT WHERE APPLICABLE MUST REMAIN WITHIN DIMENSIONS	SCALE 4:1 DESIGN UNITS INCH DIMENSION STYLE MM/IN DRAWN BY MKAMAR DATE 00/04/07 CHECKED BY MKAMAR DATE 00/04/07 APPROVED BY JROBERTS DATE 00/04/07 THIS DRAWING CONTAINS INFORMATION THAT IS PROPRIETARY TO MOLEX INCORPORATED AND SHOULD NOT BE USED WITHOUT WRITTEN PERMISSION	THIRD ANGLE PROJECTION REVISE ON CAD ONLY TITLE COMPACT SINGLE PORT CATEGORY 5 MODJACK MOLEX INCORPORATED DOCUMENT NO. SD-44661-001 SHEET NO. 2 OF 4
--	-----------------------------------	---	--	--

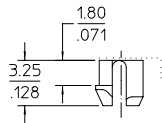
- NOTES:
- MATERIALS:
HOUSING: NYLON(PA), GLASS FILLED, UL94V-0, COLOR: BLACK
TERMINALS: PHOSPHOR BRONZE
SHIELD: TIN/LEAD PLATED BRASS
 - FINISHES:
TERMINALS: 50 MICROINCHES MIN GOLD AND 50 MICROINCHES MIN TIN-LEAD OVER 50 MICROINCHES MIN NICKEL UNDERPLATE
 - PRODUCT SPECIFICATION: PS-44560-003
 - PACKAGING SPECIFICATION:
CONNECTOR PACKAGED IN TRAYS PER MOLEX PACKAGING SPECIFICATION PK-44661-004
 - CONFORMS TO FCC REGULATION PART 68.5 FOR MODULAR JACKS
 - THIS DIMENSION HAS A MAXIMUM OF 20.45/0.805 WHEN THE JACK IS INSTALLED BEHIND THE BEZEL
 - SEE SHEET (4) OF (4) FOR PCB LAYOUT
 - ASSEMBLY AVAILABLE WITH EITHER SNAP-FIT OR PRESS-FIT PEGS. THIS DRAWING SHOWS SNAP-FIT PEGS



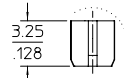
SHIELDING OPTION -C-
BEZEL GROUND TABS



RECOMMENDED
PANEL OPENING
FOR PMC BEZEL ONLY



SNAP-FIT PEG

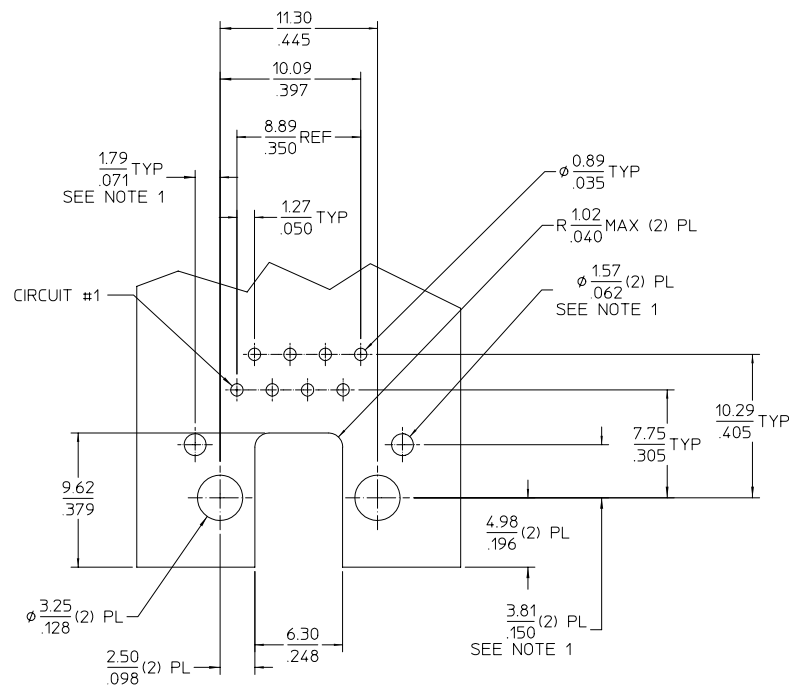
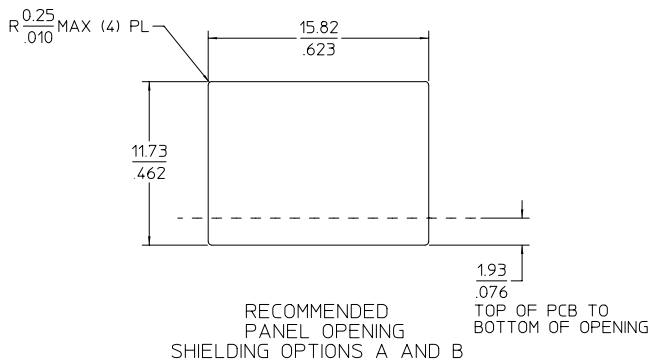


PRESS-FIT PEG

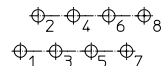


ASSEMBLY MATERIAL NUMBER	PEG STYLE
446610021	SNAP-FIT
446611021	PRESS-FIT

EC NO: UCP2003-0502 DRWN: MKAMAR0002/09/25 CHKD: MKAMAR0002/09/30 APPR: BWIRKUS, 2002/10/01 REV: B1	QUALITY SYMBOLS	GENERAL TOLERANCES (UNLESS SPECIFIED)	SCALE 4:1	DESIGN UNITS INCH	THIRD ANGLE PROJECTION	REVISE ON CAD ONLY
	-0 +0	mm INCH	DIMENSION STYLE MM/IN	TITLE		
		4 PLACES ± --- ± ---	DRAWN BY MKAMAR DATE 00/04/07	COMPACT SINGLE PORT CATEGORY 5 MODJACK		
		3 PLACES ± --- ± 0.12	CHECKED BY MKAMAR DATE 00/04/07	MOLEX INCORPORATED		
	2 PLACES ± 0.30 ± ---	APPROVED BY JROBERTS DATE 00/04/07	MATERIAL NO. SEE CHART	DOCUMENT NO. SD-44661-001	SHEET NO. 3 OF 4	
	1 PLACE ± --- ± ---	DRAFT WHERE APPLICABLE MUST REMAIN WITHIN DIMENSIONS		THIS DRAWING CONTAINS INFORMATION THAT IS PROPRIETARY TO MOLEX INCORPORATED AND SHOULD NOT BE USED WITHOUT WRITTEN PERMISSION		



PCB LAYOUT : COMPONENT SIDE
 RECOMMENDED PCB THICKNESS (SNAP-FIT PEG) : 1.57/0.62
 TOLERANCE ±.076/0.003 UNLESS OTHERWISE SPECIFIED



NOTES:

1. DIMENSIONS REFER TO ASSEMBLIES WITH SHIELDING OPTION

EC NO: UCP2003-0507 DRWN:MKAMARA002/09/25 CHKD:MKAMARA002/09/30 APPR:BWIRKUS , 2002/10/01	QUALITY SYMBOLS	GENERAL TOLERANCES (UNLESS SPECIFIED)		SCALE 4:1	DESIGN UNITS INCH	THIRD ANGLE PROJECTION	REVISE ON CAD ONLY	
	-0 0	DESCRIPTION	mm	INCH	DIMENSION STYLE MM/IN		TITLE COMPACT SINGLE PORT CATEGORY 5 MODJACK	
		4 PLACES ± --- ± --- 3 PLACES ± --- ± .012 2 PLACES ± 0.30 ± --- 1 PLACE ± --- ± ---	DRAWN BY MKAMAR DATE 00/04/07 CHECKED BY MKAMAR DATE 00/04/07					
B1	REVISION	DRAFT WHERE APPLICABLE MUST REMAIN WITHIN DIMENSIONS		APPROVED BY JROBERTS DATE 00/04/07	MATERIAL NO. N/A	DOCUMENT NO. SD-44661-001	SHEET NO. 4 OF 4	
				THIS DRAWING CONTAINS INFORMATION THAT IS PROPRIETARY TO MOLEX INCORPORATED AND SHOULD NOT BE USED WITHOUT WRITTEN PERMISSION				

Datasheet

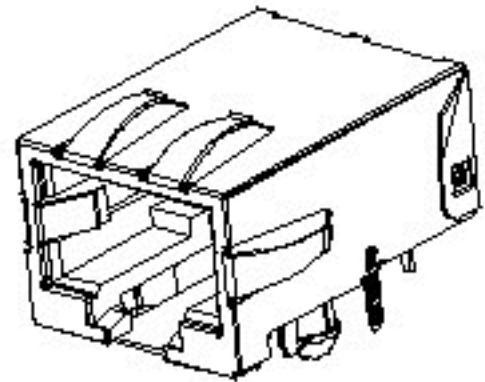
Modular Plugs and Jacks

Modular Jack, High Speed, Compact Profile, Shielded and Unshielded 44661

[[Home](#) > [Products](#) > [Modular Plugs and Jacks](#) > Datasheet]

[Help](#)

Status	Active
Component	PCB Jack
Ports	1
Positions / Loaded	8/8
Performance Category	5E
Entry	Right Angle (Side Entry)
Shielded	Yes, No
Inverted / Top Latch	No
Profile	Low
PCB Mounting	Through Hole
Surface Mount Compatible (SMC)	Yes
PCB Retention	Press-fit Plastic Peg, Snap-in Plastic Peg
PCB Thickness	1.57mm (.062")
Lightpipes	No
Keying to Mating Part	None
Panel Stops	No
Packaging	Tray
Mates With	FCC 68 Plugs
Designed In	Inches
Current-max [amps]	1.5A
Voltage-max [volts]	150V
Contact Resistance [ohms]	20 milliohms max.
Withstanding Voltage	1000V AC
Insulation Resistance [ohms]	500 Megohms min.
Durability [mating cycles] min.	500



Features and Benefits

- Low profile conforms to Compact PCI, Eurocard and Common Mezzanine Card standards
- Exceeds Category 5 performance
- Meets Gigabit Ethernet industry standard
- Tabs on shield provide enhanced grounding to panel
- Surface Mount Compatible

Housing - Material	Nylon, Glass-filled
Color	Black
Flammability	UL 94V-0
Contact	Phosphor Bronze
Plating Contact	1.27µm (50µ") Gold (Au)
Plating Tail	0.50µm (20µ") Tin/Lead (Sn/Pb) over Nickel (Ni)
Under Plating	Nickel (Ni)
Temperature Range	-40°C to +70°C
Universal Service Order Code	RJ45
Product Specification	PS-44560-003
Comment	Enhanced panel grounding tabs
Molex Series	44661

[E-mail this page to a friend](#)

[© Copyright 2002 Molex Incorporated]