

SPECIFICATIONS

Mechanical

Contact Mating Force: 1000gf max.
Contact Unmating Force: 200gf min.
Durability: 5000 Cycles

Electrical

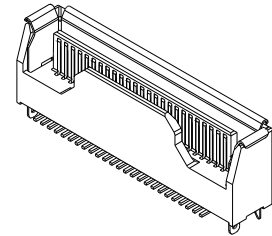
Current Rating: 0.5A max.
Contact Resistance: 70mW max.
Insulation Resistance: 500MW min. (Initial)
Dielectric Withstanding Voltage: 250 V AC RMS

Physical

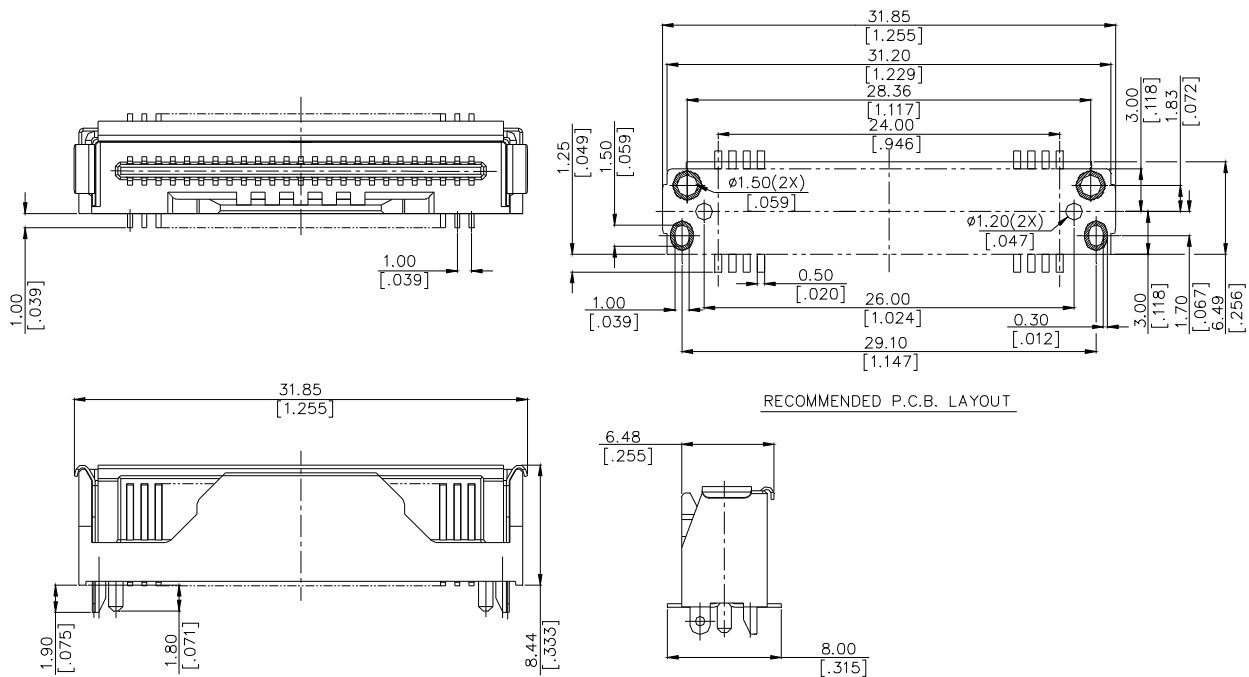
Housing: LCP, UL 94V-0 rated in Black Color
Contact: Phosphor Bronze
Operating Temperature: -55°C to +85°C

Media Bay connector

QL*-A6 Series
1.00 mm [0.039"] Pitch



DRAWING



ORDERING INFORMATION

PRODUCT NO.: QL00253-A604

