



# 10/100/1000 BASE-T DUAL PORT SURFACE MOUNT MAGNETICS

- Meets IEEE 802.3af & ANSI X 3.263
- Surface mount, open header construction
- Many parts are PoE enabled
- Standard operating temp: 0°C to +70°C (see footnote)
- Industrial operating temp: -40°C to +85°C (see footnote)

## Electrical Specifications @25°C

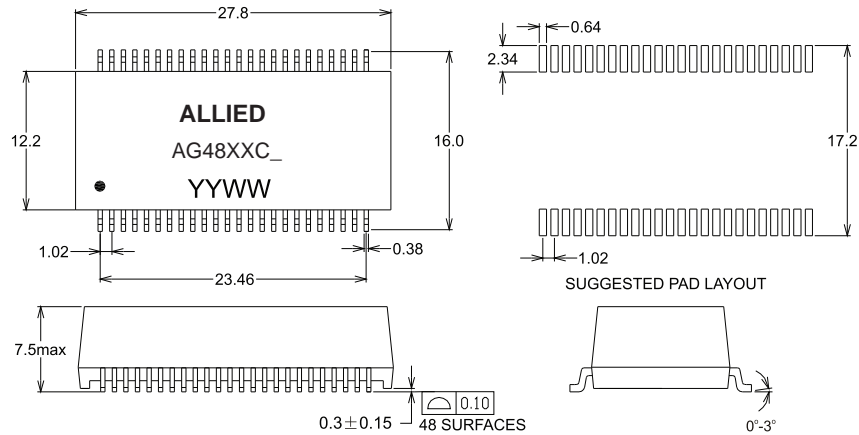
Part Number	OCL(uH Min) @100KHz,0.2V With 8mA DC Bias	Turns Ratio (±3%)	Insertion Loss (dB Max)		Return Loss (dB Min)		Cross talk (dB Min)		CMMRR (dB Min) 0.5-100MHz	HI-POT (Vrms)
			0.5-100MHz	0.5-40MHz	40.1-100MHz	0.5-40MHz	40.1-100MHz			
AG4801C_	350	1CT:1CT	1.1	18	12-20*log(f/80)	35	33-20*log(f/50)	30	1500	
AG4802C_	350	1CT:1CT	1.1	18	12-20*log(f/80)	35	33-20*log(f/50)	30	1500	
AG4803C_	350	1CT:1CT	1.1	18	12-20*log(f/80)	35	33-20*log(f/50)	30	1500	
AG4804C_	350	1CT:1CT	1.1	18	12-20*log(f/80)	35	33-20*log(f/50)	30	1500	
AG4805C_	350	1CT:1CT	1.1	18	12-20*log(f/80)	35	33-20*log(f/50)	30	1500	
AG4809C_	350	1CT:1CT	1.1	18	12-20*log(f/80)	35	33-20*log(f/50)	30	1500	

\*Complete part number by inserting "S" for Standard Temp or "I" for Industrial Temp.

All specifications subject to change without notice.

## MECHANICAL

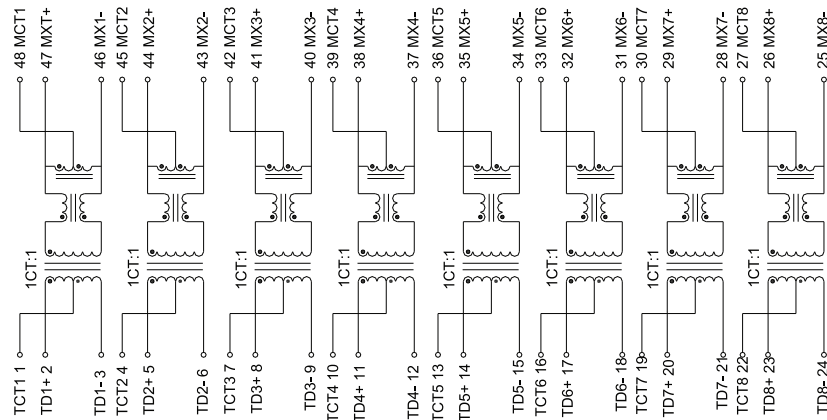
AG4801C\_, AG4802C\_, AG4803C\_, AG4804C\_, AG4805C\_, AG4809C\_



Unless otherwise specified all tolerances are: ±0.25 in mm

## SCHEMATICS

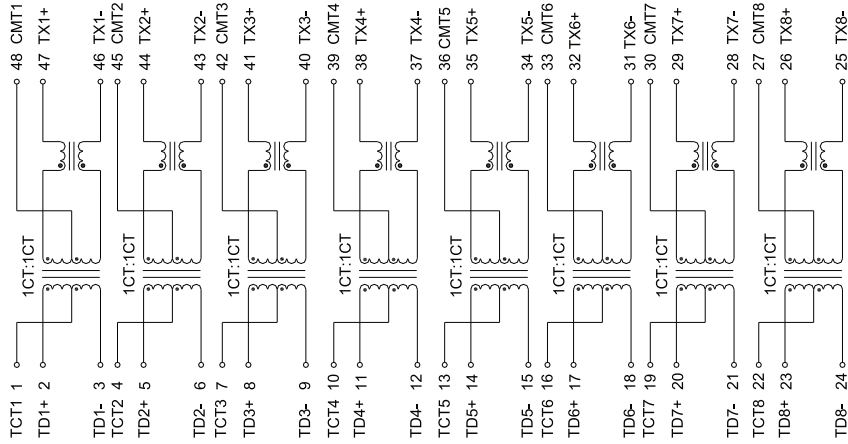
AG4801C\_, AG4809C\_



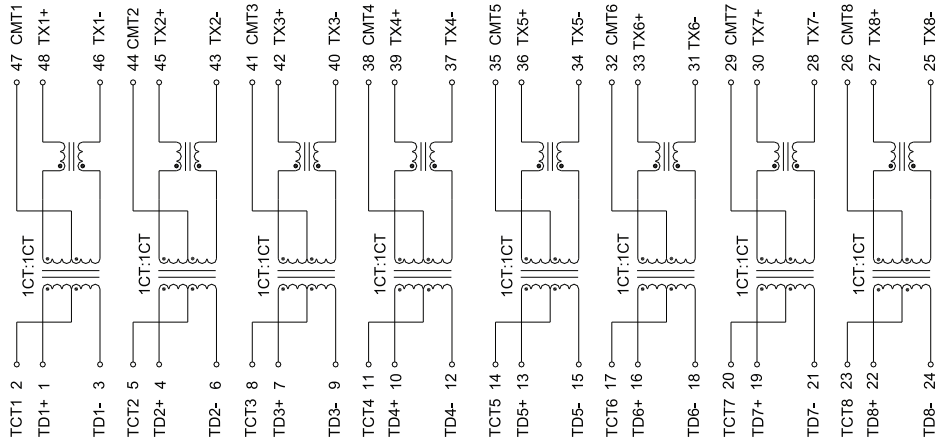


10/100/1000 BASE-T DUAL PORT SURFACE MOUNT MAGNETICS

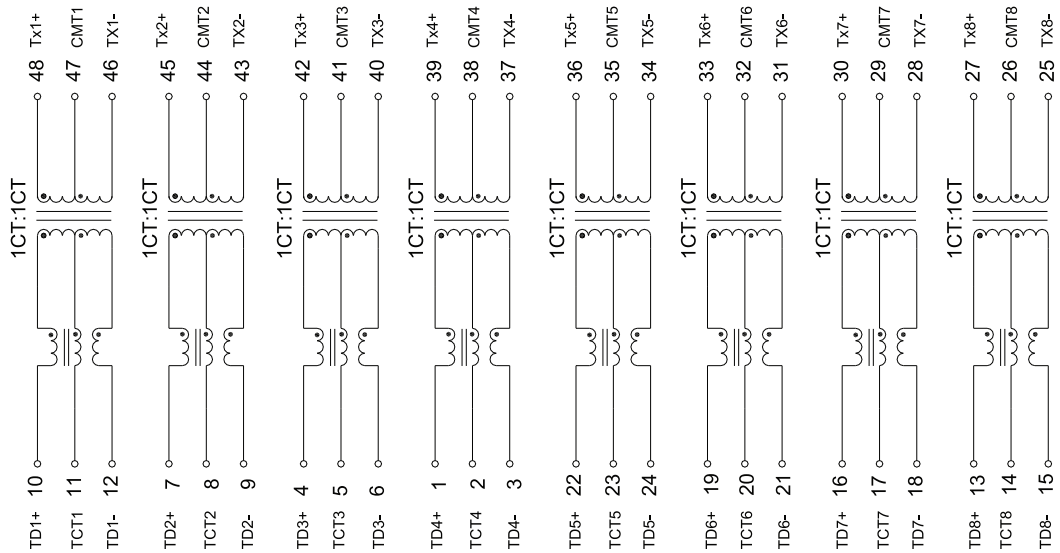
AG4802C



AG4803C



AG4804C





10/100/1000 BASE-T DUAL PORT SURFACE MOUNT MAGNETICS

AG4805C\_

