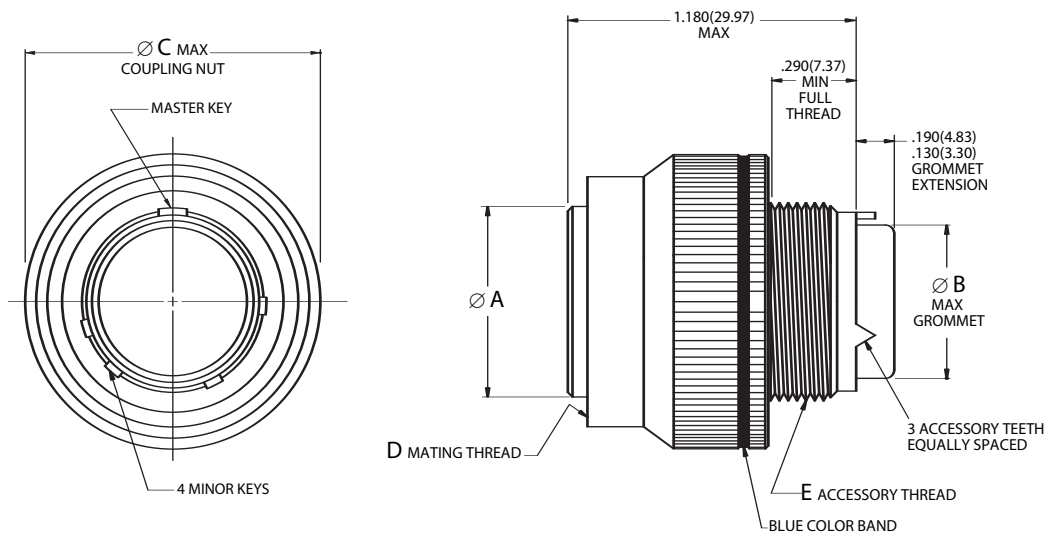


M83723/95, 96
Self-Locking Plug
AE83395, 96



Threaded Coupling, Crimp Removable, Rear Release



Page 93	Completed Part Number
Page 104	Contacts, Sealing Plugs and Tools
Pages 107, 108	Insert Arrangements
Page 87	Performance Specifications
Page 106	Insert Availability and Contact Information
Page 102	Polarization

MIL-DTL-83723 S III

Shell Size	Ø A		Ø B		Ø C		D	E
	+0.05	+1.3	Maximum		Maximum		Mating Thread	Accessory Thread
	-.004	-.10	inch	mm	inch	mm	Class 2B	Class 2A
8	.400	10.16	.305	7.75	.832	21.13	9/16-24UNEF	1/2-20UNF
10	.521	13.23	.405	10.29	.959	24.36	11/16-24UNEF	5/8-24UNEF
12	.691	17.55	.531	13.49	1.097	27.86	7/8-20UNEF	3/4-20UNEF
14	.760	19.30	.665	16.89	1.236	31.39	15/16-20UNEF	7/8-20UNEF
16	.887	22.53	.790	20.07	1.360	34.54	1-1/16-18UNEF	1-20UNEF
18	.993	25.22	.869	22.07	1.473	37.41	1-3/16-18UNEF	1-1/16-18UNEF
20	1.118	28.40	.994	25.25	1.586	40.28	1-5/16-18UNEF	1-3/16-18UNEF
22	1.243	31.57	1.119	28.42	1.703	43.26	1-7/16-18UNEF	1-5/16-18UNEF
24	1.368	34.75	1.244	31.60	1.846	46.89	1-9/16-18UNEF	1-7/16-18UNEF
28	1.618	41.10	1.475	37.47	2.278	57.86	1-13/16-16UN	1-3/4-18UNS