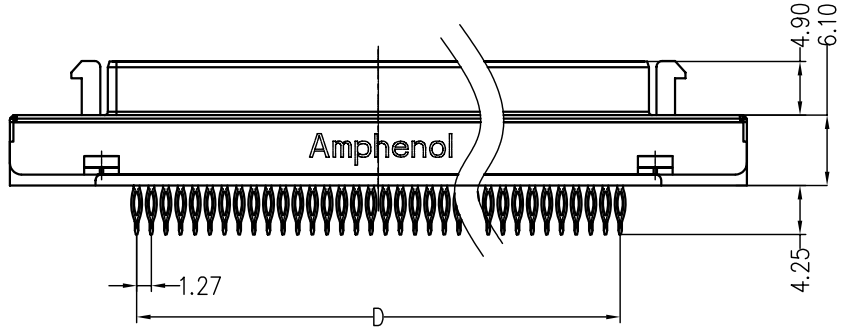
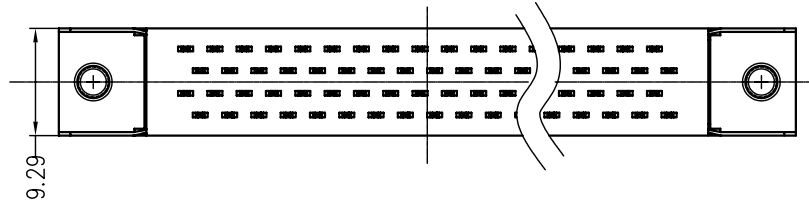
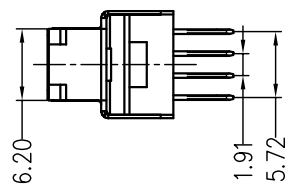
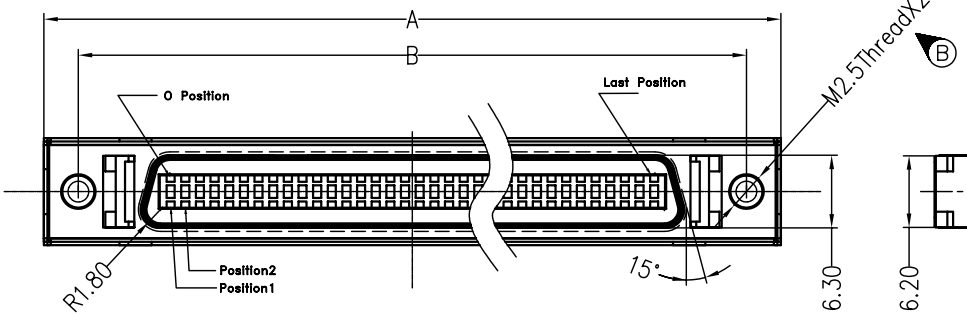
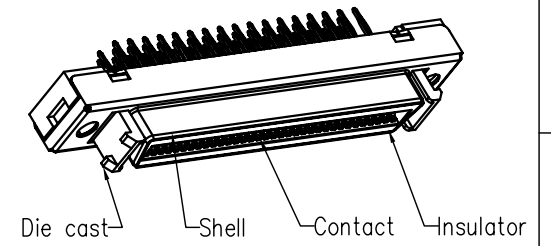
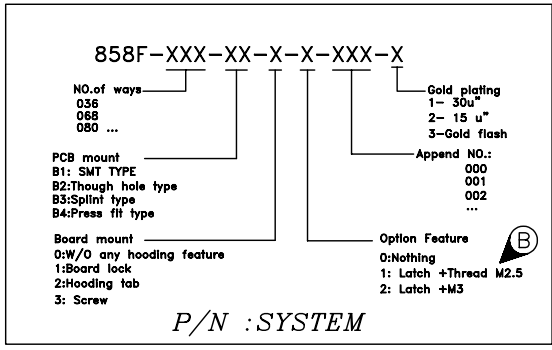
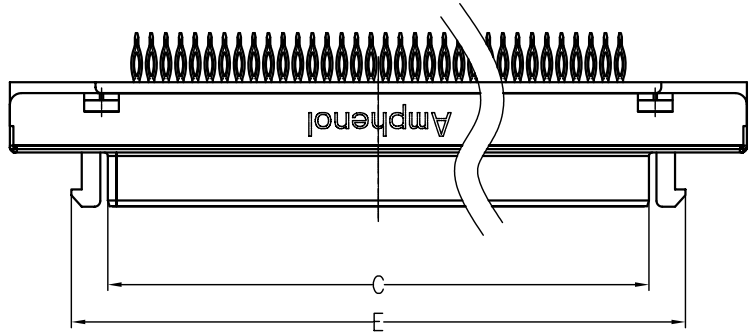


Customer Information Drawing

This document is the property of Amphenol Corporation and is delivered on the express condition that it is not to be disclosed, reproduced or used, in whole or in part, for manufacture or sale by anyone other than Amphenol Corporation without its prior consent, & that no right is granted to disclose or to use any information in this document.

REVISIONS				
SYM	ECN	DESCRIPTION	DATE	APPROVED
A	HK3806	First Release	04/17.06	IP
B	HK3924	change part number system.	07/15.06	IP
C	HK4102	change body housing material from PBT to PPA.	11/15.06	IP



Contact Quantity	Dimensions						
	A	B	C	D	E	F	G
36	43.50	37.60	26.60	21.59	33.50	33.90	37.61
68	63.80	57.90	46.90	41.91	53.80	54.20	57.93
80	71.50	65.60	54.50	49.53	61.50	61.90	65.55

UNLESS OTHERWISE SPECIFIED TOLERANCES U.S. METRIC .X +/- 0.50 .XX +/- 0.25 .XXX +/- 0.15 FRACTIONS +/- / ANGLES +/- 5°	APPROVAL	DATE
	DRAWN Peter.zhao	11/15.06
	CHECKED	
	CHECKED	
FOR MATERIALS AND FINISHES SEE NOTES	DRAWING FILE : DRAWING\858\C858-FXXX-B401-002X.DWG	
REMOVE SHARP EDGES	ANGLE OF PROJECTION	
DIMENSIONS		
U.S. INCHES		
METRIC MM		

Amphenol

TITLE 858 Receptacle Connector, 1.27mm PRESS FIT (Die cast),

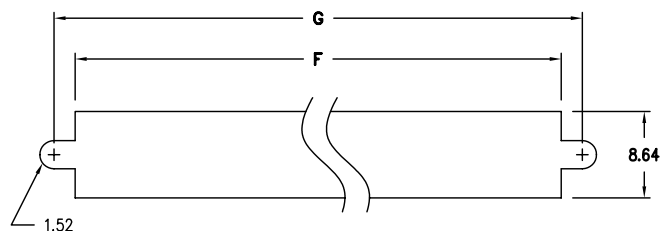
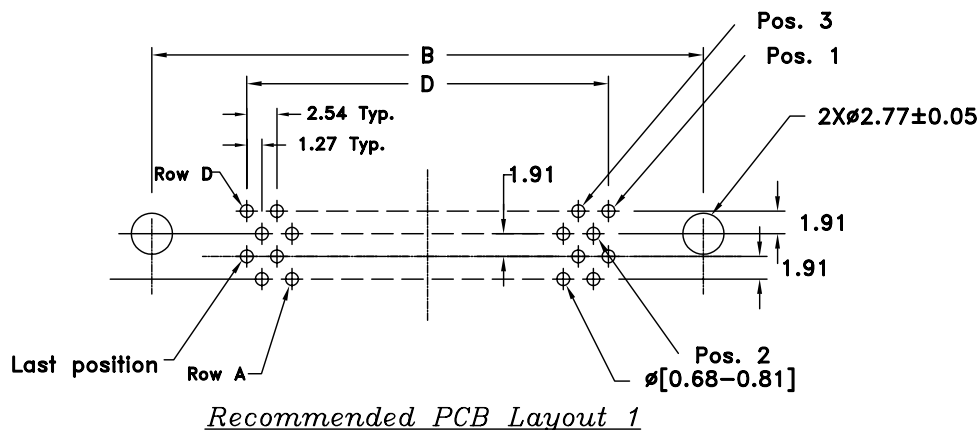
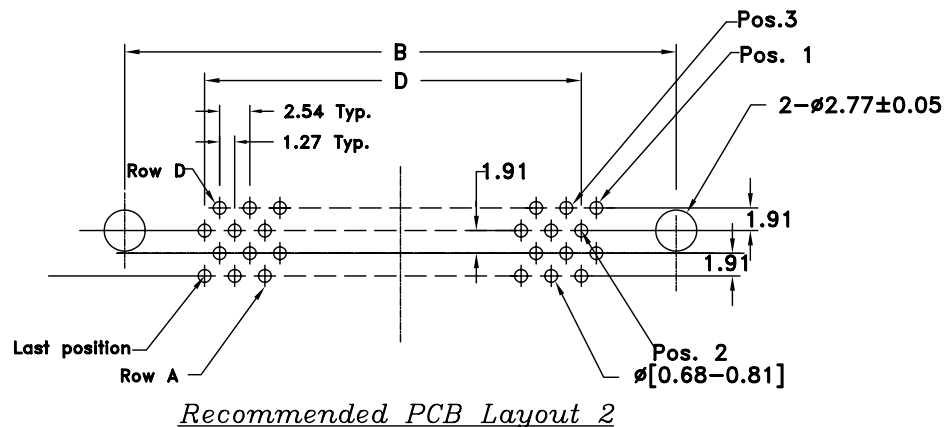
SIZE A3 DRAWING NO. C858-FXXX-B401-002X REV. C

SCALE NONE SHEET 1 OF 2

This document is the property of Amphenol Corporation and is delivered on the express condition that it is not to be disclosed, reproduced or used, in whole or in part, for manufacture or sale by anyone other than Amphenol Corporation without its prior consent, & that no right is granted to disclose or to use any information in this document.

Customer Information Drawing

REVISIONS				
SYM	ECN	DESCRIPTION	DATE	APPROVED
A	HK3806	First Release	04/17/06	IP
B	HK3924	change part number system.	07/15/06	IP
C	HK4102	change body housing material from PBT to PPA.	11/15/06	IP



Note: Panel thickness 2.00 mm MAX.

Note:

- All dimensions are in mm.
- Materials
 - Contact: Phosphor Bronze,
 - Gold plated on mating area, thickness refer to P/N system.
 - 2.54 MIN. pure matte Tin plated on termination area
 - 1.27 MIN. Nickel underplated
 - Shell: Cold Roll Steel,
 - 5.08 MIN. Nickel plated.
 - Insulator: PPA, color black, UL94V-0 rated.
 - Plate: PBT, color black, UL94V-0 rated.
 - Die Cast: ZN alloy.
 - 1.27-3.81μm Nickel plated with copper underplated 4μm MIN.
- Mechanical Characteristics
 - Durability: 500 cycles min. for 0.76μm gold
 - 250 cycles min. for 0.38μm
 - 50 cycles min. for gold flash
 - Contact Retention Force 4.4 N min. per contact with insulator
 - Mating force: 1.22 N Max/contact (total 9.8 kgf approx.)
 - Unmating force: 0.20 N Max/contact (total 5 kgf approx.)
 - Insertion force for press fit: 147N/pin MAX.
- Electrical Characteristics
 - Contact Rating: 1 A Max.
 - Contact Resistance: 35 mΩ Max.
 - Insulation Resistance: 1000 MΩ Min. at 500 VDC
 - Operation Temperature: -55°C to 75°C
 - Dielectric Strength: 500 VAC
- Suitable for PCB with a nominal thickness of 2.40mm to 3.18mm.
- Material should be fulfilled Amphenol Spec.# SSN002.

UNLESS OTHERWISE SPECIFIED TOLERANCES		APPROVAL		DATE		Amphenol	
U.S. METRIC		DRAWN Peter.zhao		11/15/06			
.X +/-	0.50	CHECKED				TITLE 858 Receptacle Connector, 1.27mm PRESS FIT (Die cast),	
.XX +/-	0.25	CHECKED					
.XXX +/-	0.15	DRAWING FILE :		\DRAWING\858\C858-FXXX-B401-002X.DWG		SIZE A3	
FRACTIONS +/-	5'	REMOVE SHARP EDGES		ANGLE OF PROJECTION			
FOR MATERIALS AND FINISHES SEE NOTES		DIMENSIONS		U.S. INCHES		DRAWING NO. C858-FXXX-B401-002X	
		U.S. INCHES		METRIC MM		REV. C	
		SCALE		NONE		SHEET 2 OF 2	