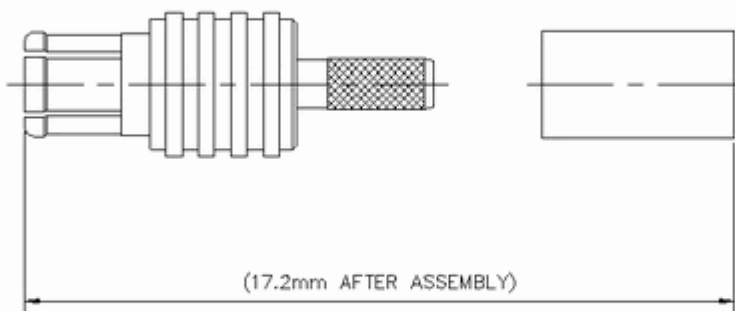


100-PMC-CR

Connector, MCX Male, Plated, Solder Inner Contact attachment, Crimp Outer Contact Attachment, for Cinta CNT-100 Series Braided Cable



CONNECTOR ASSEMBLY
100MCX-CR

CHARACTERISTICS

Interface type MCX Male
Interface mates to MCX Female

Electrical

Recommended maximum operating frequency, GHz	6.00	Connector Limited
Inner contact resistance, milliohms (Outer)	5.00 (2.50)	
Connector impedance, Ohms	50.00	
Cable impedance, Ohms	50.00	
Insertion loss, max, dB	0.05	$\sqrt{\text{frequency(GHz)}}$
Connector Return Loss, dB		
	<u>Start</u> 0.00	<u>Stop</u> 3.00 GHz
		<u>Return Loss</u> 25.00

Mechanical

Inner attachment method	Solder
Outer attachment method	Crimp
Pressurizable	No

Environmental

Operating temperature range, °C	-40.00°C - 85.00°C
Storage temperature range, °C	-40.00°C - 85.00°C

Components

Customer Support Center:

From North America: 1-800-255-1479
International: +1-708-873-2307

www.andrew.com

This Specification Sheet is for reference only and is subject to change without notice.
Copyright © 2004 Andrew Corporation
15 April 2004

100-PMC-CR

**Connector, MCX Male, Plated, Solder Inner Contact attachment,
Crimp Outer Contact Attachment, for Cinta CNT-100 Series
Braided Cable**

Customer Support Center:

From North America: 1-800-255-1479

International: +1-708-873-2307

www.andrew.com

This Specification Sheet is for reference only and is subject to change without notice.

Copyright © 2004 Andrew Corporation

15 April 2004