

## DSL Magnetics

### EP-7 Through-Hole Inductors

TM00330

- Designed with two well balanced and coupled windings for use in ADSL applications where filtering is required
- Operating temperature range: -40° C to +85° C
- Meets IEC 695, 2-2 flammability requirements
- PWB Process Capability: standard printed wiring board assembly techniques, total-immersion cleaning
- Reliability testing: shock, vibration, temperature cycling, temperature - humidity - bias

#### ELECTRICAL SPECIFICATIONS AT 25° C

Part Number	Turns Ratio ± 2%	Inductance		DCR Ω max		Dielectric Rating <sup>2</sup>
	(1-2) : (3-4)	(1-2)	(1-4) <sup>4</sup>	(1-2)	(3-4)	between (1-2) & (3-4)
0560-6600-51	1 : 1 <sup>1</sup>	82 - 94 μH <sup>1</sup>	325 - 375 μH <sup>1</sup>	0.600	0.600	1500
0560-6600-53	1 : 1 <sup>3</sup>	468 - 540 μH <sup>3</sup>	1.87 - 2.15 mH <sup>3</sup>	2.3	2.3	1500

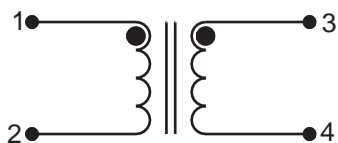
1. measured at 100 kHz, 0.1 Vrms
2. measured at 50 Hz or 60 Hz
3. measured at 10 kHz, 0.1 Vrms
4. connect terminals 2 to 3

Part Number	Turns Ratio	Inductance <sup>1</sup> mH		DCR Ω max		Dielectric Rating <sup>3</sup> Vac min
	(1-3) : (4-6)	(1-3)	(1-6) <sup>2</sup>	(1-3)	(4-6)	between 1 & core
0560-6100-20	1 : 1	0.50 (± 4%)	2.0 (± 4%)	1.65	1.65	600

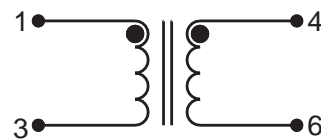
1. measured at 10 kHz, 0.1 Vrms
2. connect terminals 3 to 4
3. connect terminals 3 to 6

#### SCHEMATIC

**0560-6600-51**  
**0560-6600-53**



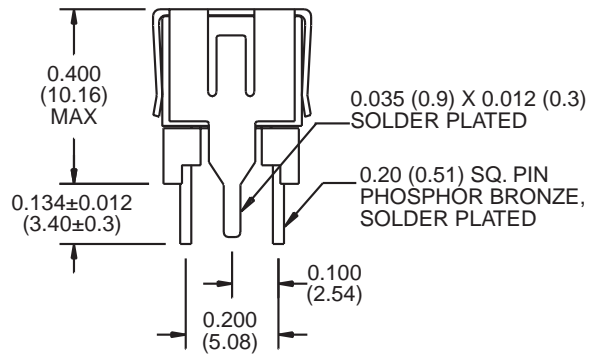
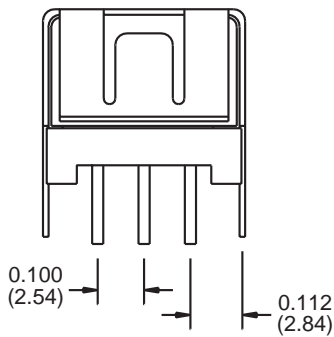
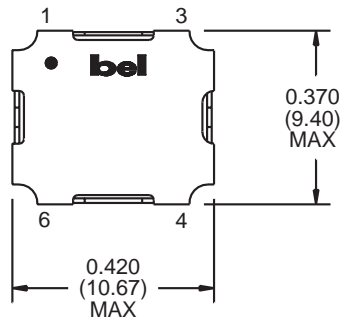
**0560-6100-20**



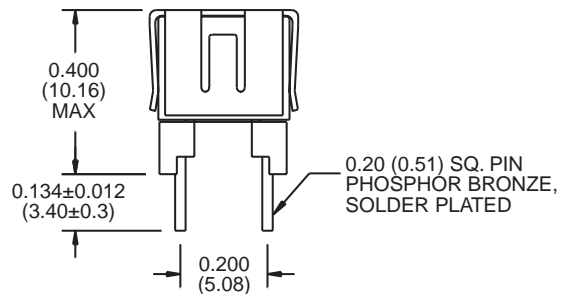
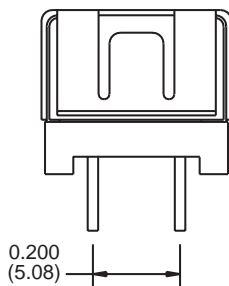
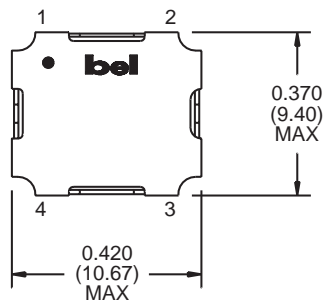
TM00330

### MECHANICAL

0560-6100-20



0560-6600-51  
0560-6600-53



©2000 Bel Fuse Inc. Specifications subject to change without notice. 07.00

### CORPORATE

**Bel Fuse Inc.**  
198 Van Vorst Street  
Jersey City, NJ 07302  
Tel 201-432-0463  
Fax 201-432-9542  
www.belfuse.com

### FAR EAST

**Bel Fuse Ltd.**  
8F / 8 Luk Hop Street  
San Po Kong  
Kowloon, Hong Kong  
Tel 852-2328-5515  
Fax 852-2352-3706  
www.belfuse.com

### EUROPE

**Bel Fuse Europe Ltd.**  
Preston Technology Management Centre  
Marsh Lane, Suite G7, Preston  
Lancashire, PR1 8UD, U.K.  
Tel 44-1772-556601  
Fax 44-1772-888366  
www.belfuse.com