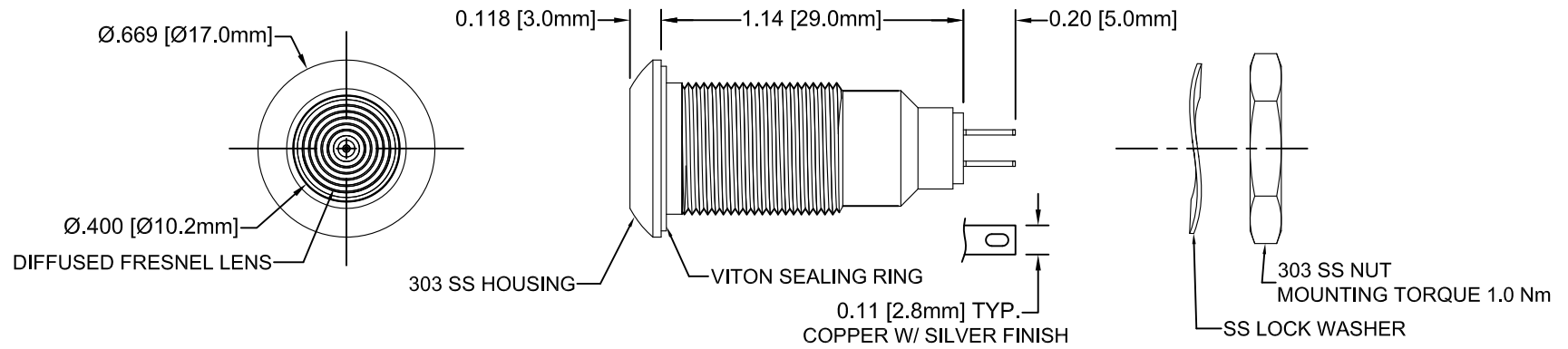
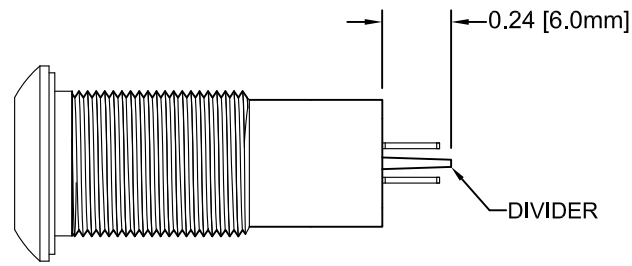
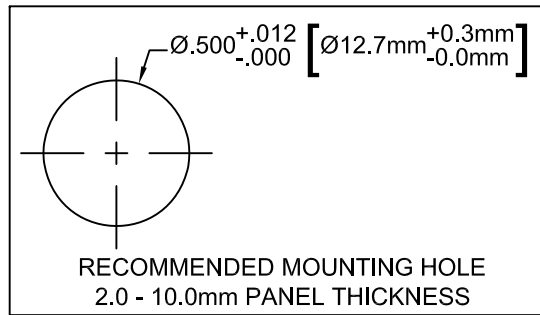


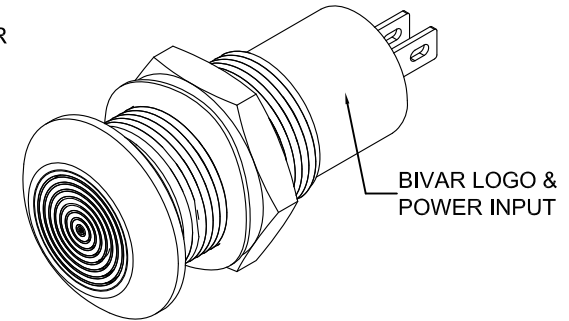
REV.	DESCRIPTION	DATE	APPROVED
B	Engineering Release	07/28/11	T. Y.



BELOW 50VAC/DC ASSEMBLY



ABOVE 50VAC/DC ASSEMBLY



NOTES:

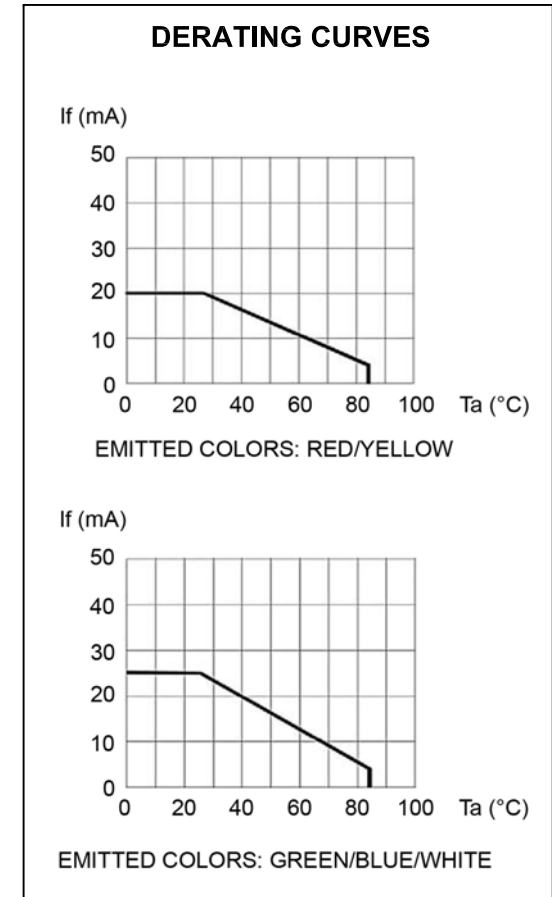
1. SEALED TO IP67 RATING
2. WIDE RANGE VOLTAGE INPUT
3. BI-POLAR OPERATION
4. ROHS COMPLIANT
5. MOUNTING HARDWARE SHIPPED NON-ASSEMBLED
6. INSERT VITON RING ON PANEL MOUNT ASSEMBLY PRIOR TO PANEL INSTALLATION

STANDARD TOLERANCE ( UNLESS OTHERWISE SPECIFIED )		BIVAR®	
DECIMALS	ANGULAR	4 THOMAS, IRVINE, CA. 92618	
.X ± .1	X° ± 1°	TEL: (949) 951-8808 FAX: (949) 951-3974	
.XX ± .02		TITLE: WATER TIGHT PANEL MOUNT LED ASSEMBLY, 12.7MM MOUNTING	
.XXX ± .010		PART NO: PM5-S17XXX	
DESIGNED: <b>Raffy Paje</b>	DATE: <b>02/23/11</b>	REVISION: <b>B</b>	
CHECKED: <b>T. Yin</b>	DATE: <b>02/23/11</b>	CAGE CODE : 32559	SHEET # 1 OF 2
CAD GENERATED DOCUMENT, DO NOT MEASURE DRAWING.			

REV.	DESCRIPTION	DATE	APPROVED
	SEE SHEET #1		


LED Assy. No.	Peak Wave Length $\lambda_p$ (nm)	Emitted Color	Lens Appearance	Electro-Optical Data @ 20mA		Viewing Angle
				Vf (VAC/DC)	Iv (mcd)	
				TYP	TYP	
PM5-S17R28V	630	RED	RED DIFFUSED	12-28 VAC/VDC	600	120
PM5-S17Y28V	585	YELLOW	YELLOW DIFFUSED	12-28 VAC/VDC	600	120
PM5-S17G28V	515	GREEN	GREEN DIFFUSED	12-28 VAC/VDC	800	120
PM5-S17B28V	465	BLUE	BLUE DIFFUSED	12-28 VAC/VDC	400	120
PM5-S17R110AC	630	RED	RED DIFFUSED	110 VAC	600	120
PM5-S17Y110AC	585	YELLOW	YELLOW DIFFUSED	110 VAC	600	120
PM5-S17G110AC	515	GREEN	GREEN DIFFUSED	110 VAC	800	120
PM5-S17B110AC	465	BLUE	BLUE DIFFUSED	110 VAC	400	120

LED Assy. No.	Chromaticity Coordinates	Emitted Color	Lens Appearance	Electro-Optical Data @ 20mA		Viewing Angle
				Vf (VAC/DC)	Iv (mcd)	
				TYP	TYP	
PM5-S17W28V	X=0.31, Y=0.32	WHITE	WHITE DIFFUSED	12-28 VAC/VDC	1200	120
PM5-S17W110AC	X=0.31, Y=0.32	WHITE	WHITE DIFFUSED	110 VAC	1200	120



## ABSOLUTE MAXIMUM RATINGS (Ta = 25°C)

MAXIMUM POWER DISSIPATION \_\_\_\_\_ 825 mW  
 OPERATING TEMPERATURE RANGE \_\_\_\_\_ -40°C ~ 95°C  
 STORAGE TEMPERATURE \_\_\_\_\_ -40°C ~ 100°C

STANDARD TOLERANCE ( UNLESS OTHERWISE SPECIFIED )		<b>BIVAR</b> <sup>®</sup> 4 THOMAS, IRVINE, CA. 92618 TEL: (949) 951-8808 FAX: (949) 951-3974	
DECIMALS	ANGULAR		
DESIGNED: <b>Raffy Paje</b>	DATE: <b>02/23/11</b>	 <b>TITLE: WATER TIGHT PANEL MOUNT LED ASSEMBLY, 12.7MM MOUNTING</b> <b>PART NO: PM5-S17XXX</b> <b>REVISION: B</b>	
CHECKED: <b>T. Yin</b>	DATE: <b>02/23/11</b>		
		<b>CAGE CODE : 32559</b>	<b>SHEET # 2 OF 2</b>
<small>CAD GENERATED DOCUMENT, DO NOT MEASURE DRAWING.</small>			