

SPECIFICATIONS

Mechanical

Contact Retention Force: 0.50Kg min.

Electrical

Voltage Rating: 750V

Current Rating: 2.75A

Contact Resistance: 10mΩ max.

Dielectrical Withstanding Voltage: 1000V

Insulation Resistance: 1000MΩ min.

Physical

Housing: LCP, UL 94-0 rated, Ivory White

Contact: Phosphor Bronze

Plating: See "ORDERING INFORMATION"

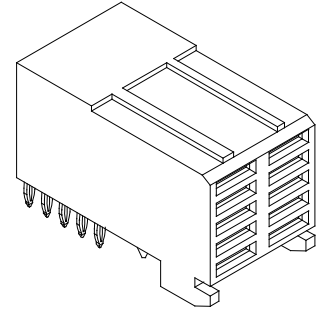
FUTURE BUS CONNECTOR

1F Series

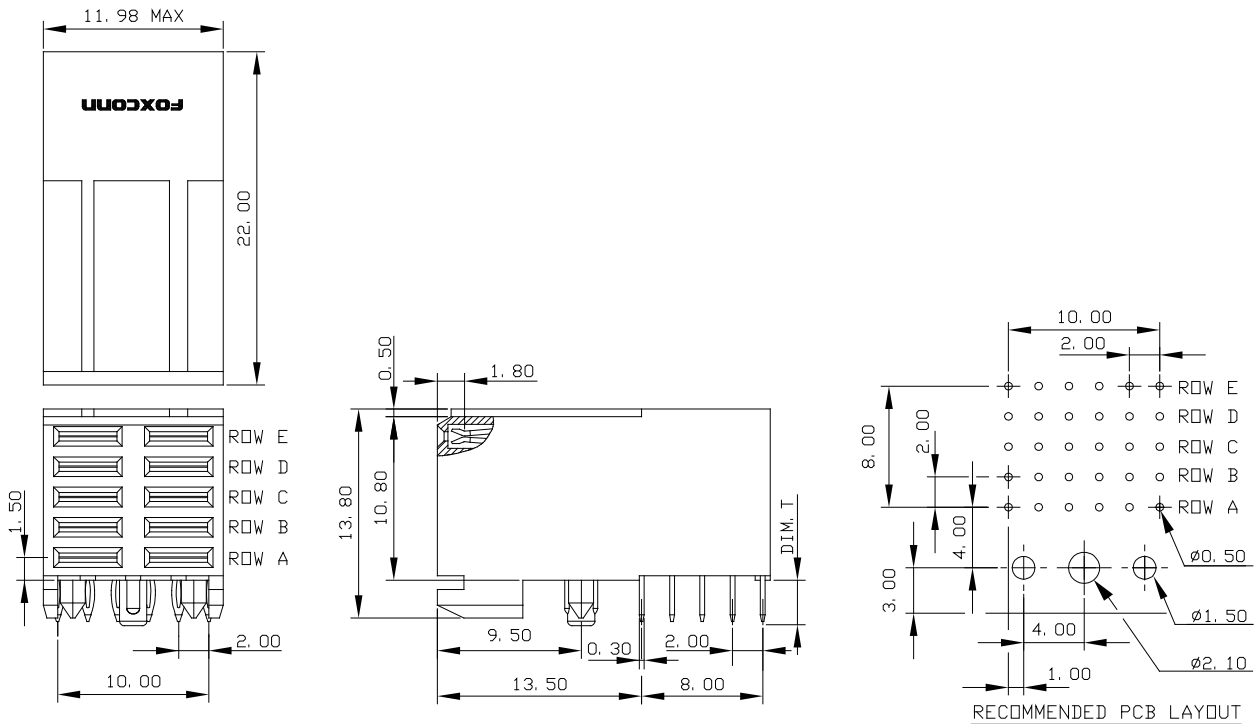
Power Rec. Press Fit Type

2.0mm Pitch

5 Rows



DRAWING



ORDERING INFORMATION

PRODUCT NO.: 1 F 2 4 0 1 0 * - P * 0 1 0 * - **

- POS. NO.(N) ———— 010: 10 POS.
- Mating Area Plating, ————
 - 1 : GOLD FLASH
 - 3 : 0.76um(30u")MIN. GOLD PLATING
 - 5 : 1.27um(50u")MIN. GOLD PLATING
 - 6 : 0.25um(10u")MIN. GOLD PLATING
 - A : 0.76um(30u")MIN. FPT PLATING, 0.25um(10u")MIN. GOLD PLATING
- Tail Style ———— P : PRESS FIT TYPE
- Tail Length (DIM.T) ———— 2 : 2.73mm
- Lead Free Code ———— N: NONE, F: LEAD FREE PLATING
- Package Type ———— A: TUBE
- Extension Code ———— N,T,L,M
- Body Style ———— 10: STANDARD PART