

## ■ XLR Features

- Rugged design to withstand extreme field use.
- Resilient socket insulator which maximizes performance in humid conditions and minimizes vibration and electrical noise.
- Highly reliable machined contacts
- Quick disconnect latch lock
- Low reflectivity satin finish
- Interchangeable & intermateable with XLB2, XLA, XLG, XLB-PC, XLM

## ■ Applications

- Microphones
- Test Instruments
- Mixers
- D/C Converters
- Amplifiers
- TV Cameras
- Speakers
- VCRs
- Medical Instruments
- Tuners
- Equalizers

## ■ Standard Data

### ● Specifications(Detail p4)

Rated Current	5A-15A
Service Voltage	133VAC
Dielectric Withstanding Voltage	1400VAC
Insulation Resistance	5000M $\Omega$ min.at 500VDC
Contact Resistance	2A, 3, 4, : 5m $\Omega$ MAX 5, 6, 6A, 7 : 10m $\Omega$ MAX

### ● Materials(Finishes)

Contacts	Copper Alloy(Silver) (Gold contacts available)
Insulator Socket	Chloroprene
Pin	Nylon
Shell	Aluminum Alloy (Satin Nickel)
Barrel	Steel
Bushing	Chloroprene

## ■ How To Order

**XLR-3-11C-\*\*-\*\***

### ● Series Prefix

### ● Contact Arrangements

2A, 3, 4, 5, 6, 6A, 7 (SEE PAGE 4)

### ● Shell Styles

- 11C — Female Plug
- 12C — Male Plug
- 13 — Female Round Flange Receptacle
- 14 — Male Round Flange Receptacle
- 31 — Female Flange Receptacle
- 32 — Male Flange Receptacle

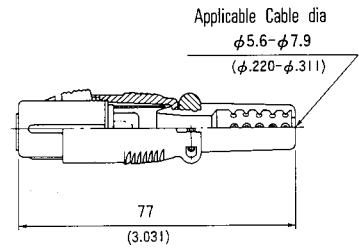
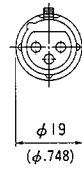
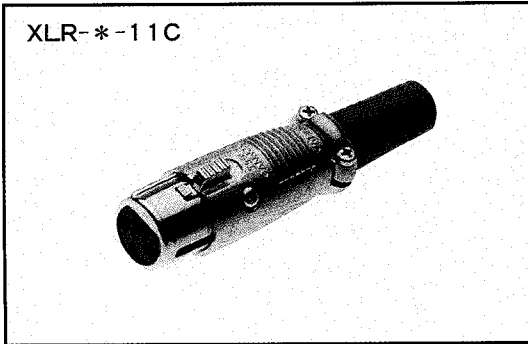
### ● Modifications

- F77 — Rectangular Small Flange (Receptacle 31 and 32)
- F512 — Rectangular Mini-Flange (Receptacle 32 only)
- A176 — Gold Plated Contacts

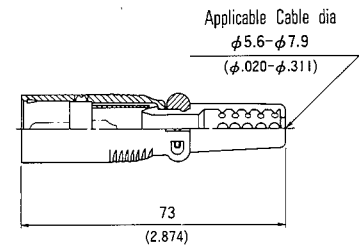
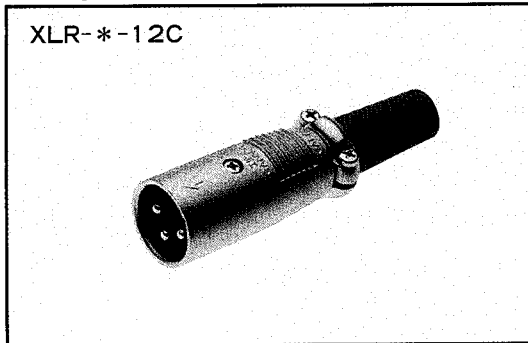
**\* Black shell available. Contact Factory**

## Plugs

### Female Plug

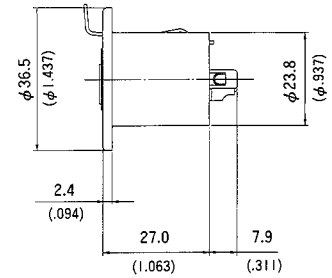
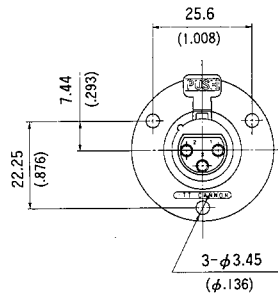
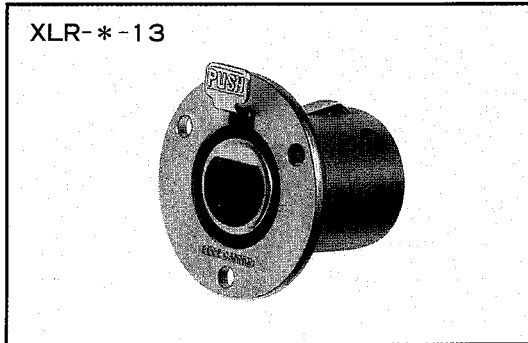


### Male Plug

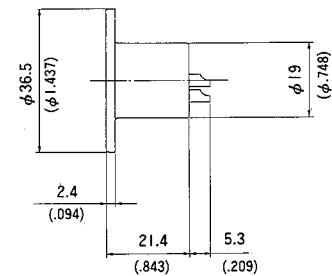
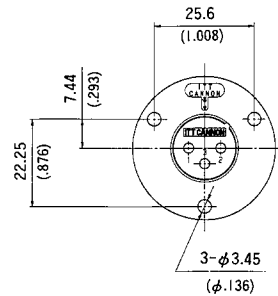
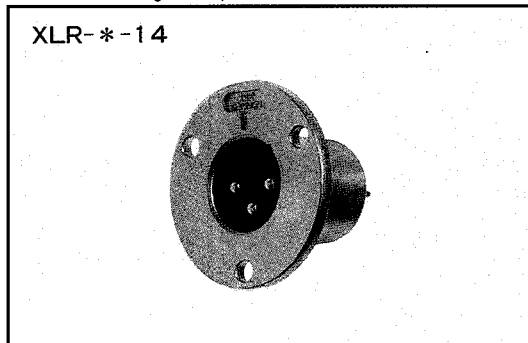


## Receptacles

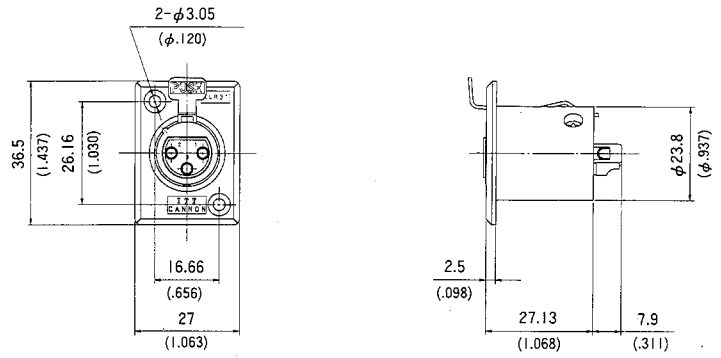
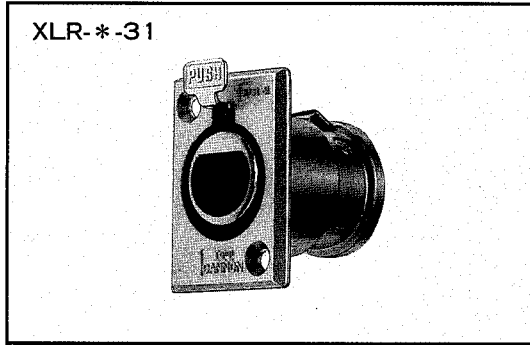
### Female Round Flange Receptacles



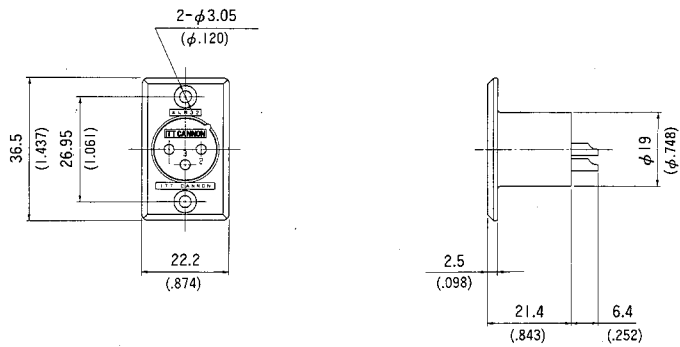
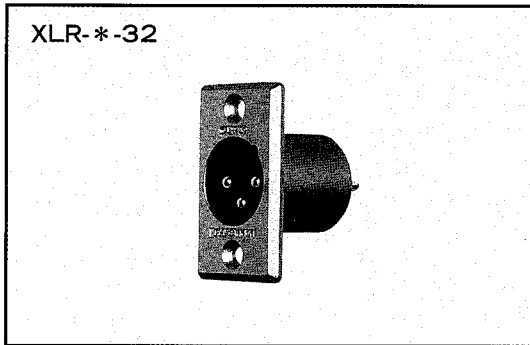
### Male Round Flange Receptacles



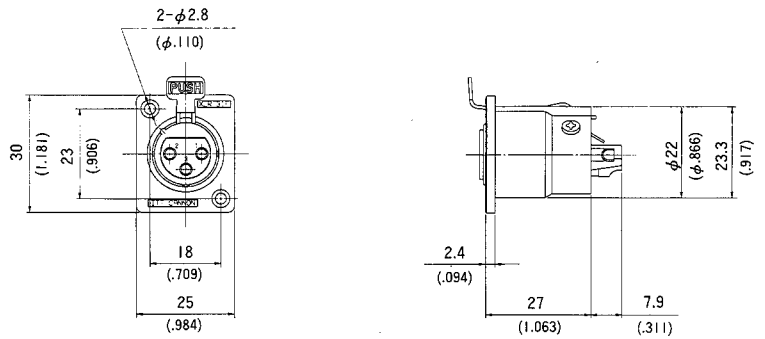
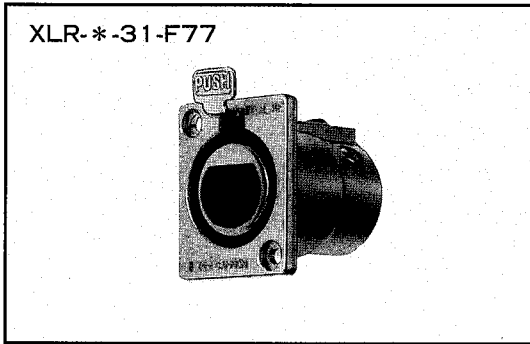
## Female Flange Receptacle



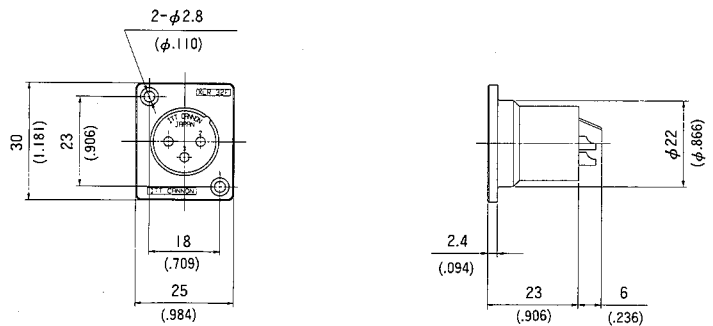
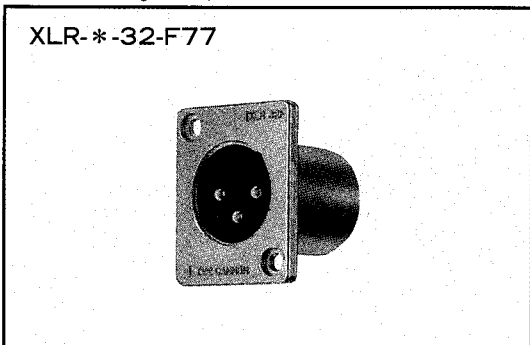
## Male Flange Receptacle



## Small Female Flange Receptacle

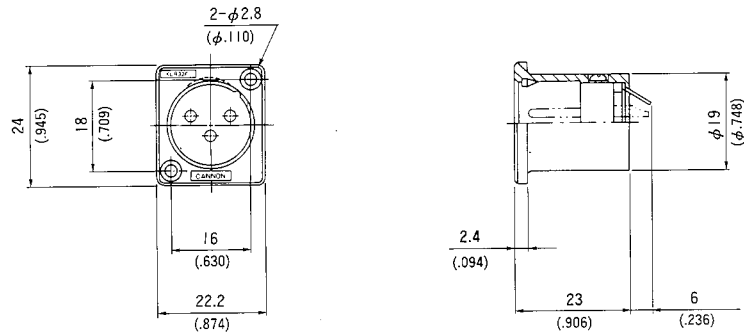
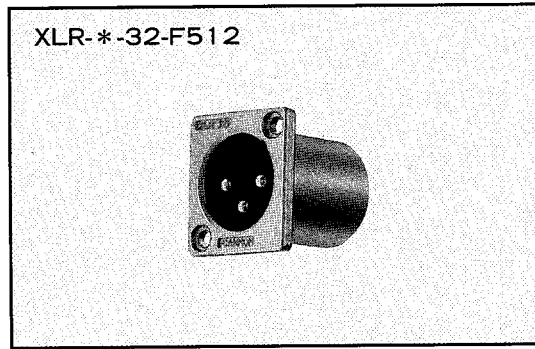


## Small Male Flange Receptacle



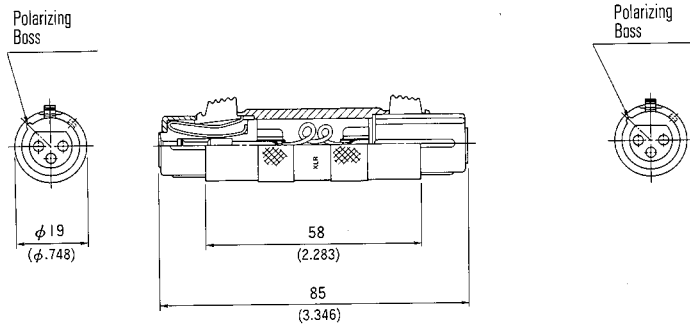
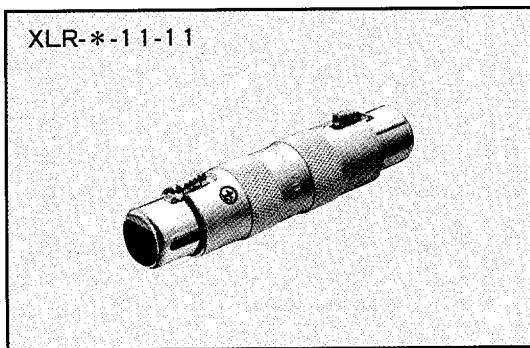
# XLR

## Male Mini Flange Receptacle

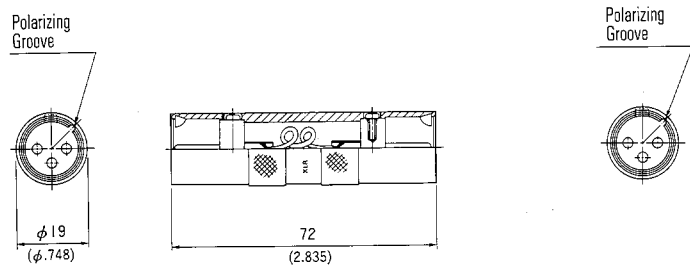
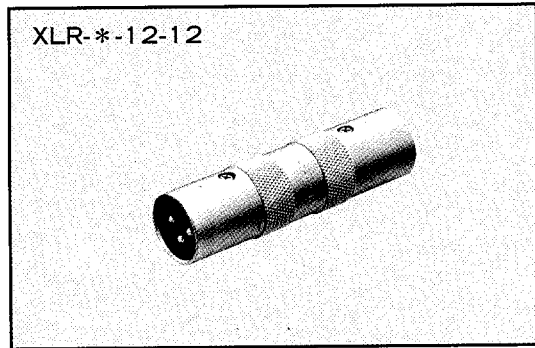


## Bulkhead-Adapters

### Female-Female Bulkhead



### Male-Male Bulkhead



## Dust Caps

	Plastic	Metallic	For use with (Shell styles)
Female Cap	<p>XLR-SDC</p>	<p>XLR-13RC</p>	11, 11B, 11C, 13, 31, 31B, 41, 41B, 31-F77
Male Cap	<p>XLR-PDC</p>	<p>XLR-14PC</p>	12, 12B, 12C, 14, 32, 32B, 42, 42B, 32-F77, 32-F512