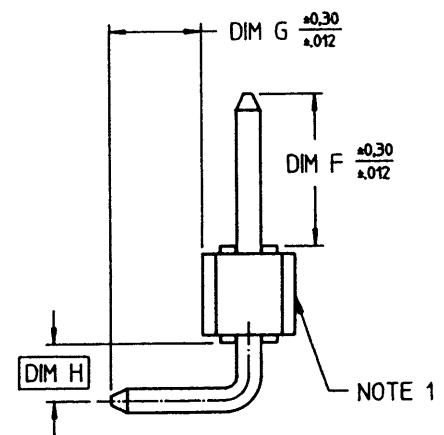
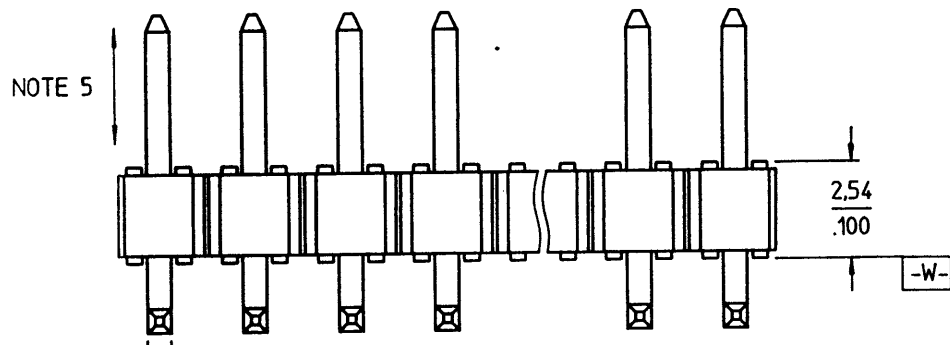
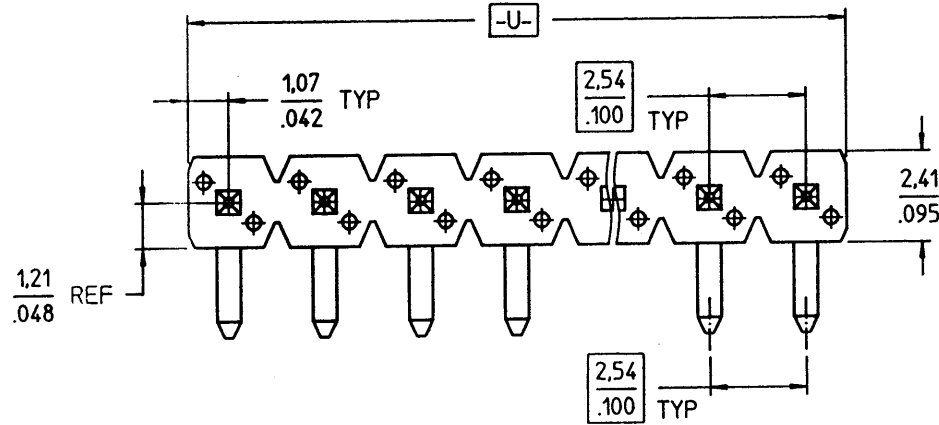


PRODUCT NO
SEE TABLE

REV	DESCRIPTION	REV'D BY	DATE
A	RLSD LCR S30044	J.LONG	27SEPT93
B	ECR S30412	J.LONG	05NOV93
C	ECR S30472	J.LONG	17DEC93
D	ECR K40044	WW LEE	07NOV94



NOTE 5

SQ $\frac{0,64 \pm 0,03}{.025 \pm .001}$ TYP

ϕ 0,70 / .028 (M) U (M) W

NOTE 3

CUSTOMER COPY

GEN. TOLERANCES X.X±0.3 / .XX±.01 X.XX±0.13 / .XXX±.005 X.XXX±0.05 / .XXX±.0020 ANGLES = ±2°		DO NOT SCALE DWG. 			
NAME BK CHUA		DATE 07NOV94			DESCRIPTION ECON-STIK HEADER .100/2,54 cc S/R R/A
DRAWN		DATE 07NOV94		PRODUCT NO. 92847	
CHECKED <i>Wong</i>		DATE 2/4/94		SCALE SHT 1 OF 2	
APPROVED <i>PS</i>					

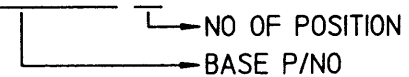
PRODUCT NO	NO. OF POS.	MATING LENGTH	TAIL LENGTH	BEND LENGTH	PLATING TYPE
		DIM. F	DIM. G	DIM. H	
92847-001-XX	1 THRU 36	5,84 / .230	2,41 / .095	1,52 / .060	2u" Au OVER 50u" Ni
92847-002-XX	1 THRU 36	8,08 / .318	2,41 / .095	1,52 / .060	2u" Au OVER 50u" Ni

REV
A
B
C
D

NOTES :

- ① BODY MATERIAL : 20% MIN. GLASS FILLED NYLON.
FLAME RETARDANT PER UL-94V-0.
COLOR : BLACK.
- 2 PIN MATERIAL : BRASS.
- ③ MEASURED WITH PART IN RESTRAINED CONDITION.
- 4 TWO SIDES OF PIN TIPS NOT PLATED. TYPICAL BOTH ENDS.
- ⑤ 2 LBS / 0,9 KG MIN PIN RETENTION IN EITHER DIRECTION.
- 6 PACKAGE IN POLY BAGS PER BUS-14-099.
- 7 PART NO CONSIST OF

92847-XXX-XX



CUSTOMER COPY

GEN. TOLERANCES XX±0.3/,XX±.01 X,XX±0.13/,XXX±.005 X,XXX±0.051/,XXXX±.0020 ANGLES = 42°	DO NOT SCALE DWG.		
	NAME	DATE	PRODUCT NO. 92847 SCALE SHT 2 OF 2
DRAWN	BK CHUA	07NOV94	
CHECKED	<i>Wan</i>	<i>07/11/94</i>	
APPROVED	<i>[Signature]</i>	<i>7/4/94</i>	