

LOW-PROFILE FLEX-FIT™ COMPLIANT CONTACT HEADERS

.100" x .100" CENTERS



PHYSICAL PROPERTIES

INSULATION MATERIAL: Glass filled thermoplastic rated UL 94V-0

COLOR: Blue

CONTACT MATERIAL: Phosphor bronze with 30µ inches min. gold over 50µ inches min. nickel in contact zone; tin/lead over nickel in termination area.

PCB THICKNESS ACCOMMODATED: .062" - .125"

ELECTRICAL PROPERTIES

CURRENT RATING: 1 Amp

INSULATION RESISTANCE: >1 x 10⁹ Ohms @ 500 VDC

DIELECTRIC STRENGTH: >1000 VRMS @ sea level

ENVIRONMENTAL PROPERTIES

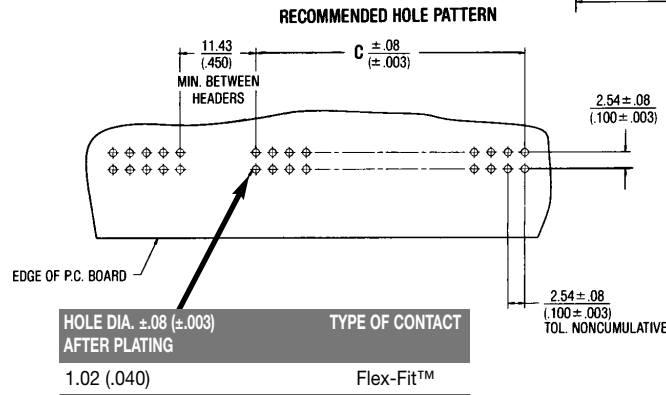
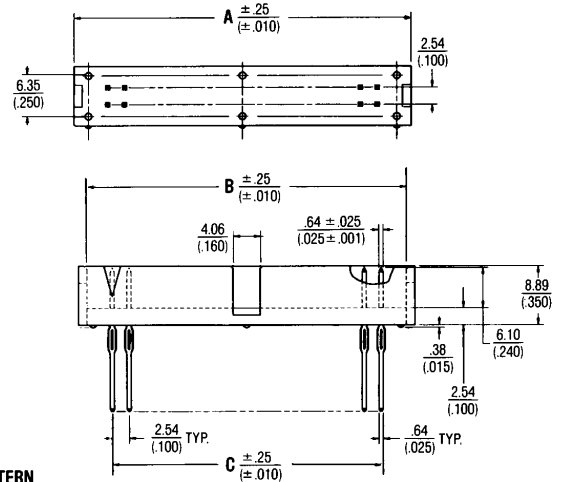
TEMPERATURE RATING: -55°C TO 125°C

MATING CONNECTORS

FEMALE SOCKETS: See pages 9-13

APPLICATION TOOLING

889-H7XX (XX = # positions)



Ordering Information

STANDARD W/O EJECTORS	WITH "E" EJECTOR	WITH "ES" EJECTOR	NO. OF POS.	DIMENSIONS IN MM (INCHES)			
				A W/EJECTOR	B	C	
609-10700-2	609-10710-2	609-10720-2	10	20.32 (0.800)	31.75 (1.250)	17.78 (.700)	10.16 (0.400)
609-14700-2	609-14710-2	609-14720-2	14	25.40 (1.000)	36.83 (1.450)	22.86 (0.900)	15.24 (0.600)
609-16700-2	609-16710-2	609-16720-2	16	27.94 (1.100)	39.37 (1.550)	25.40 (1.000)	17.78 (0.700)
609-20700-2	609-20710-2	609-20720-2	20	33.02 (1.300)	44.45 (1.750)	30.48 (1.200)	22.86 (0.900)
609-24700-2	609-24710-2	609-24720-2	24	38.10 (1.500)	49.53 (1.950)	35.56 (1.400)	27.94 (1.100)
609-26700-2	609-26710-2	609-26720-2	26	40.64 (1.600)	52.07 (2.050)	38.10 (1.500)	30.48 (1.200)
609-34700-2	609-34710-2	609-34720-2	34	50.80 (2.000)	62.23 (2.450)	48.26 (1.900)	40.64 (1.600)
609-36700-2	609-36710-2	609-36720-2	36	53.34 (2.100)	64.77 (2.550)	50.80 (2.000)	46.18 (1.700)
609-40700-2	609-40710-2	609-40720-2	40	58.42 (2.300)	69.85 (2.750)	55.88 (2.200)	48.26 (1.900)
609-44700-2	609-44710-2	609-44720-2	44	63.50 (2.500)	74.93 (2.950)	60.95 (2.400)	53.34 (2.100)
609-50700-2	609-50710-2	609-50720-2	50	71.12 (2.800)	82.55 (3.250)	68.58 (2.700)	60.96 (2.400)
609-56700-2	609-56710-2	609-56720-2	56	78.74 (3.100)	90.17 (3.550)	76.20 (3.000)	68.58 (2.700)
609-60700-2	609-60710-2	609-60720-2	60	83.82 (3.300)	95.25 (3.750)	81.28 (3.200)	73.66 (2.900)
609-64700-2	609-64710-2	609-64720-2	64	88.90 (3.500)	100.33 (3.950)	86.36 (3.400)	78.74 (3.100)