

wiecon Type 8513S/...THR Pin header for reflow process

Characteristics

- Particularly suitable for the through-hole reflow process of SMT technology
- High temperature stability in accordance with EN 61760-1
- Highly accurate spacing that fits the PC board and mating connector
- Ready for automatic placement
- Tape on reel, 2 - 12 pole
- Straight and angled designs, 2 - 20 pole
- Standard color black (similar to RAL 9005)



Advantages

- Applicable in the lead-free reflow process
- High solder pad distances due to 0.8 x 0.8 pin
- High CTI value
- Placement possible on both sides of the PCB
- Max. 380 pieces per reel
- No manual or wave soldering

Description	
wiecon Type 8513S/...G/W THR	
PCB pin header	
Spacing	3.5 mm
Number of poles	
Box	2 - 20
Tape on reel	2 - 12
Tray	Available on request
Pieces per reel	
Straight	220 pieces
Angled	380 pieces
Rated current	8 A (UL) 5 A (CSA)
Rated voltage	125 V (DIN EN 60664-1) 300 V (UL, CSA)
Rated peak voltage	2.5 kV
Pin dimensions	0.8 x 0.8 mm
Pin lengths	2.6 mm, single-side placement 1.5 mm, double-side placement
Pollution degree	3
Material	PPA
- CTI	> 600
- Halogen-free	yes
- RoHS	compliant
Temperature range	- 40° C – + 280° C
- Dimensional stability at max. temperature	+ 280° C
Flammability according to UL 94	V0
Approvals	UL, CSA



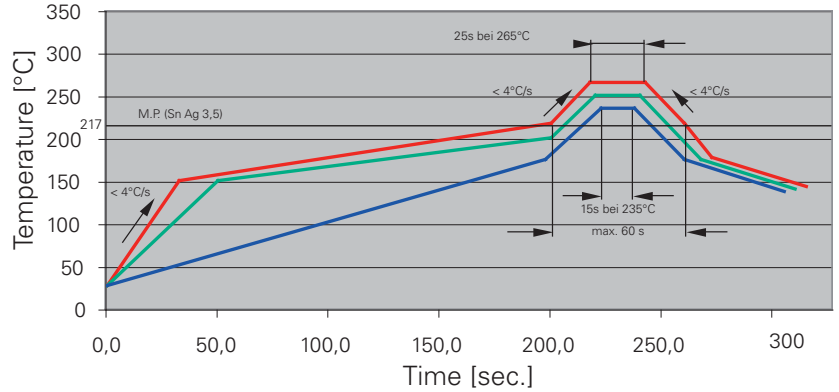
Headquarters:
Wieland Electric GmbH
Brennerstraße 10-14
D-96052 Bamberg

Sales and Marketing Center:
Wieland Electric GmbH
Benzstraße 9
D-96052 Bamberg

Phone +49 (951) 93 24-0
Fax: +49 (951) 93 24-198
www.wieland-electric.com

Technical information

Temperature profile



AT Wieland

Components and system components for the control cabinet

- DIN rail terminal blocks
 - with screw connection
 - with spring clamp connection
 - with IDC connection
- Safety
 - Safety relays
 - Modular safety systems
- Fieldbus components
- Interface
 - Power supplies
 - Overvoltage protection
 - Measuring and monitoring relays
 - Time and switching relays
 - Coupling relays/solid state relays
 - Analog modules
 - Passive interfaces

Components and system components for field applications

- Remote automation
 - Remote power distribution
 - Remote fieldbus interface
- Industrial multipole connectors
 - Modular multipole connectors
 - High-density multipole connectors
 - High-current multipole connectors
 - Multipole connectors for hazardous areas
 - Bushings for control cabinets
 - D-Sub connectors
- Round connectors

Empty housings and appliance connectors/terminal strips

AT Schleicher

- PLC systems and CNC based control systems
- Operator panels
- Application engineering & system solutions
- Customized products

BIT Wieland

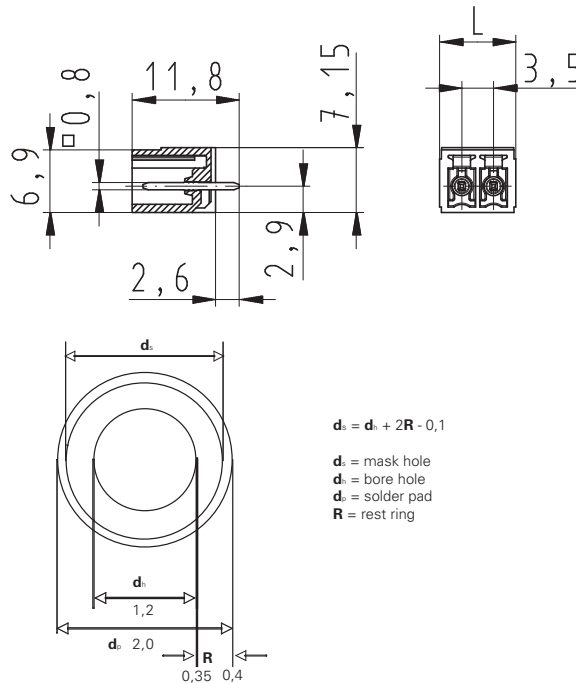
- Building installation systems
 - Mains connectors IP20/IP65...IP68
 - Bus connectors
 - Combined connectors
 - Low-voltage connectors
 - Flexible flat cable systems
 - Distribution systems
 - Switching devices for EIB/KNX, LON, Ethernet, radio control
 - DIN rail terminal blocks for electrical installations
 - Overvoltage protection

PCB connectors Wieland

- PC board terminals/PC board connectors
 - with screw connection
 - with spring clamp connection
 - with TOP connection

- max. Profil / maximum profile
- empfohlenes Profil / recommended profile
- min. Profil / minimum profile
- Schmelzpunkt / Melting Point (M.P.)

Dimensions



xx = number of poles

Packaging:	Box		Tape on reel
8513S/2 G THR OB	25.646.0206.0	8513S/2 G THR OB	25.646.0216.0
8513S/3 G THR OB	25.646.xx06.0	8513S/3 G THR OB	25.646.xx16.0
8513S/2 W THR OB	25.647.0206.0	8513S/2 W THR OB	25.647.0216.0
8513S/3 W THR OB	25.647.xx06.0	8513S/3 W THR OB	25.647.xx16.0