

SPECIFICATIONS

Switch

Mechanical

Operating Force & Durability: 50gf max 200000 Cycles
On-off position: 5.20±0.40mm.

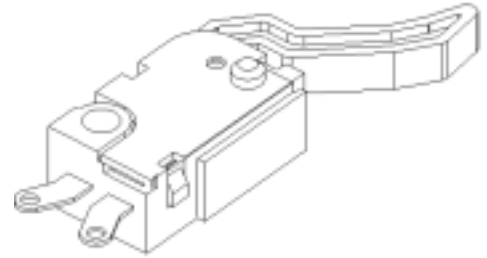
Electrical

Rating: 1mA 5V DC.
Contact Resistance: 500m max.
Insulation Resistance: 100M min.
Dielectric Withstanding Voltage: 500V AC for 1 Minute
Bounce: on Bounce 1ms max. off Bounce 1ms max.

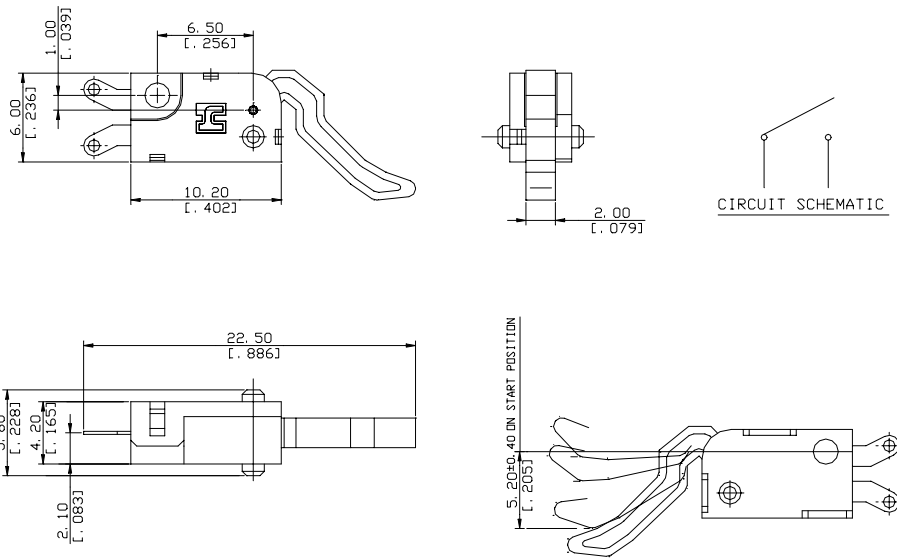
Physical

Housing: Thermoplastic, UL 94V-0 rated in black Color
Contact: Copper alloy
Plating: See "ORDERING INFORMATION"
Solder Pad: Copper alloy
Operating Temperatures: -20 to +70

Detector Series
Rotary Type
3.8mm [.149"] Pitch
2 Pos.



DRAWING



ORDERING INFORMATION

PRODUCT NO.: 1BD007-***-***

